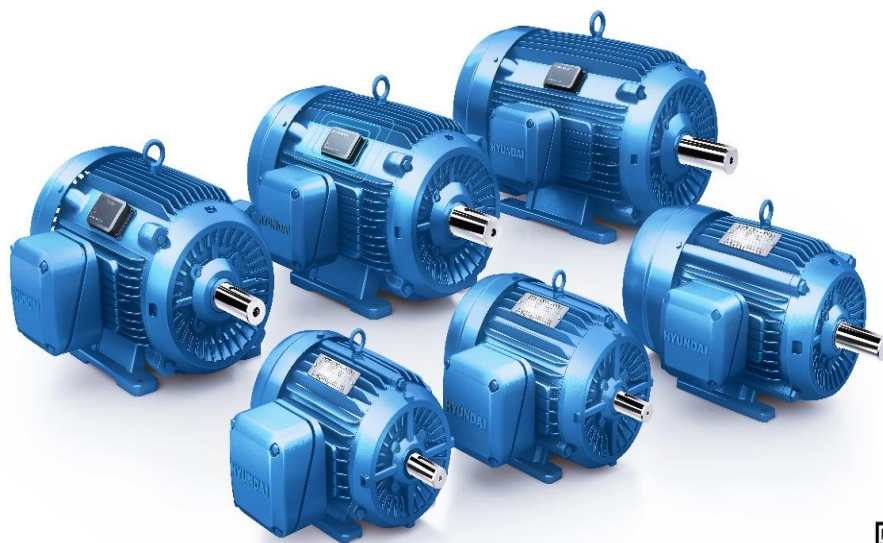


Customer :  
Project Name :  
Project No. :  
Revision No. :

# SPECIFICATION for INDUCTION MOTOR



0		For Bidding			
No.	DATE	DESCRIPTION	PREPARED BY	CHECKED BY	APPROVED BY




1	2	3	4
REV	DATE	CONTENTS	REVD BY CHKD BY CHKD BY APPD BY

# MAIN NAMEPLATE

4.72

## CROWN TRITON


Premium Efficiency AC 3 Phase Motor



800HP	2P	460V	Cat. No.	HSDE800-36-5812S-IBSHSP-F		
Model	-		INS. Class	F	Amps	883.2A
Type	HNE6	Duty	CONT	Code	G	Amb. 40°C
Frame	5812S	Encl.	TEFC	S.F.	1.15	RPM 3570
Bearing	Drive	6317C3			S.F.1.00 (2:1 C.T., 10:1 V.T., NEMA-MG1 Part31)	3/4 Eff. 94.8%
	Opp.	6317C3-INS.				NEMA Design B Torque
Usable at	50Hz 600HP 380V 811.0A 2970rpm S.F.: 1.15 Eff.: 95.8% Code: G					
	50Hz 600HP 400/415V 770.4/751.1A 2972/2975rpm S.F.: 1.15 Eff.: 95.8/95.8% Code: H/J					
CSA Certified for	CLASS I, Div. 2, Gr. A, B, C & D			Temp. Code	Frame	580FR
					Maximum Amb. 50°C	T3A (180°C)
No.	-			Date	-	
	4M-136358				Weight 6730 lb	


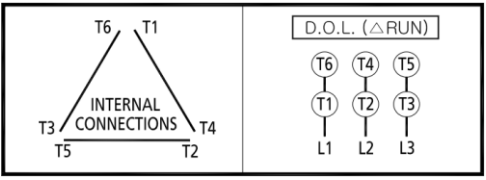
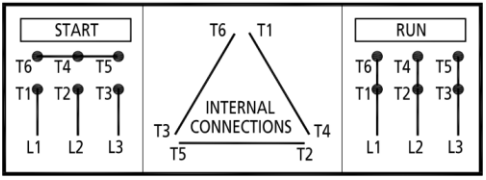

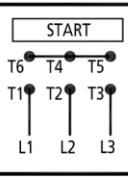
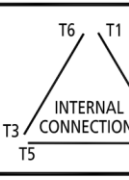
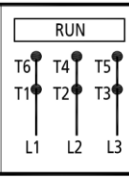
4M-136358


Made in Korea H1



2.36

# WIRING DIAGRAM

D.O.L (INVERTER & SOFT STARTER)	WYE-DELTA (Y-D)
<div style="border: 1px solid black; padding: 10px;">  <h3>WARNING</h3> <p>IMPROPER INSTALLATION, CONNECTION, OPERATION, GROUNDING OF THIS MOTOR MAY CAUSE SERIOUS INJURY TO PERSONNEL OR MOTOR FAILURE. READ INSTRUCTIONS CAREFULLY. GROUNDING SHOULD BE IN ACCORDANCE WITH THE NATIONAL ELECTRIC CODE AND APPLICABLE LOCAL SOUND PRACTICES.</p> <div style="display: flex; justify-content: space-around;"> <div style="text-align: center;">  <p>D.O.L. (Δ)RUN</p> </div> <div style="text-align: center;">  <p>WYE-DELTA (Y-D)</p> </div> </div> <p>KEEP FINGERS AND FOREIGN OBJECTS AWAY FROM OPENINGS AND ROTATING PARTS DISCONNECT ALL POWER SOURCES BEFORE TOUCHING INTERNAL PARTS TO AVOID ELECTRICAL SHOCK.</p> <p style="text-align: right; font-size: small;">4M-129326</p> </div>	<div style="border: 1px solid black; padding: 10px;">  <h3>WARNING</h3> <p>IMPROPER INSTALLATION, CONNECTION, OPERATION, GROUNDING OF THIS MOTOR MAY CAUSE SERIOUS INJURY TO PERSONNEL OR MOTOR FAILURE. READ INSTRUCTIONS CAREFULLY. GROUNDING SHOULD BE IN ACCORDANCE WITH THE NATIONAL ELECTRIC CODE AND APPLICABLE LOCAL SOUND PRACTICES.</p> <div style="display: flex; justify-content: space-around;"> <div style="text-align: center;">  <p>START</p> </div> <div style="text-align: center;">  <p>WYE-DELTA (Y-D)</p> </div> <div style="text-align: center;">  <p>RUN</p> </div> </div> <p>KEEP FINGERS AND FOREIGN OBJECTS AWAY FROM OPENINGS AND ROTATING PARTS DISCONNECT ALL POWER SOURCES BEFORE TOUCHING INTERNAL PARTS TO AVOID ELECTRICAL SHOCK.</p> <p style="text-align: right; font-size: small;">4M-128852</p> </div>

APPD BY	S.Y.KIM	UNIT	INCH	SUBJECT	CSA Class I, Division2 Severe Duty (HSDE ,500-5812)	DWG SIZE
CHKD BY	I.K.KIM	SCALE	NONE			A4 ( 1:1 )
CHKD BY	R.G.KIM	PROJEC'N	3rd Angle	NAMEPLATE DRAWING		
DSND BY	S.H.LEE	DATE	2024.06.07			
				REF. NO	4M-136358 / 4M-129326	Sheet No. of
				DWG NO	NP-HSDE800-36-5812S-IBSHSP-F	Revision No. 0



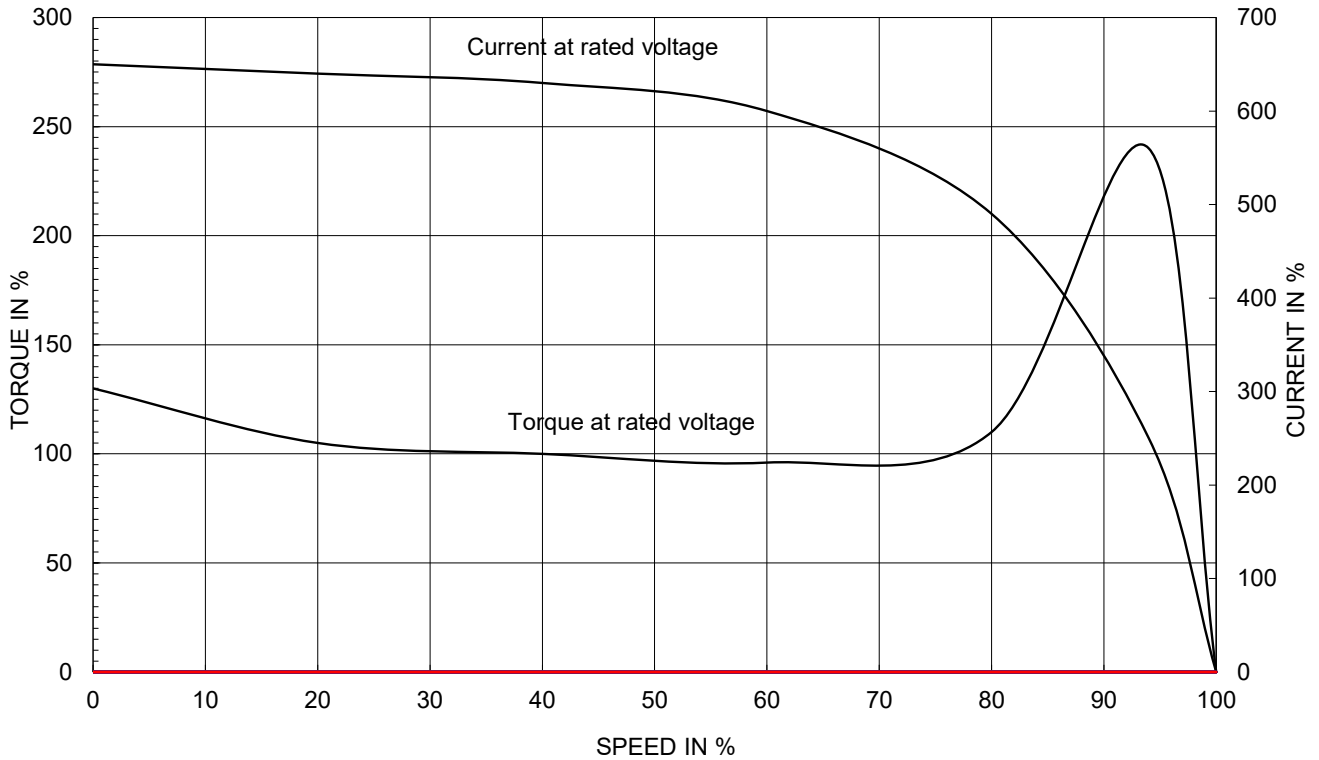
# PERFORMANCE CURVE

CURVE NO.  
PC-HSDE800-36-5812S-IBSHSP-F

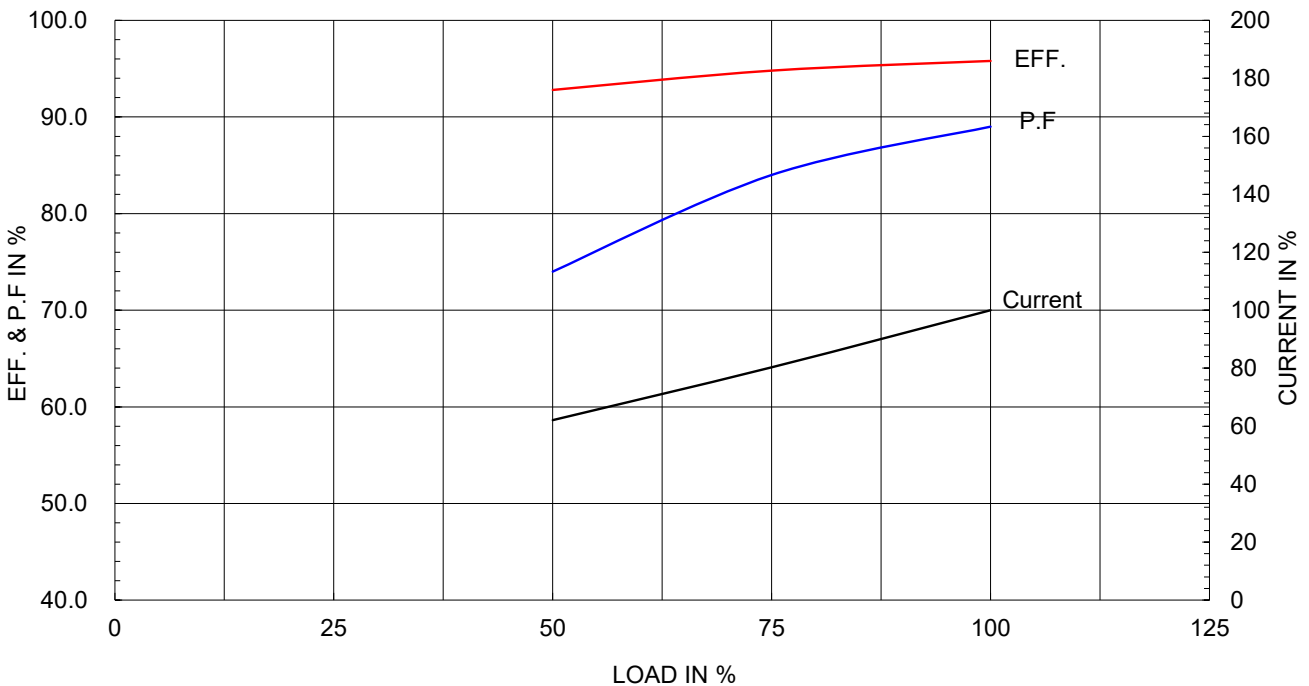
Type :	HNE6	
Full Load Torque :	1184.03	lb.ft
Load moment of Inertia (J) :	574.869	lb.ft2
Motor moment of Inertia (J) :	121.840	lb.ft2

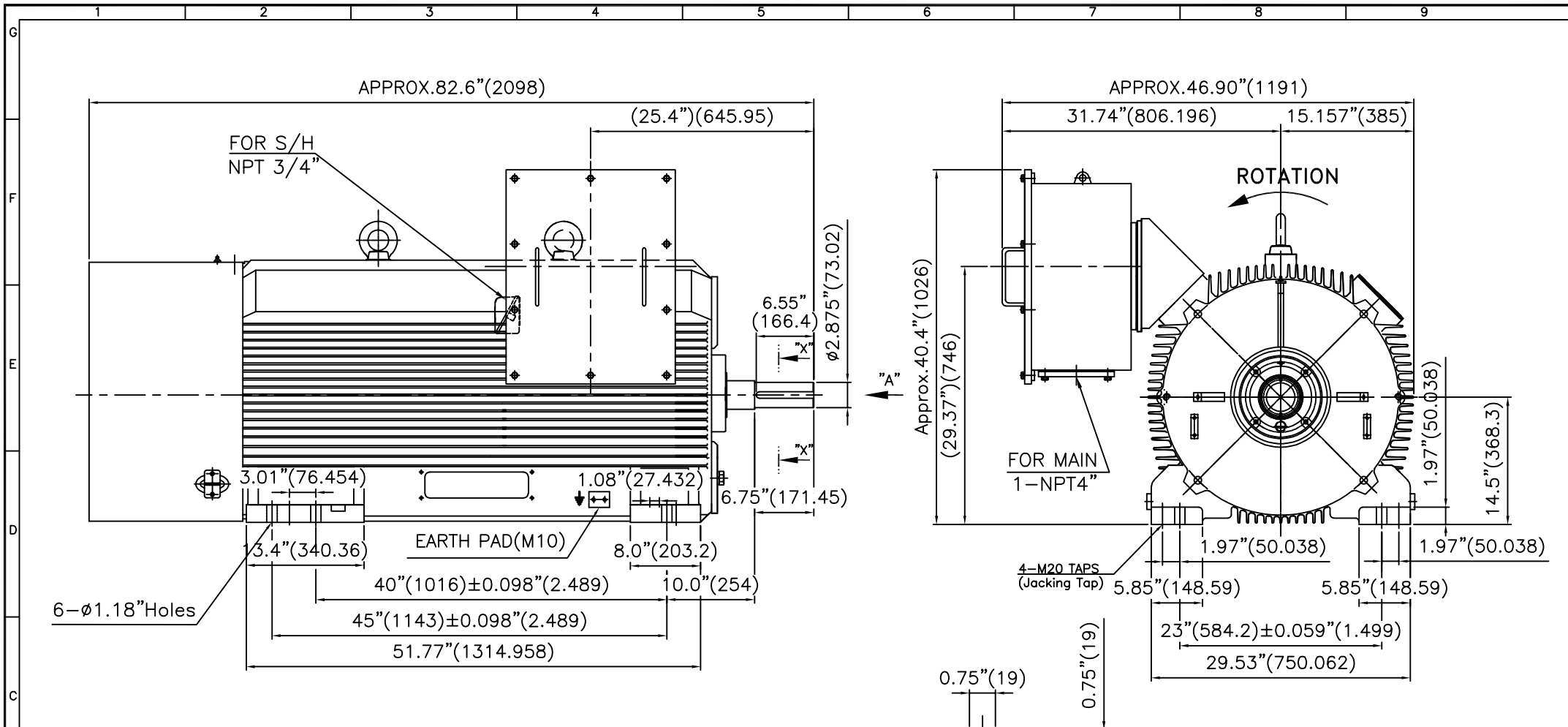
600kW 800HP	2 P	60 Hz
Speed at Full Load :		3570 RPM
Rated Voltage	575V	460V 230V
Full Load Current	706.6A	883.2A 1766.5A

SPEED VS TORQUE & CURRENT CURVE



OUTPUT VS EFF., P.F & CURRENT CURVE





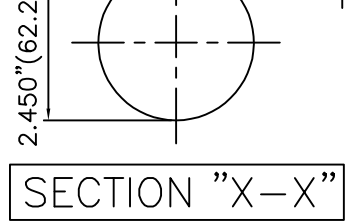
**TECHNICAL INFORMATION**

**1) BEARING & LUBRICANT LIST**

BEARING	Drive End	Non-Drive End
Bearing Type	6317C3	6317C3
Lubricant Type	GREASE	GREASE
Grease Type	Mobil(Polyrex-EM)	Mobil(Polyrex-EM)
Initial Charge Quantity	240 g	240 g
Mark-Up	Quantity	37 g
	Interval	1 MONTHS

**2) TOLERANCE :**

CENTER HEIGHT	14.5	+0.000	-0.060
SHAFT DIAMETER	Ø2.875	+0.000	-0.001
KEYWAY WIDTH	0.75	+0.003	-0.000



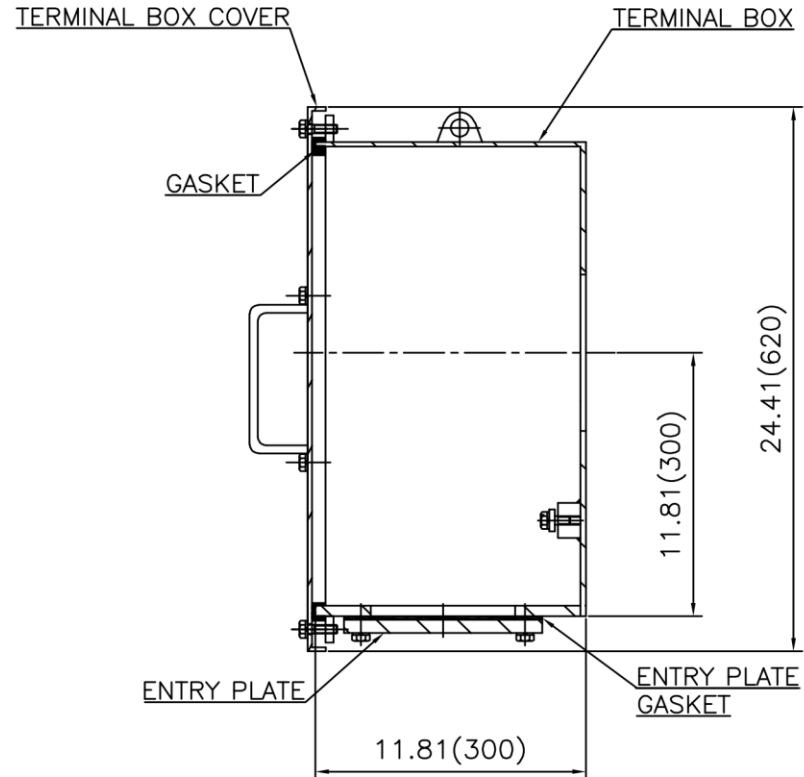
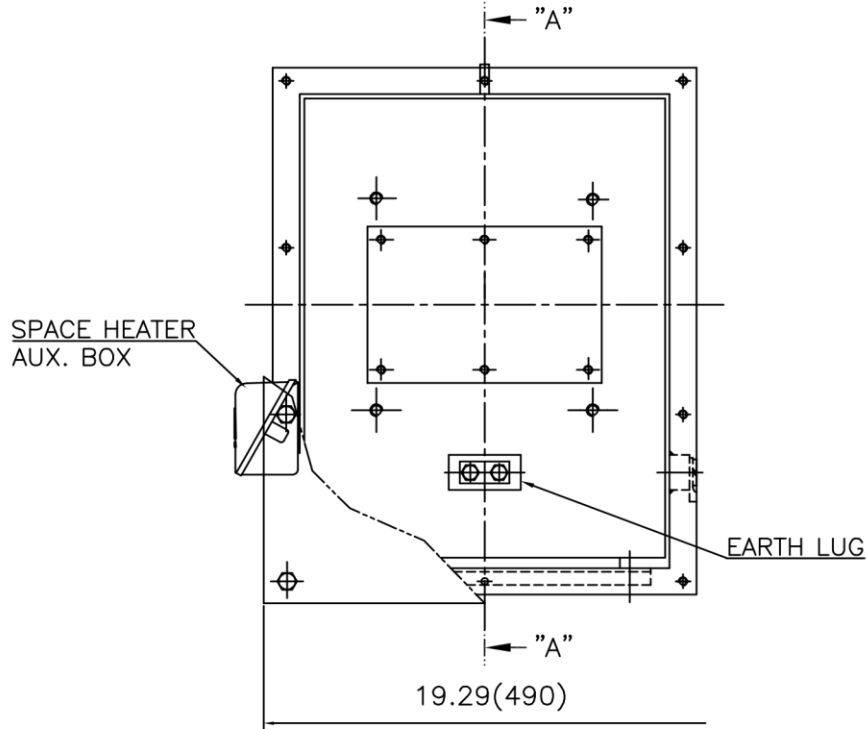
**VIEW "A"**

Q'TY	DESCRIPTION	MATERIAL	DIMENSION	WEIGHT	PART NO.	REMARK
APPD BY	S.K.HAN	UNIT	INCH(MM)	SUBJECT	Fr.5812-2P	
CHKD BY	S.Y.KIM	SCALE	1/12	TITLE	OUTLINE	
CHKD BY	R.G.KIM	PROJEC'N	3rd Angle	REF. NO		Sheet No. of
DSND BY	M.S.HA	DATE	2019.05.16	DWG NO	LM-T5812B3CE004	Revision No.



REV	DATE	CONTENTS	REVD BY	CHKD BY	CHKD BY	APPD BY
1						

# Cls. I&II, Div. 2 IEEE 841



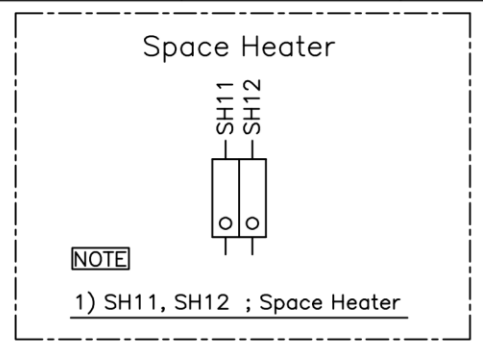
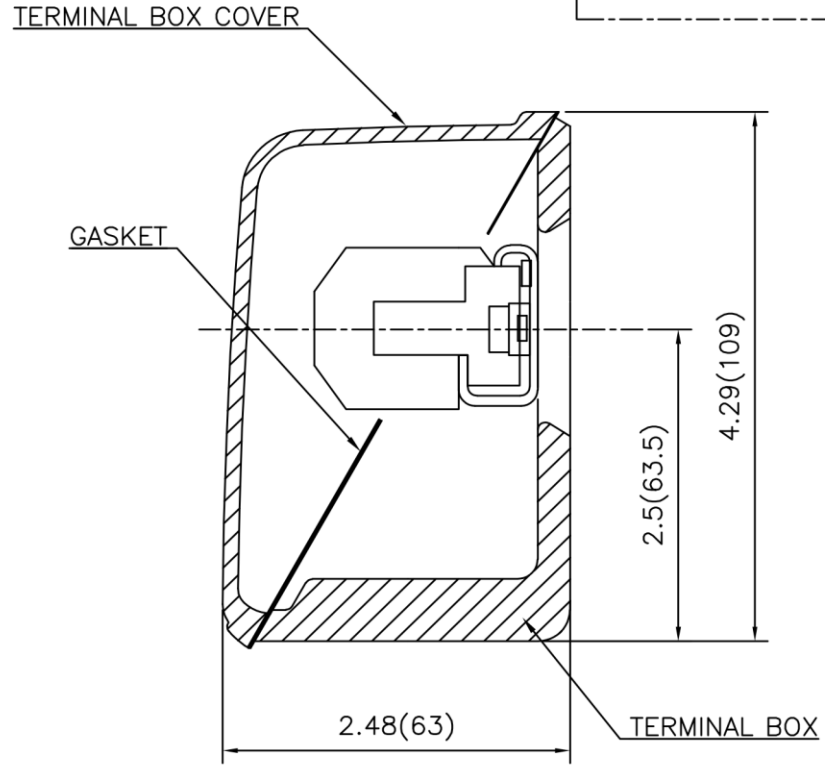
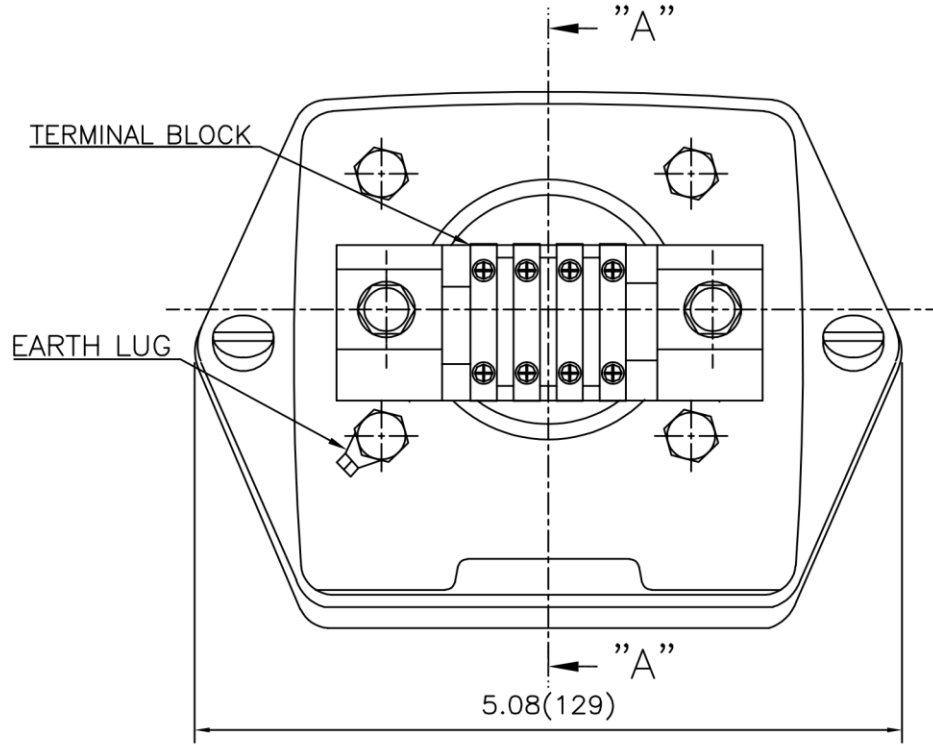
SEC. "A" - "A"

APPD BY	S.Y.KIM	UNIT	inch(mm)	SUBJECT	FR.580 (STEEL)	DWG SIZE	A3 (1:6)	
CHKD BY		SCALE	1/6	TITLE	MAIN TERMINAL BOX ASS'Y	REF. NO		
CHKD BY	R.G.KIM	PROJEC'N	3rd Angle	DWG NO		3M-248512	Sheet No.	of
DSND BY	내습희	DATE	2023-10-25	Revision No.		0		



REV	DATE	CONTENTS	REVD BY	CHKD BY	CHKD BY	APPD BY
1						
2						
3						
4						

**Cls. I&II, Div. 2  
IEEE 841**



APPD BY	S.Y.KIM	UNIT	inch(mm)	SUBJECT	FR.180 (CAST IRON)	DWG SIZE	A3 (1:1.1)
CHKD BY		SCALE	1/1	TITLE	SUB. TERMINAL BOX ASS'Y		
CHKD BY	R.G.KIM	PROJEC'N	3rd Angle	REF. NO		Sheet No.	of
DSND BY	백승희	DATE	2024-01-18	DWG NO	3M-165278	Revision No.	0

