

Customer :
 Project Name :
 Project No. :
 Revision No. :

SPECIFICATION for INDUCTION MOTOR



0		For Bidding			
No.	DATE	DESCRIPTION	PREPARED BY	CHECKED BY	APPROVED BY



AC INDUCTION MOTOR DATA SHEET

IEEE841 TYPE

Catalog No.	IEEE350-36-L449TSC-IBBRSRSHSP	Item No.	Rev. No. []
Project Name		Project No.	Quantity sets

GENERAL SPECIFICATION		PERFORMANCE DATA				
Frame Size	L449TSC	Rated Output	260 kW 350 HP			
Type	PJP	Number of Poles	2			
Enclosure(Protection)	Totally Enclosed / IP55	Rotor Type	Squirrel Cage			
Method of Cooling	IC411(FC)	Starting Method*	D.O.L			
Rated Frequency	60 Hz	Rated Voltage	575 V	460 V	230 V	
Number of Phases	3	Current	Full Load	302.8 A	378.5 A	757.0 A
Insulation Class	F		Locked-rotor**	700 %	700 %	700 %
Temp. Rise at full load (by resistance method)		Efficiency				
at 1.0 S.F	80 deg. C	50% Load		92.8 %		
Motor Location	<input type="checkbox"/> Indoor <input type="checkbox"/> Outdoor	75% Load		94.8 %		
Altitude	Less than 1,000 meter	100% Load		95.8 %		
Relative Humidity	Less than 80 %	Power Factor(p.u)				
Ambient Temp.	40 deg. C (Max.)	50% Load		0.750		
Duty Type	Continuous (S1)	75% Load		0.850		
Service Factor	1.15	100% Load		0.900		
Mounting	B35	Speed at Full Load	3570 r.p.m			
Bearing	Type	Anti-Friction	Torque			
	DE/N-DE	6315C3 / 6315C3-INS.	Full Load	513.1 lb.ft		
	Lubricant	Grease(Polyrex-EM)	Locked-rotor**	130 %		
External Thrust	Not applicable	Breakdown**	225 %			
Coupling Method	<input checked="" type="checkbox"/> Direct <input type="checkbox"/> V-belt	Moment of Inertia (J)				
Shaft Extension	Single	Load(Max.)	281.000 lb.ft2			
Terminal Box	Main	Cast Iron	Motor	50.550 lb.ft2		
	Aux.	Yes	Sound Pressure Level (No-load & mean value at 1m from motor)			
Location	Refer to Outline Drawing	87 dB(A)				
Application		Vibration				
Area classification	Hazardous	3.8 mm/sec (peak)				
Type of Ex-Protection	Class I&II, Division 2	Permissible number of consecutive starts	Cold	2 times		
Applicable Standard	IEEE841, NEMA MG1, CSA C390	Hot	1 time			
		Paint	Munsell No.	7.5BG6/1.5		

ACCESSORIES
*. B.T.D.(Pt 100 Ω at 0°C,Single) : 2EA/Motor
*. W.T.D.(Pt 100 Ω at 0°C) : 2EA/Ph.
*. Space Heater : 1EA/Motor

SPARE PARTS
1. Spare Axial Fan (C.W Direction)

SUBMITTAL DRAWING		
Outline Dimension Drawing	Motor Weight(Approx.)	
B35	LM-I044XC4C7001	3190 lb.

REMARK
1. Premium efficiency according to NEMA MG1
2. Inverter Duty @ 1.0 Service Factor & F Temperature rise
-. 10:1 VT (20:1 VT at 50% load)
-. 10:1 CT
-. CHp up to 1.5 times base speed, NEMA MG1 Part31
3. NDE side : Insulated bearing
4. CSA Certification
-. Class I, Division 2, Group A, B, C & D; Temp code : T3
-. Class II, Division 2 Group F & G; Temp code : T3
5. Uni-directional CCW viewed from drive end.

Date	DSND	CHKD	CHKD	APPD
2024-09-22	E.J.LEE	I.K. Kim	R.G. Kim	S.W. Kim

[Note] Others not mentioned in this data sheet shall be in accordance with maker standard.
 Above technical data are only design values and shall be guaranteed with tolerance of applicable standard.
 Inspection and performance test shall be done according to maker standard, if not mentioned.
 * In case of Inverter-Fed Motor, performance data is based on sine wave tests. It may be different from test data of Inverter combined motor.
 ** Data is based on rated voltage & frequency and is expressed as a percentage of full-load value.

본 도면은 HD현대일렉트릭(주) 재산이며
허가없이 복사할 수 없음 (취급주의)

THIS DRAWING IS PROPRIETARY TO HYUNDAI ELECTRIC. NO PART OF THIS DRAWING
MAYBE REPRODUCED WITHOUT THE PERMISSION OF HYUNDAI ELECTRIC.

4.72

CROWN TRITON
Premium Efficiency AC 3 Phase Motor

350HP 2P 460V	Cat. No. IEE350-36-L449TSC-IBBRSRSHSP
Model LATER	INS. Class F Amps 378.5
Type PJP Duty CONT	Code G Amb. 40°C Hertz 60Hz
Frame L449TSC Encl. TEFC	S.F. 1.15 RPM 3570 NEMA Nom. Eff. 95.8%
Bearing	Drive 6315C3 S.F.1.00 (10:1 C.T., 20:1 V.T., NEMA-MG1 Part31) 3/4 Eff. 94.8%
	Opp. 6315C3-INS. NEMA Design B
Usable at	50Hz 300HP 380V 396.49A 2970rpm S.F.: 1.0 Eff.: 95.8% Code: G
	50Hz 300HP 400/415V 380.9/367.09A 2972/2975rpm S.F.: 1.0 Eff.: 95.8/95.81% Code: H/H
CSA Certified for	CLASS I, Div. 2, Gr. A, B, C & D
	CLASS I, Zone 2, Gr. IIA, IIB, & IIC
	CLASS II, Div. 2, Gr. F & G
Temp. Code	Frame L440FR - 500FR
	Amb. 40°C T3 (200°C)
	Amb. 55°C T3 (200°C)
No. -	Date - Weight 3190 lb

IEEE Std 841-2021 MARINE DUTY IEE45
4M-136054 Made in Korea H1

APPD BY	S.Y.KIM	UNIT	INCH
CHKD BY	I.K.KIM	SCALE	NONE
CHKD BY	R.G.KIM	PROJEC'N	3rd Angle
DSND BY	S.H.LEE	DATE	2024.06.07

SUBJECT	CSA Class I, Division2 IEE45 (XL)	DWG SIZE	A4 (1:1)
TITLE NAMEPLATE DRAWING			
REF. NO	4M-136054	Sheet No.	of
DWG NO	NP-IEE350-36-L449TSC-IBBRSRSHSP	Revision No.	0



PERFORMANCE CURVE

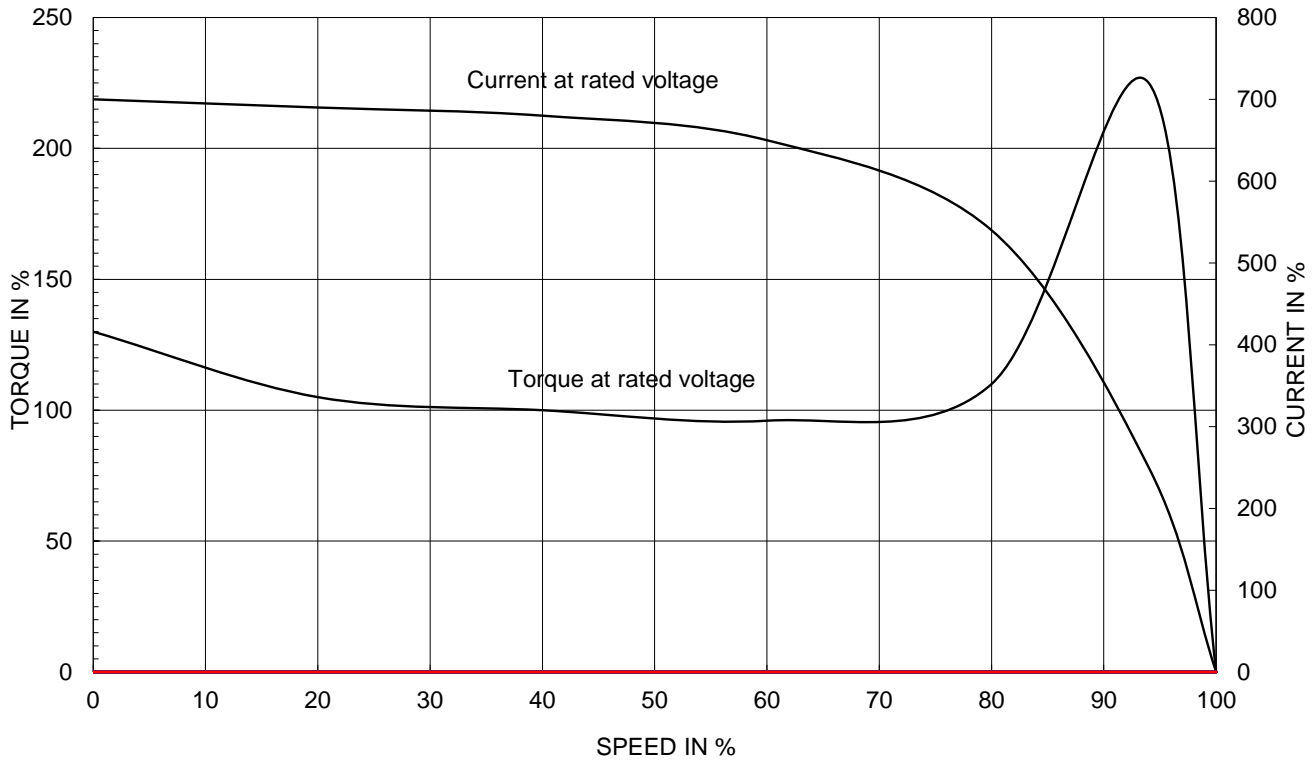
CURVE NO.

PC-IEEE350-36-L449TSC-IBBRSRSHSP

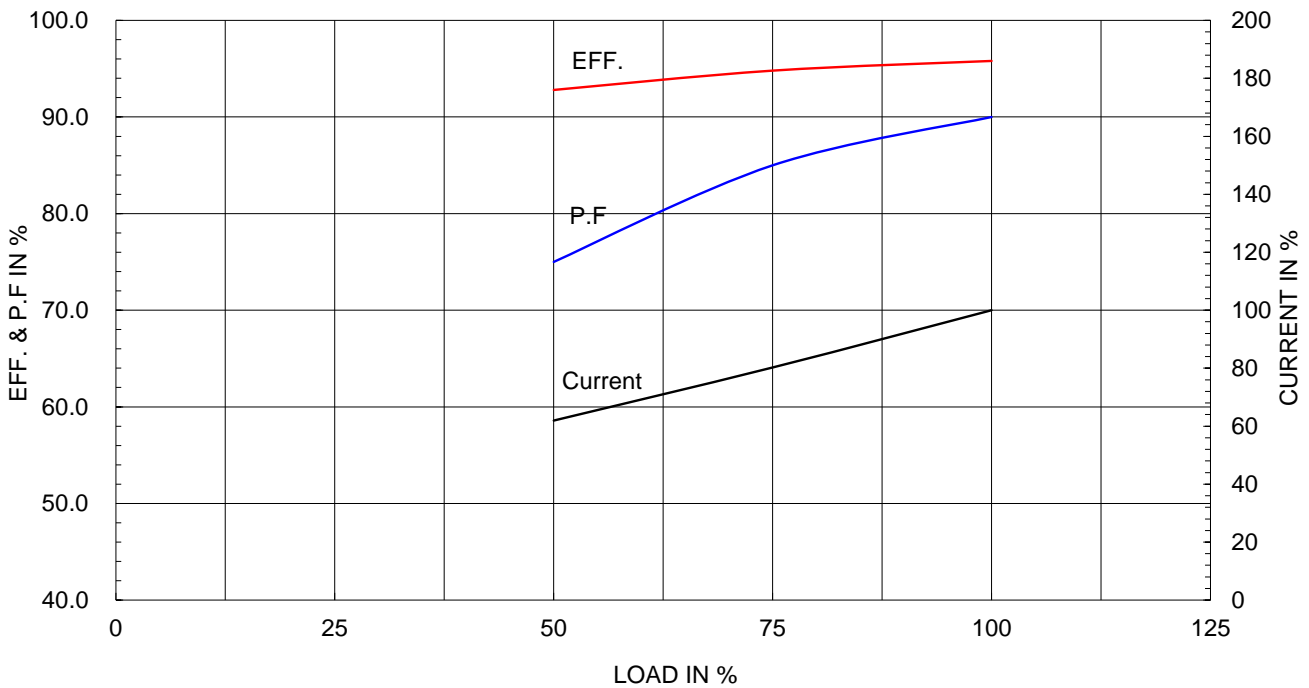
Type :	PJP
Full Load Torque :	513.1 lb.ft
Load moment of Inertia (J) :	281.000 lb.ft2
Motor moment of Inertia (J) :	50.550 lb.ft2

260kW	350HP	2 P	60 Hz
Speed at Full Load :			3570 RPM
Rated Voltage	575V	460V	230V
Full Load Current	302.8A	378.5A	757.0A

SPEED VS TORQUE & CURRENT CURVE

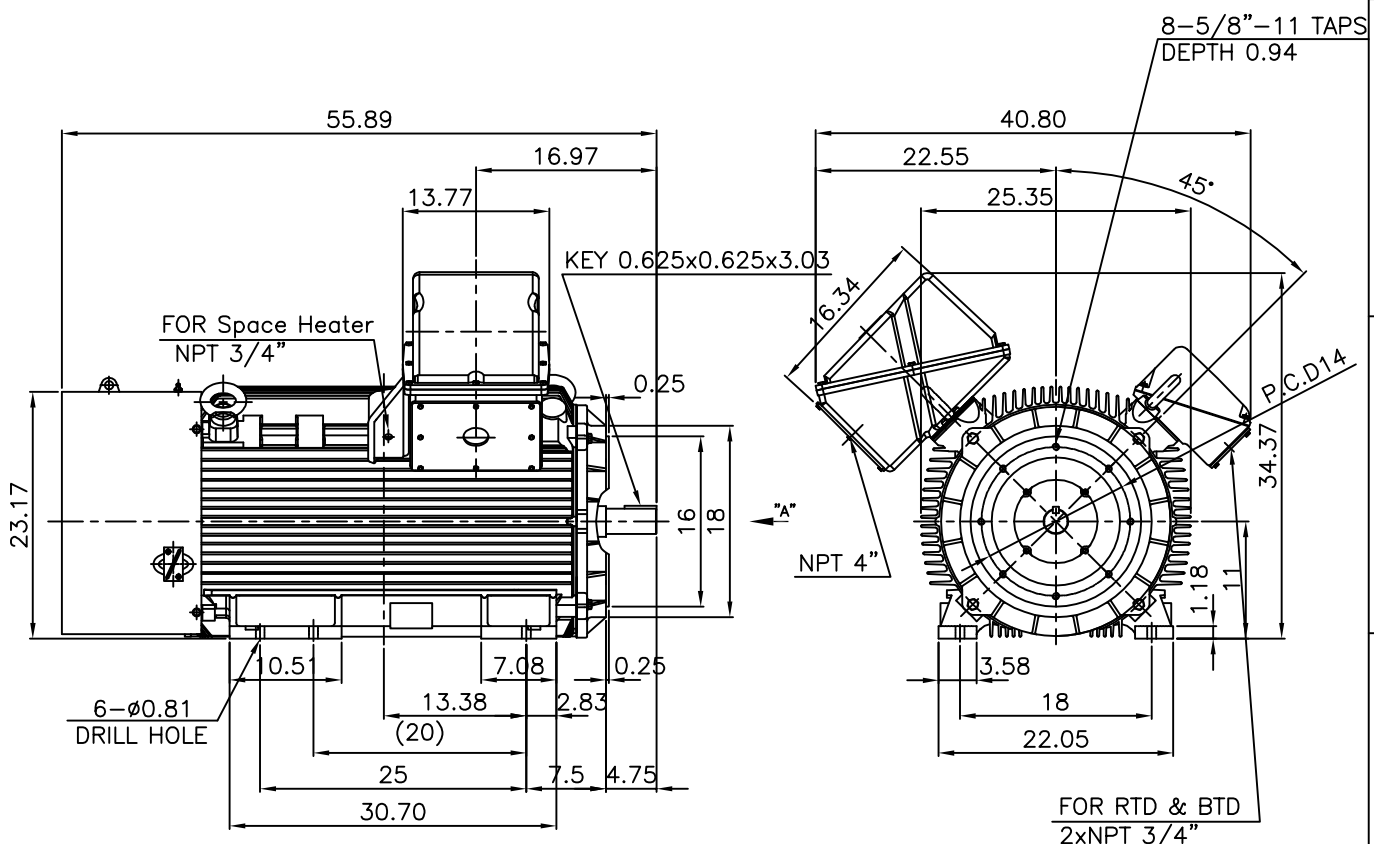


OUTPUT VS EFF., P.F & CURRENT CURVE



▽	50S	REV	DATE	CONTENTS	REVD BY	CHKD BY	CHKD BY	APPD BY
▽▽	12.5S							
▽▽▽	3.2S							
▽▽▽▽	0.4S							

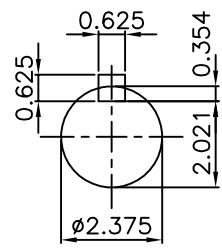
IEEE841



NOTE

1.TOLERANCE :

CENTER HEIGHT	11	+0.000	-0.060
RABBET DIAMETER	ϕ 16	0	-0.005
SHAFT DIAMETER	ϕ 2.375	+0.000	-0.001
KEYWAY WIDTH	0.625	+0.002	-0.000

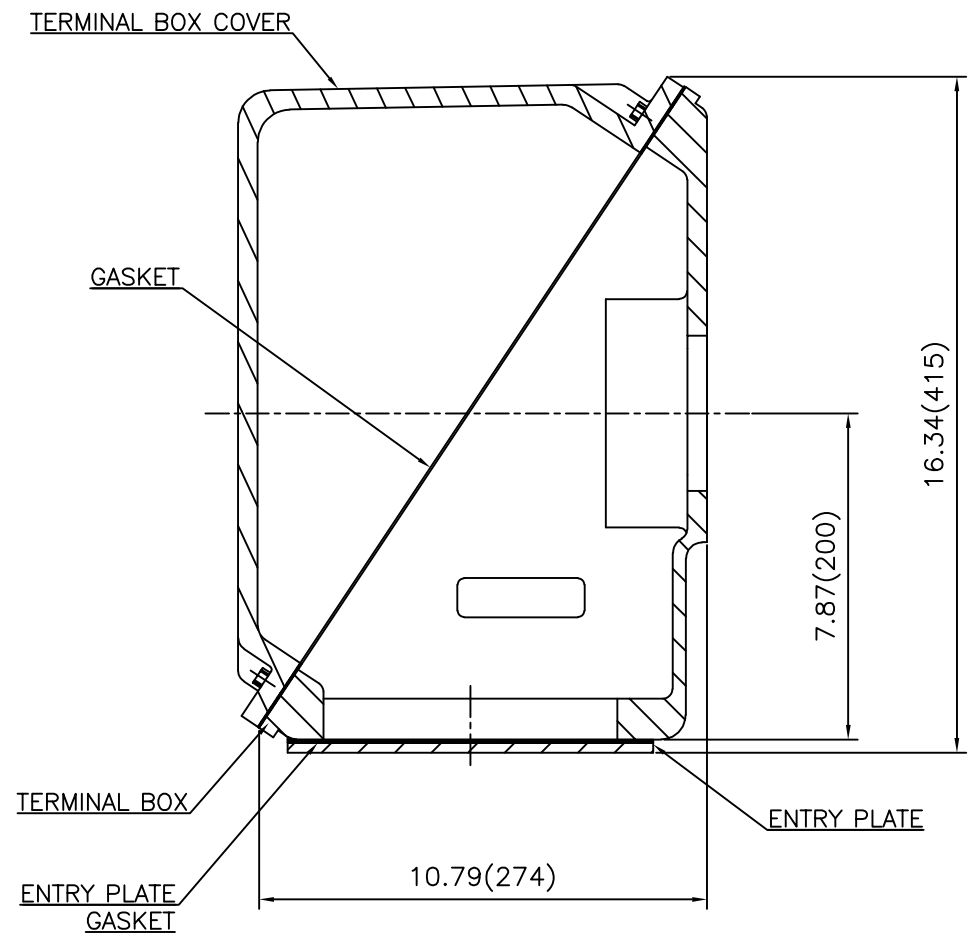
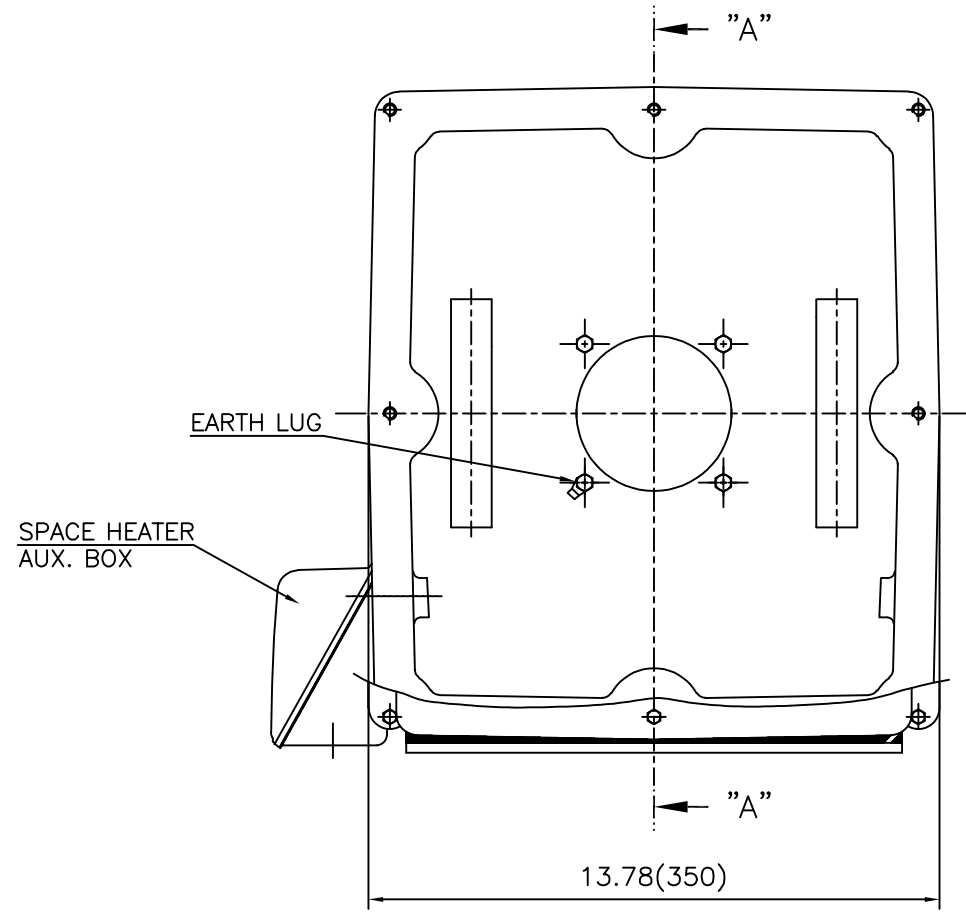


VIEW "A"

APPD BY	S.Y.KIM	UNIT	INCH	SUBJECT	Fr.L449TSC	DWG SIZE	A4 (1:18)
CHKD BY	O.J.KIM	SCALE	1/18	TITLE	OUTLINE		
CHKD BY	R.G.KIM	PROJEC'N	3각법(3rd Angle)	REF. NO		Sheet No.	of
DSND BY	H.K.LEE	DATE	2021-04-27	DWG NO	LM-I044XC4C7001	Revision No.	0



**Cls. I&II, Div. 2
IEEE 841**



SEC. "A" - "A"

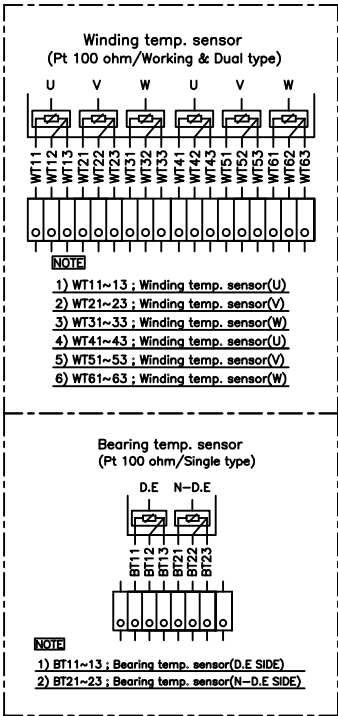
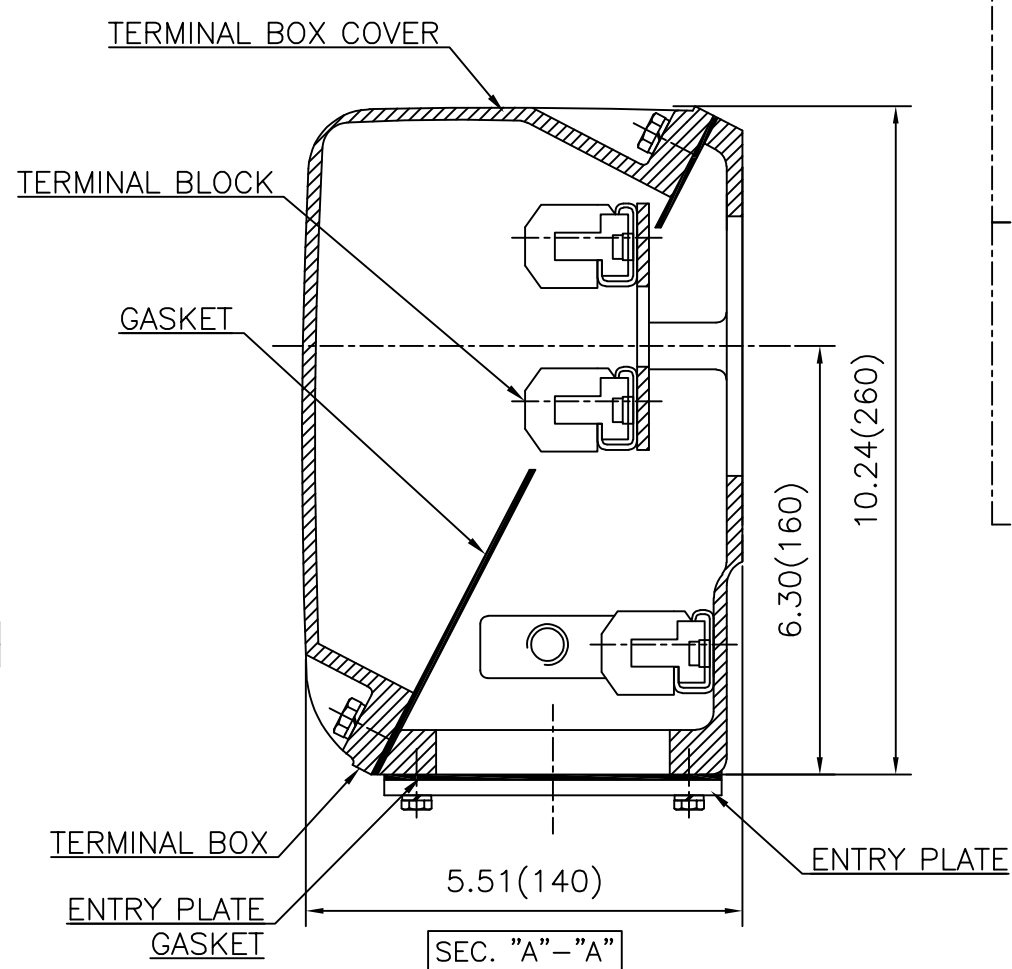
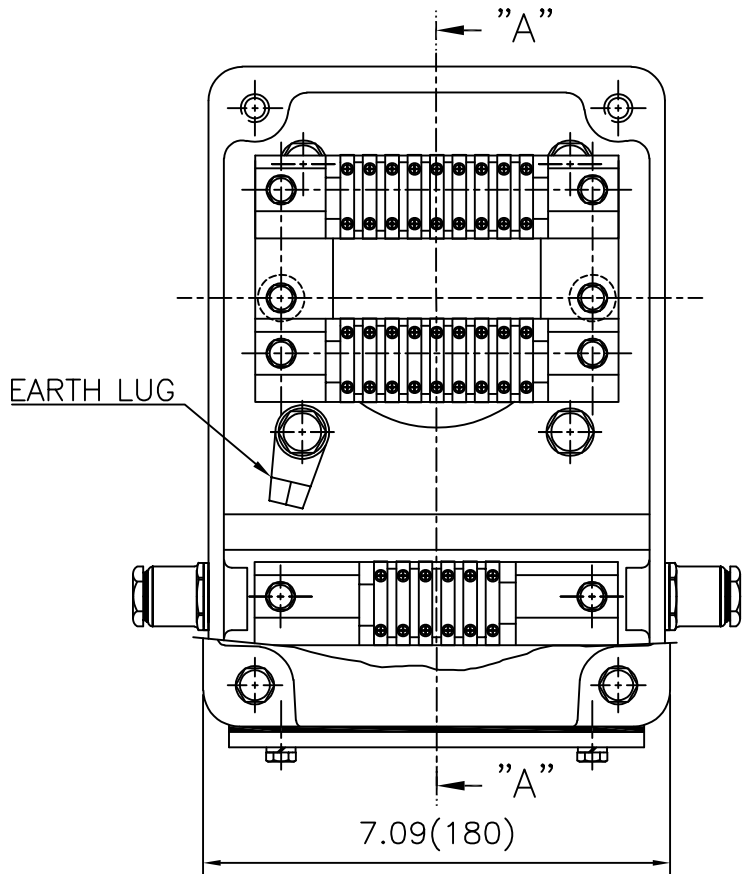
REV	DATE	CONTENTS	REVD BY	CHKD BY	CHKD BY	APPD BY

APPD BY	S.Y.KIM	UNIT	inch(mm)	SUBJECT	FR. L440 (CAST IRON)	DWG SIZE
CHKD BY		SCALE	1/3.5	TITLE	MAIN TERMINAL BOX ASS'Y	A3 (1:3.5)
CHKD BY	R.G.KIM	PROJEC'N	3rd Angle			
DSND BY	최승희	DATE	2023-10-19			
				REF. NO		Sheet No. of
				DWG NO	3M-248452	Revision No. 0

Cls. I&II, Div. 2 IEEE 841

본 도면은 HD현대일렉트릭(주) 재산이며
허가없이 복사할 수 없음 (취급주의)

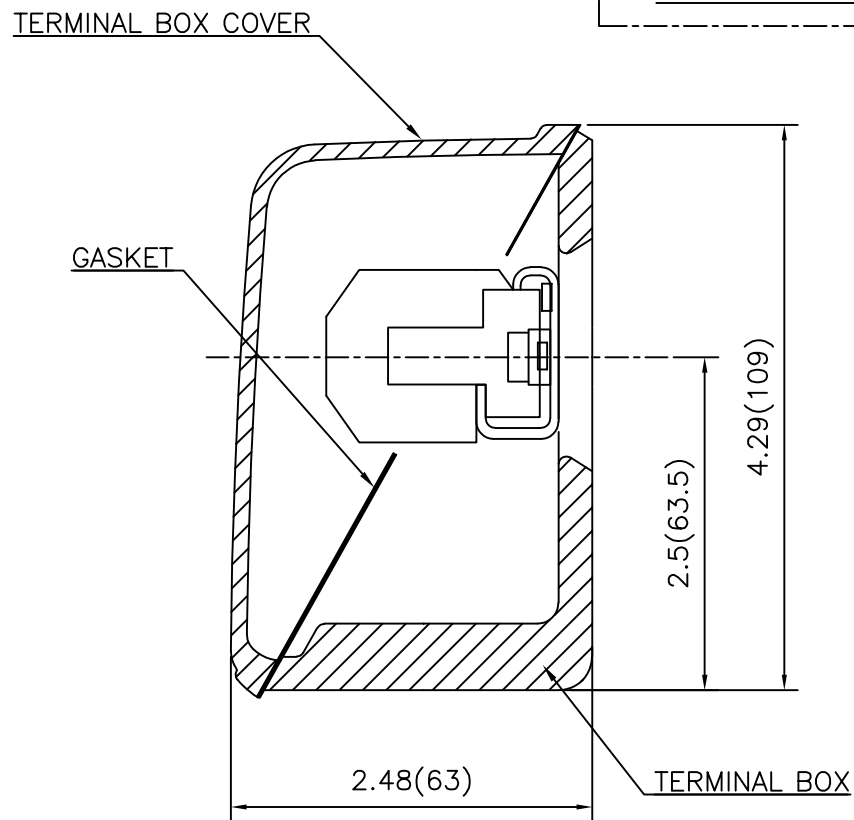
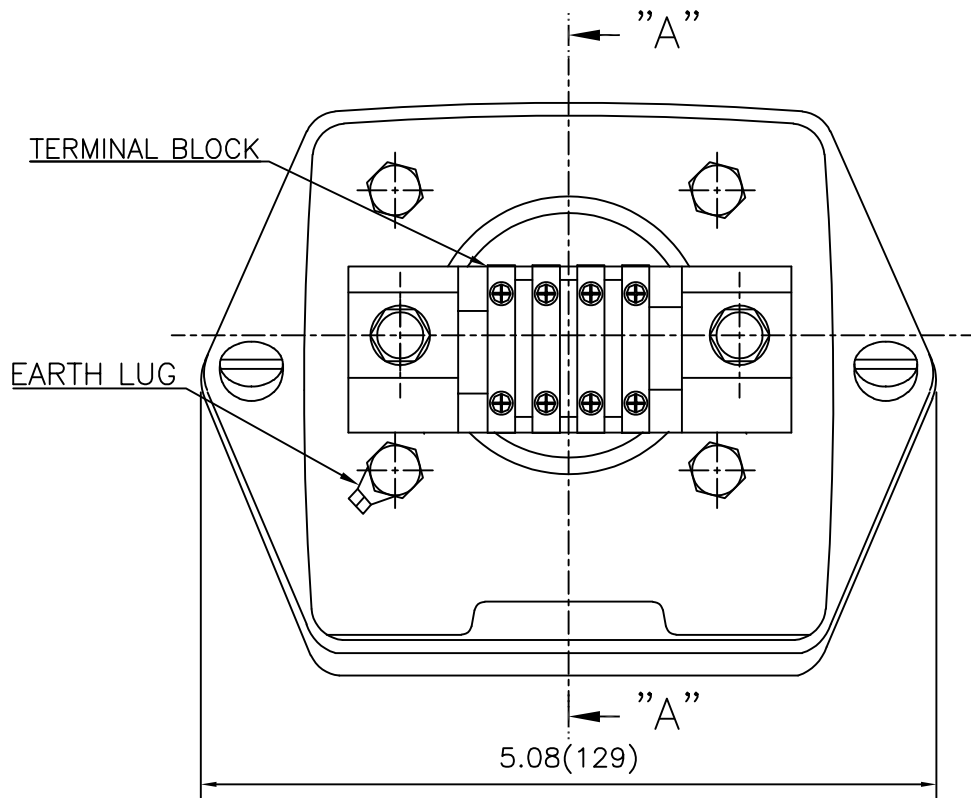
THIS DRAWING IS PROPRIETARY TO HYUNDAI ELECTRIC. NO PART OF THIS DRAWING
MAY BE REPRODUCED WITHOUT THE PERMISSION OF HYUNDAI ELECTRIC.



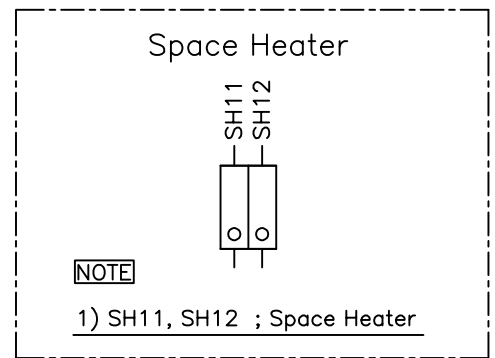
REV	DATE	CONTENTS	REVD BY	CHKD BY	CHKD BY	APPD BY

APPD BY	S.Y.KIM	UNIT	inch(mm)	SUBJECT	FR.360 (CAST IRON)	DWG SIZE	A3 (1:2.2)
CHKD BY		SCALE	1/1	TITLE	AUX. TERMINAL BOX ASS'Y	REF. NO	Sheet No. of
CHKD BY	R.G.KIM	PROJEC'N	3rd Angle	DWG NO		3M-165277	Revision No.
DSND BY	배승희	DATE	2024-01-18				

**Cls. I&II, Div. 2
IEEE 841**



SEC. "A" - "A"



REV	DATE	CONTENTS	REVD BY	CHKD BY	CHKD BY	APPD BY

APPD BY	S.Y.KIM	UNIT	inch(mm)	SUBJECT	FR.180 (CAST IRON)	DWG SIZE
CHKD BY		SCALE	1/1	TITLE	SUB. TERMINAL BOX ASS'Y	A3 (1:1.1)
CHKD BY	R.G.KIM	PROJEC'N	3rd Angle			
DSND BY	배승희	DATE	2024-01-18			
				REF. NO		Sheet No. of
				DWG NO	3M-165278	Revision No. 0