

Customer :
Project Name :
Project No. :
Revision No. :

SPECIFICATION for INDUCTION MOTOR



0		For Bidding			
No.	DATE	DESCRIPTION	PREPARED BY	CHECKED BY	APPROVED BY


REV	DATE	CONTENTS	REVD BY	CHKD BY	CHKD BY	APPD BY

MAIN NAMEPLATE

4.72

CROWN TRITON


Premium Efficiency AC 3 Phase Motor



800HP	2P	460V	Cat. No.	HSDE800-36-5812S-IBBRSRSHSP-F					
Model	-		INS. Class	F	Amps	883.2A			
Type	HNE6	Duty	CONT	Code	G	Amb.	40°C	Hertz	60Hz
Frame	5812S	Encl.	TEFC	S.F.	1.15	RPM	3570	NEMA Nom. Eff.	95.8%
Bearing	Drive	6317C3			S.F.1.00 (2:1 C.T., 10:1 V.T., NEMA-MG1 Part31)		3/4 Eff.	94.8%	
	Opp.	6317C3-INS.					NEMA Design	B Torque	
Usable at	50Hz 600HP 380V 811.0A 2970rpm S.F.: 1.15 Eff.: 95.8% Code: G								
	50Hz 600HP 400/415V 770.4/751.1A 2972/2975rpm S.F.: 1.15 Eff.: 95.8/95.8% Code: H/J								
CSA Certified for	CLASS I, Div. 2, Gr. A, B, C & D				Temp. Code	Frame		580FR	
						Maximum Amb. 50°C		T3A (180°C)	
No.	-			Date	-		Weight	6730 lb	


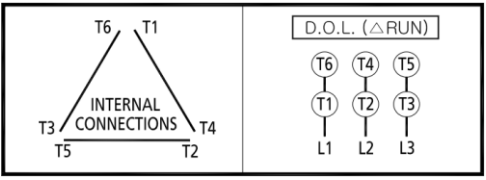
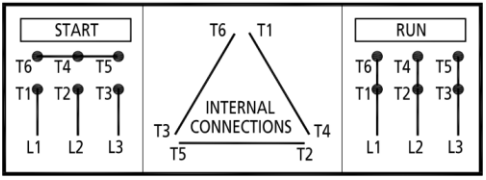

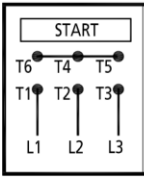
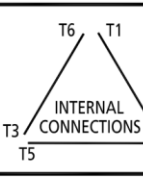
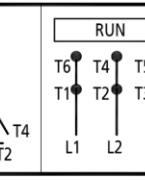
4M-136358


Made in Korea H1



2.36

WIRING DIAGRAM

D.O.L (INVERTER & SOFT STARTER)	WYE-DELTA (Y-D)
 <h3>WARNING</h3> <p>IMPROPER INSTALLATION, CONNECTION, OPERATION, GROUNDING OF THIS MOTOR MAY CAUSE SERIOUS INJURY TO PERSONNEL OR MOTOR FAILURE. READ INSTRUCTIONS CAREFULLY. GROUNDING SHOULD BE IN ACCORDANCE WITH THE NATIONAL ELECTRIC CODE AND APPLICABLE LOCAL SOUND PRACTICES.</p> <div style="display: flex; justify-content: space-around;"> <div style="text-align: center;">  <p>D.O.L. (Δ)RUN</p> </div> <div style="text-align: center;">  <p>WYE-DELTA (Y-D)</p> </div> </div> <p>KEEP FINGERS AND FOREIGN OBJECTS AWAY FROM OPENINGS AND ROTATING PARTS DISCONNECT ALL POWER SOURCES BEFORE TOUCHING INTERNAL PARTS TO AVOID ELECTRICAL SHOCK.</p> <p style="text-align: right; font-size: small;">4M-129326</p>	 <h3>WARNING</h3> <p>IMPROPER INSTALLATION, CONNECTION, OPERATION, GROUNDING OF THIS MOTOR MAY CAUSE SERIOUS INJURY TO PERSONNEL OR MOTOR FAILURE. READ INSTRUCTIONS CAREFULLY. GROUNDING SHOULD BE IN ACCORDANCE WITH THE NATIONAL ELECTRIC CODE AND APPLICABLE LOCAL SOUND PRACTICES.</p> <div style="display: flex; justify-content: space-around;"> <div style="text-align: center;">  <p>START</p> </div> <div style="text-align: center;">  <p>WYE-DELTA (Y-D)</p> </div> <div style="text-align: center;">  <p>RUN</p> </div> </div> <p>KEEP FINGERS AND FOREIGN OBJECTS AWAY FROM OPENINGS AND ROTATING PARTS DISCONNECT ALL POWER SOURCES BEFORE TOUCHING INTERNAL PARTS TO AVOID ELECTRICAL SHOCK.</p> <p style="text-align: right; font-size: small;">4M-128852</p>

APPD BY	S.Y.KIM	UNIT	INCH	SUBJECT	CSA Class I, Division2 Severe Duty (HSDE ,500-5812)	DWG SIZE
CHKD BY	I.K.KIM	SCALE	NONE	TITLE	NAMEPLATE DRAWING	A4 (1:1)
CHKD BY	R.G.KIM	PROJEC'N	3rd Angle			
DSND BY	S.H.LEE	DATE	2024.06.07			
				REF. NO	4M-136358 / 4M-129326	Sheet No. of
				DWG NO	NP-HSDE800-36-5812S-IBBRSRSHSP-F	Revision No. 0



PERFORMANCE CURVE

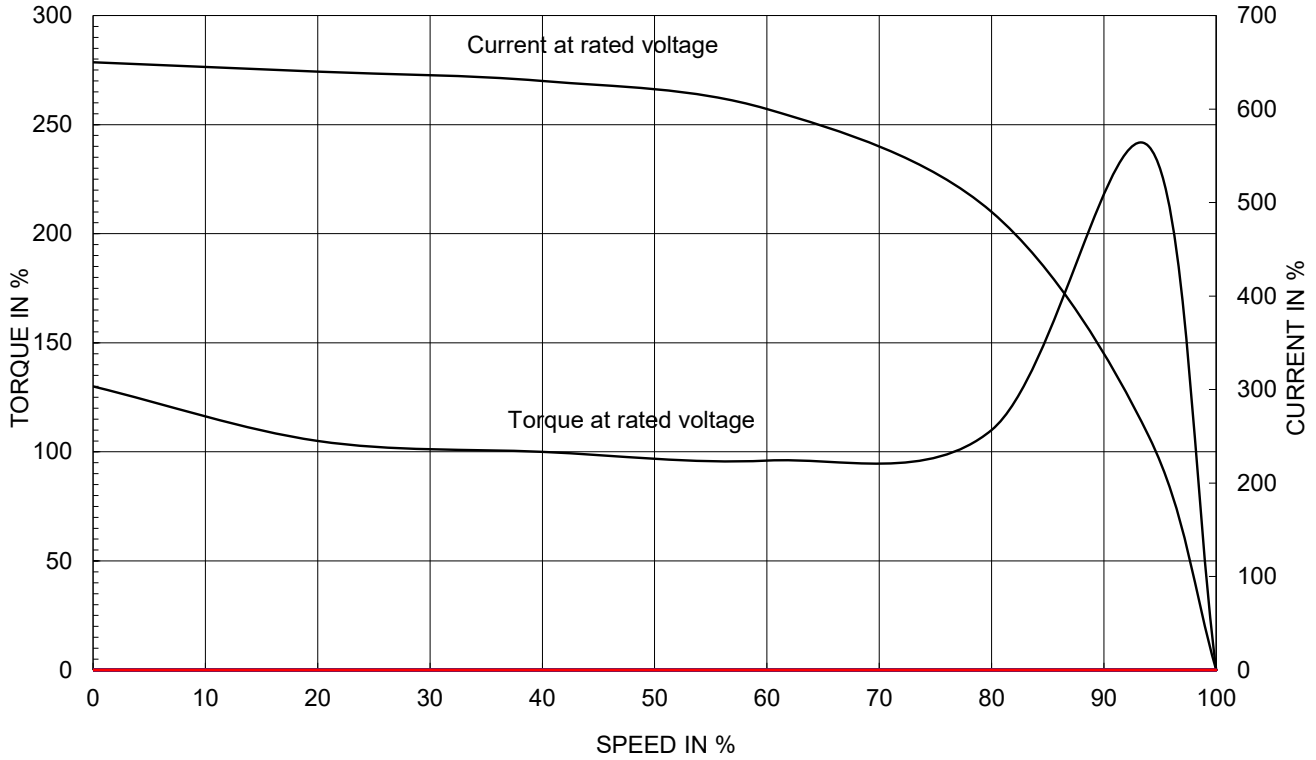
CURVE NO.

PC-HSDE800-36-5812S-IBBRSRSHSP-F

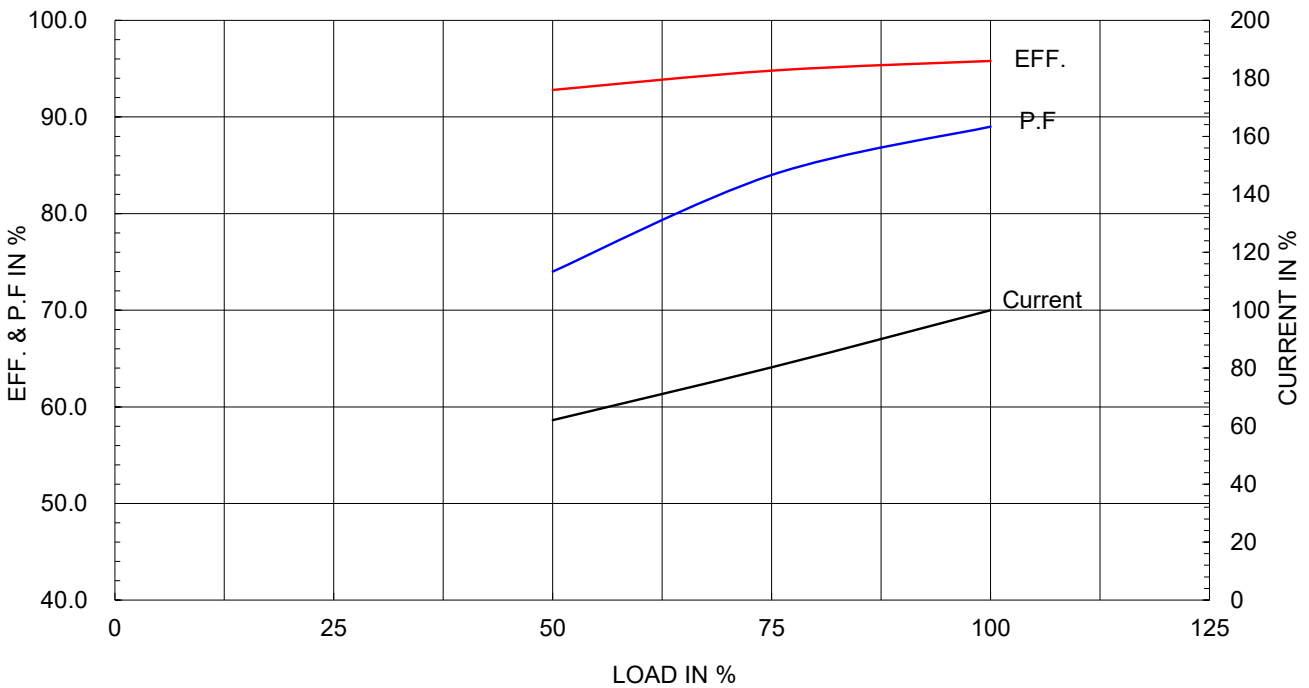
Type :	HNE6	
Full Load Torque :	1184.03	lb.ft
Load moment of Inertia (J) :	574.869	lb.ft2
Motor moment of Inertia (J) :	121.840	lb.ft2

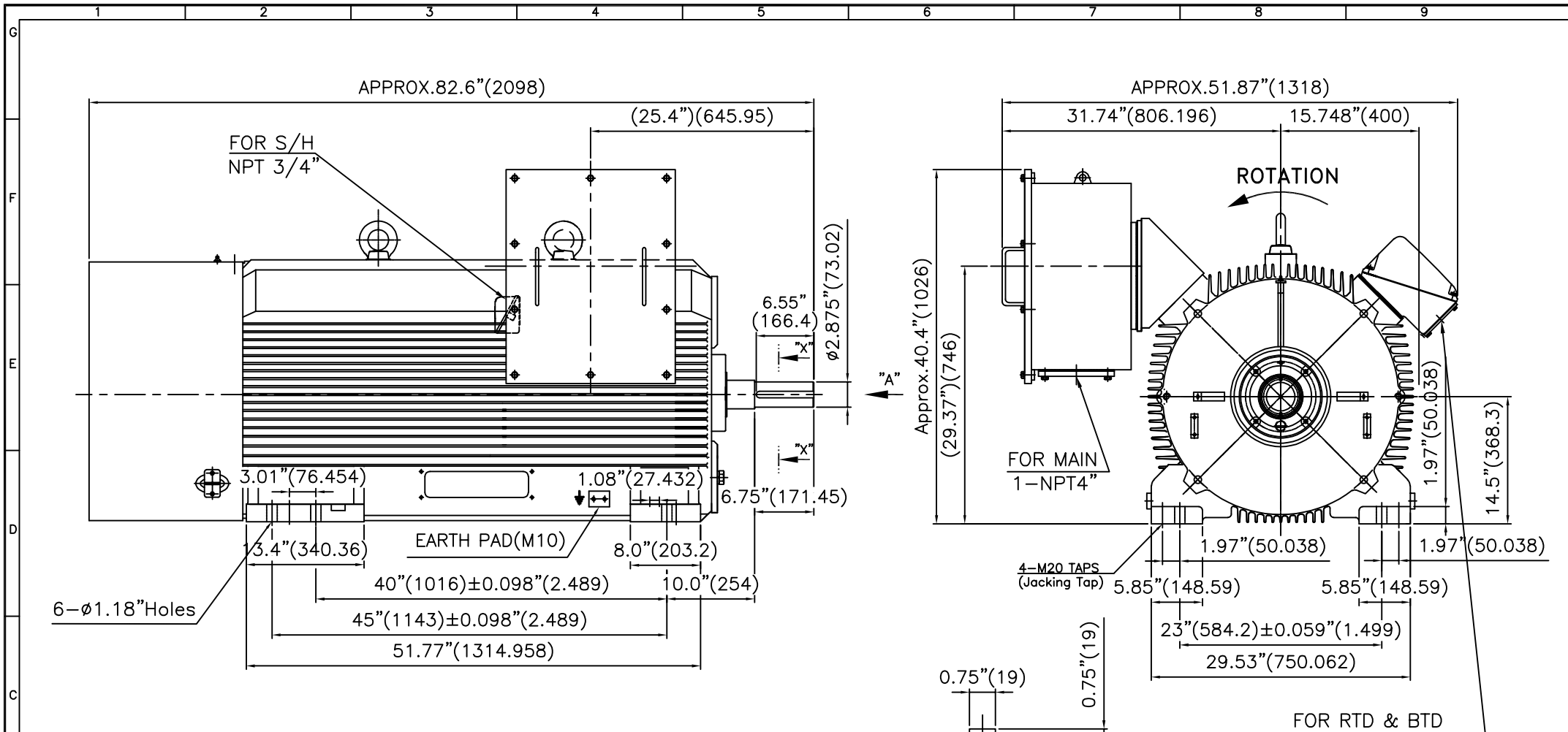
600kW	800HP	2 P	60 Hz
Speed at Full Load :			3570 RPM
Rated Voltage	575V	460V	230V
Full Load Current	706.6A	883.2A	1766.5A

SPEED VS TORQUE & CURRENT CURVE



OUTPUT VS EFF., P.F & CURRENT CURVE





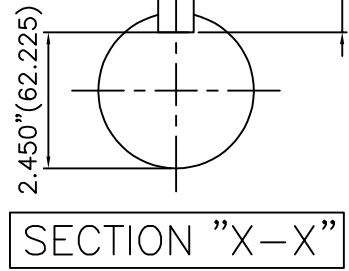
TECHNICAL INFORMATION

1) BEARING & LUBRICANT LIST

BEARING	Drive End	Non-Drive End
Bearing Type	6317C3	6317C3
Lubricant Type	GREASE	GREASE
Grease Type	Mobil(Polyrex-EM)	Mobil(Polyrex-EM)
Initial Charge Quantity	240 g	240 g
Mark-Up	Quantity	37 g
	Interval	1 MONTHS

2) TOLERANCE :

CENTER HEIGHT	14.5	+0.000	-0.060
SHAFT DIAMETER	Ø2.875	+0.000	-0.001
KEYWAY WIDTH	0.75	+0.003	-0.000



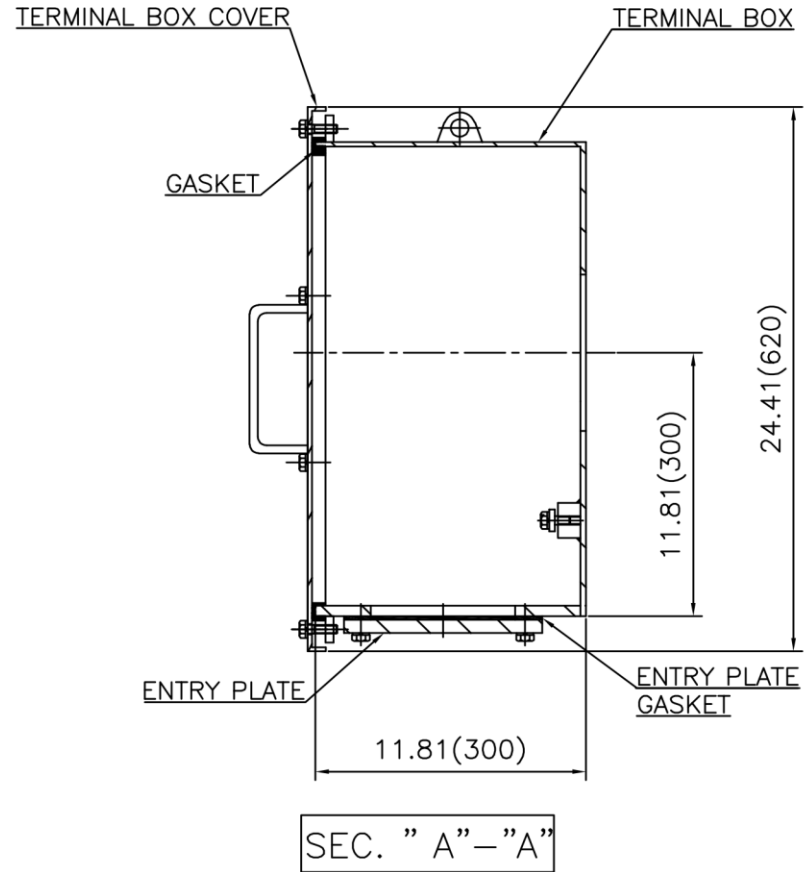
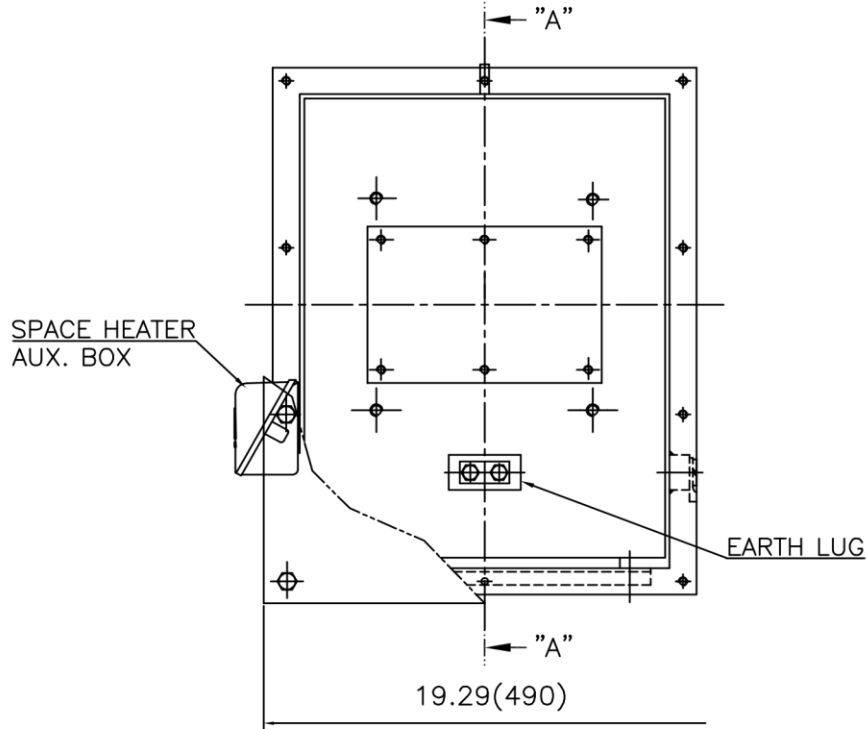
VIEW "A"

Q'TY	DESCRIPTION	MATERIAL	DIMENSION	WEIGHT	PART NO.	REMARK
APPD BY	S.K.HAN	UNIT	INCH(MM)	SUBJECT	Fr.5812-2P	
CHKD BY	S.Y.KIM	SCALE	1/12	TITLE	OUTLINE	
CHKD BY	R.G.KIM	PROJEC'N	3각법 (3rd Angle)	REF. NO		Sheet No. of
DSND BY	M.S.HA	DATE	2019.05.16	DWG NO	LM-T5812B3C7004	Revision No.



REV	DATE	CONTENTS	REVD BY	CHKD BY	CHKD BY	APPD BY
1						

Cls. I&II, Div. 2 IEEE 841

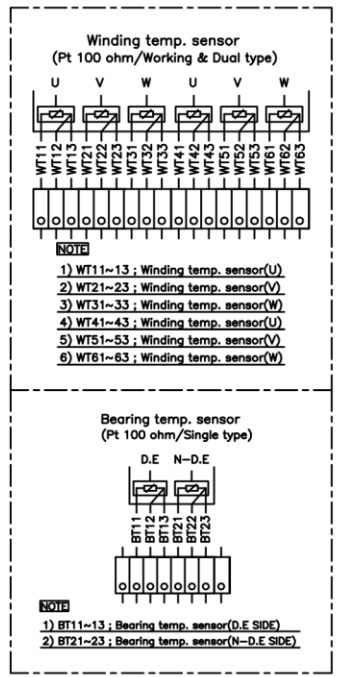
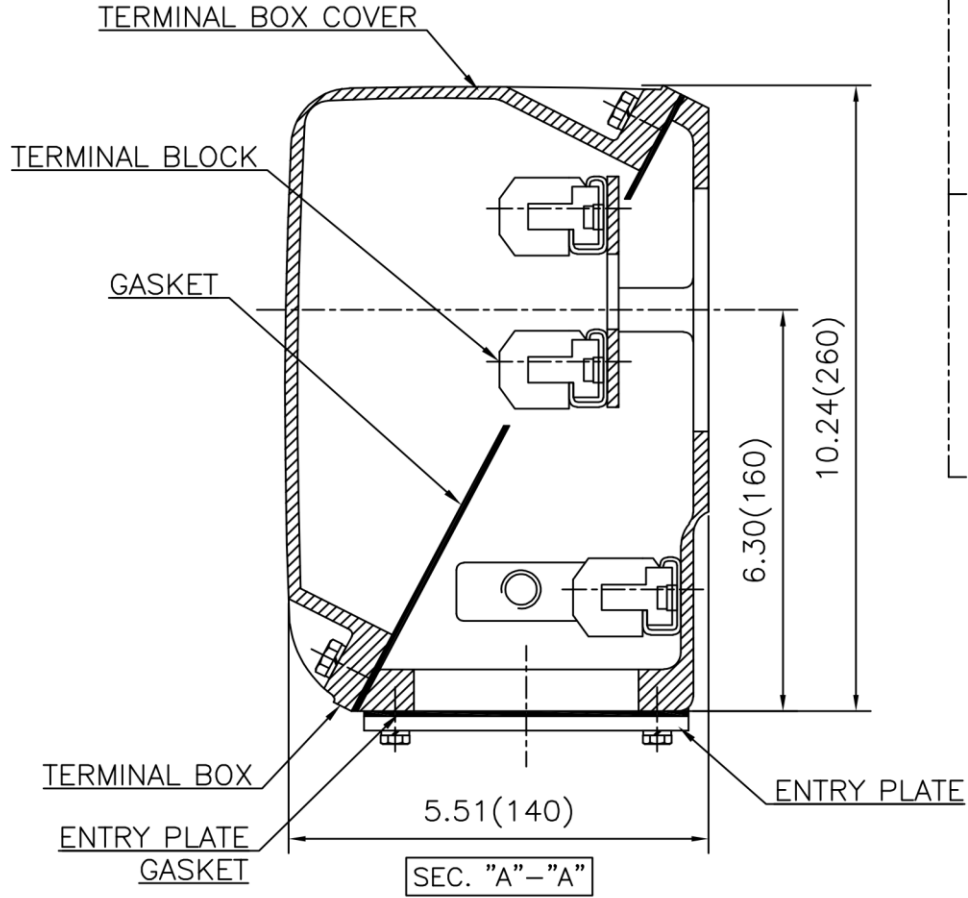
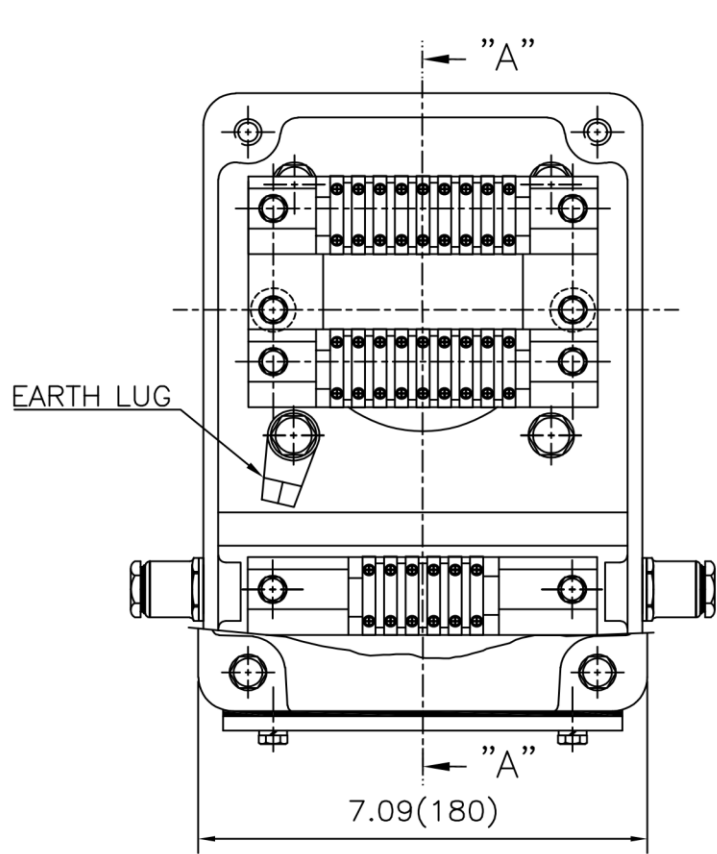


REV	DATE	CONTENTS	REVD BY	CHKD BY	CHKD BY	APPD BY
1						
2						
3						
4						

APPD BY	S.Y.KIM	UNIT	inch(mm)	SUBJECT	FR.580 (STEEL)	DWG SIZE	A3 (1:6)
CHKD BY		SCALE	1/6	TITLE	MAIN TERMINAL BOX ASS'Y		
CHKD BY	R.G.KIM	PROJEC'N	3rd Angle	REF. NO		Sheet No.	of
DSND BY	내습희	DATE	2023-10-25	DWG NO	3M-248512	Revision No.	0



**Cls. I&II, Div. 2
IEEE 841**

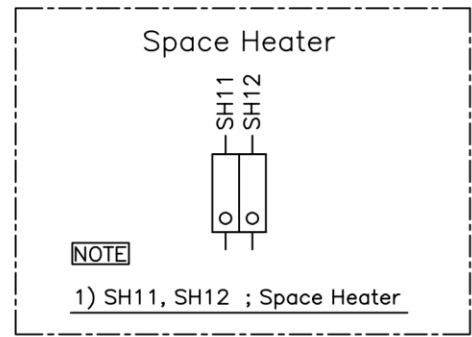
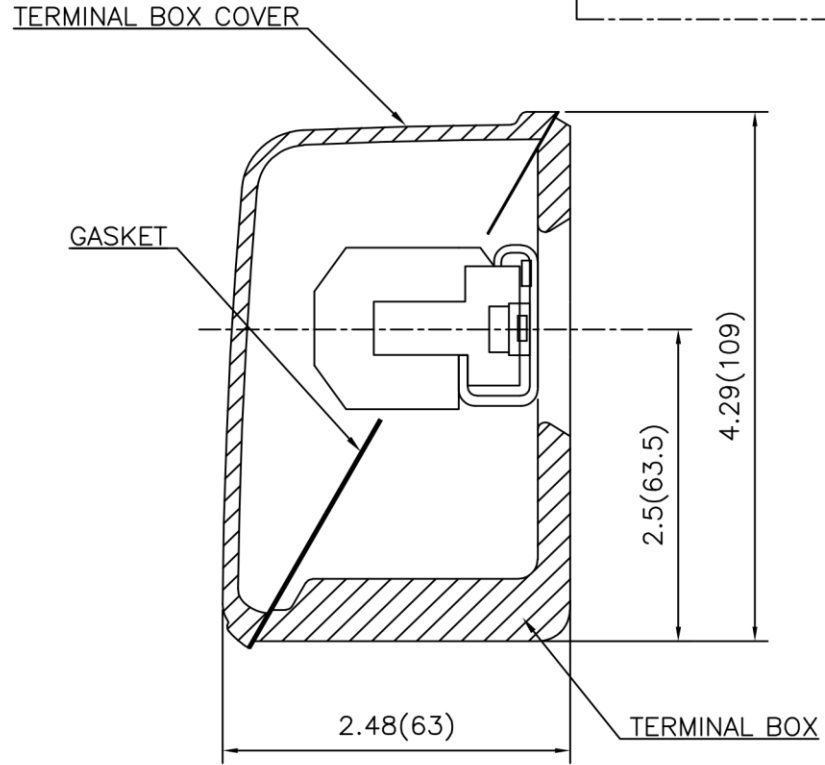
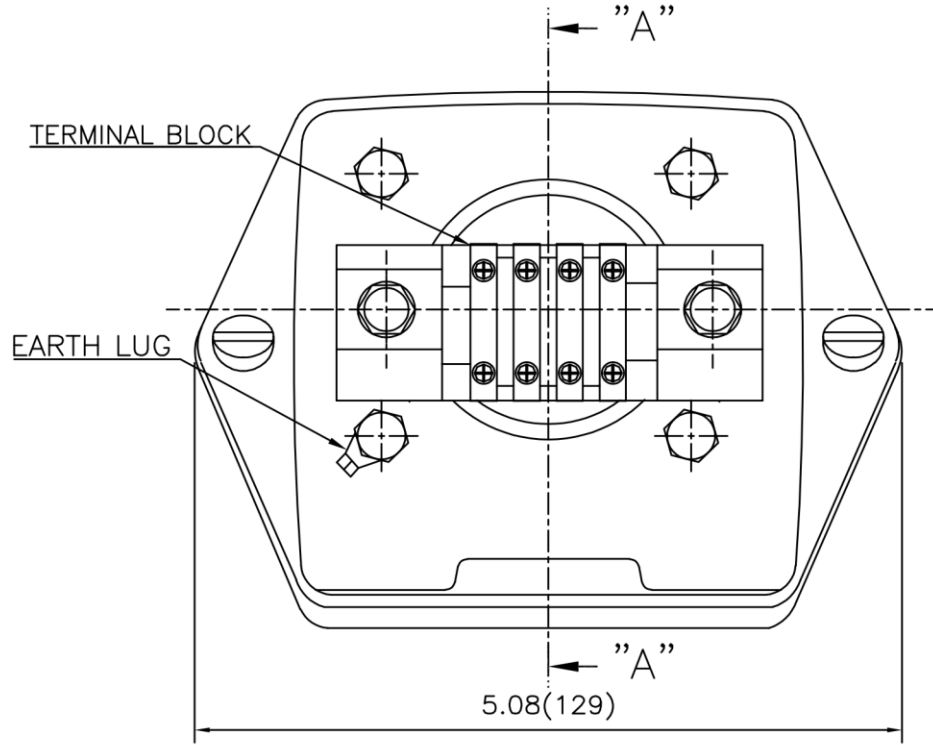


REV	DATE	CONTENTS	REVD BY	CHKD BY	CHKD BY	APPD BY

APPD BY	S.Y.KIM	UNIT	inch(mm)	SUBJECT	FR.360 (CAST IRON)	DWG SIZE	A3 (1:2.2)
CHKD BY	R.G.KIM	SCALE	1/1	TITLE	AUX. TERMINAL BOX ASS'Y		
DSND BY	내승희	PROJEC'N	3rd Angle	REF. NO		Sheet No.	of
		DATE	2024-01-18	DWG NO	3M-165277	Revision No.	0



**Cls. I&II, Div. 2
IEEE 841**



APPD BY	S.Y.KIM	UNIT	inch(mm)	SUBJECT	FR.180 (CAST IRON)	DWG SIZE	A3 (1:1.1)
CHKD BY		SCALE	1/1	TITLE	SUB. TERMINAL BOX ASS'Y		
CHKD BY	R.G.KIM	PROJEC'N	3rd Angle	REF. NO		Sheet No.	of
DSND BY	백승희	DATE	2024-01-18	DWG NO	3M-165278	Revision No.	0

