

Customer :  
 Project Name :  
 Project No. :  
 Revision No. :

# SPECIFICATION for INDUCTION MOTOR



| 0   |      | For Bidding |             |            |             |
|-----|------|-------------|-------------|------------|-------------|
| No. | DATE | DESCRIPTION | PREPARED BY | CHECKED BY | APPROVED BY |

# AC INDUCTION MOTOR DATA SHEET

|  |  |  |          |  |  |                       |                 |                               |          |      |  |  |
|--|--|--|----------|--|--|-----------------------|-----------------|-------------------------------|----------|------|--|--|
| Catalog No.                                    |  | HSDE400-18-L449TC-IBSH   |          | Item No.   |  | Rev. No.              |                 | [      ]                      |          |      |  |  |
| Project Name                                   |  |  |          | Project No.  |  | Quantity              |                 | sets                          |          |      |  |  |
| <b>GENERAL SPECIFICATION</b>                   |  |  |          |  | <b>PERFORMANCE DATA</b>  |                       |                 |                               |          |      |  |  |
| Frame Size                                     |  | L449TC   |          | Rated Output   |  | 300 kW                |                 | 400 HP                        |          |      |  |  |
| Type   |  | PJP  |          | Number of Poles  |  |                       |                 | 4                             |          |      |  |  |
| Enclosure(Protection)                          |  | Totally Enclosed / IP55  |          | Rotor Type   |  | Squirrel Cage         |                 |                               |          |      |  |  |
| Method of Cooling                              |  | IC411(FC)  |          | Starting Method*   |  | D.O.L                 |                 |                               |          |      |  |  |
| Rated Frequency                                |  | 60 Hz  |          | Rated Voltage  |  | 575 V                 |                 | 460 V    230 V                |          |      |  |  |
| Number of Phases                               |  | 3  |          | Current  |  | Full Load             |                 | 355.8 A    444.8 A    889.6 A |          |      |  |  |
| Insulation Class                               |  | F  |          |  |  | Locked-rotor**        |                 | 710 %    710 %    710 %       |          |      |  |  |
| Temp. Rise at full load (by resistance method) |  |  |          | Efficiency   |  |                       |                 |                               |          |      |  |  |
| at 1.0 S.F                                     |  | 80 deg. C  |          |  |  |                       |                 |                               |          |      |  |  |
| Motor Location                                 |  | <input type="checkbox"/> Indoor <input type="checkbox"/> Outdoor           |          | 50% Load   |  | 93.2 %                |                 |                               |          |      |  |  |
| Altitude                                       |  | Less than 1,000 meter  |          | 75% Load   |  | 95.2 %                |                 |                               |          |      |  |  |
| Relative Humidity                              |  | Less than 80 %   |          | 100% Load  |  | 96.2 %                |                 |                               |          |      |  |  |
| Ambient Temp.                                  |  | 40 deg. C (Max.)   |          | Power Factor(p.u)  |  |                       |                 |                               |          |      |  |  |
| Duty Type                                      |  | Continuous ( S1 )  |          |  |  |                       |                 |                               |          |      |  |  |
| Service Factor                                 |  | 1.15   |          |  |  |                       |                 |                               |          |      |  |  |
| Mounting                                       |  | B35  |          | Speed at Full Load   |  | 1785 r.p.m            |                 |                               |          |      |  |  |
| Bearing  |  | Type   |          | Anti-Friction  |  | Torque                |                 |                               |          |      |  |  |
|  |  | DE/N-DE  |          | 6322C3 / 6318C3-INS.   |  |                       |                 |                               |          |      |  |  |
|  |  | Lubricant  |          | Grease(Polyrex-EM)   |  |                       |                 |                               |          |      |  |  |
| External Thrust                                |  | Not applicable   |          | Full Load  |  | 1,184.0 lb.ft         |                 |                               |          |      |  |  |
| Coupling Method                                |  | <input checked="" type="checkbox"/> Direct <input type="checkbox"/> V-belt |          | Locked-rotor**   |  | 135 %                 |                 |                               |          |      |  |  |
| Shaft Extension                                |  | Single   |          | Breakdown**  |  | 225 %                 |                 |                               |          |      |  |  |
| Terminal Box                                   |  | Main   |          | Cast Iron  |  | Moment of Inertia (J) |                 |                               |          |      |  |  |
|  |  | Aux.   |          | Yes  |  |                       |                 |                               |          |      |  |  |
| Location                                       |  | Refer to Outline Drawing   |          | Load(Max.)   |  | 1,550.000 lb.ft2      |                 |                               |          |      |  |  |
| Application                                    |  |  |          | Motor  |  | 129.342 lb.ft2        |                 |                               |          |      |  |  |
| Area classification                            |  | Hazardous  |          | Sound Pressure Level (No-load & mean value at 1m from motor) |  |                       |                 |                               |          |      |  |  |
| Type of Ex-Protection                          |  | Class I&II, Division 2   |          |  |  |                       |                 |                               |          |      |  |  |
| Applicable Standard                            |  | NEMA MG1, CSA C390   |          |  |  | 85 dB(A)              |                 |                               |          |      |  |  |
| <b>ACCESSORIES</b>                             |  |  |          |  | <b>SUBMITTAL DRAWING</b>   |                       |                 |                               |          |      |  |  |
| *. Space Heater : 1EA/Motor                    |  |  |          |  | Outline Dimension Drawing \ Motor Weight(Approx.)  |                       |                 |                               |          |      |  |  |
|  |  |  |          |  | B35  |                       | LM-T044XC4UE001 |                               | 3720 lb. |      |  |  |
|  |  |  |          |  |  |                       |                 |                               |          |      |  |  |
| <b>REMARK</b>                                  |  |  |          |  | 1. Premium efficiency according to NEMA MG1  |                       |                 |                               |          |      |  |  |
|  |  |  |          |  | 2. Inverter Duty @ 1.0 Service Factor & F Temperature rise<br>-. 10:1 VT (20:1 VT at 50% load)<br>-. 10:1 CT<br>-. CHp up to 1.5 times base speed, NEMA MG1 Part31 |                       |                 |                               |          |      |  |  |
| <b>SPARE PARTS</b>                             |  |  |          |  | 3. NDE side : Insulated bearing  |                       |                 |                               |          |      |  |  |
|  |  |  |          |  | 4. CSA Certification<br>-. Class I, Division 2, Group A, B, C & D; Temp code : T3<br>-. Class II, Division 2 Group F & G; Temp code : T3                           |                       |                 |                               |          |      |  |  |
|  |  |  |          |  | 5. Shaft material : AISI4140   |                       |                 |                               |          |      |  |  |
|  |  |  |          |  | Date   |                       | DSND            | CHKD                          | CHKD     | APPD |  |  |
| 2024-09-10                                     |  | S.H. Lee   | I.K. Kim | R.G. Kim   | S.W. Kim   |                       |                 |                               |          |      |  |  |

[Note] Others not mentioned in this data sheet shall be in accordance with maker standard.  
 Above technical data are only design values and shall be guaranteed with tolerance of applicable standard.  
 Inspection and performance test shall be done according to maker standard, if not mentioned.  
 \* In case of Inverter-Fed Motor, performance data is based on sine wave tests. It may be different from test data of Inverter combined motor.  
 \*\* Data is based on rated voltage & frequency and is expressed as a percentage of full-load value.

본 도면은 HD현대일렉트릭(주) 재산이며 허가없이 복사할 수 없음 (취급주의)

THIS DRAWING IS PROPRIETARY TO HYUNDAI ELECTRIC. NO PART OF THIS DRAWING MAYBE REPRODUCED WITHOUT THE PERMISSION OF HYUNDAI ELECTRIC.

| 1   | 2    | 3        | 4       |
|-----|------|----------|---------|
| REV | DATE | CONTENTS | REVD BY |
|     |      |          |         |
|     |      |          |         |
|     |      |          |         |

4.72


**CROWN TRITON**  
Premium Efficiency AC 3 Phase Motor






|                   |  |             |  |                        |   |           |                |
|-------------------|--|-------------|--|------------------------|---|-----------|----------------|
| 400HP             | 4P   | 460V        | Cat. No.   | HSDE400-18-L449TC-IBSH |   |           |                |
| Model             | LATER  |             | INS. Class                                       | F                      | Amps  | 444.8     |                |
| Type              | PJP  | Duty        | Code   | G                      | Amb.  | 40°C      |                |
| Frame             | L449TC   | Encl.       | S.F.   | 1.15                   | RPM   | 1785      |                |
| Bearing           | Drive  | 6322C3      | S.F.1.00 (10:1 C.T., 20:1 V.T., NEMA-MG1 Part31) |                        | 3/4 Eff.  | 95.2%     |                |
|                   | Opp.   | 6318C3-INS. |  |                        | NEMA Design   | B Torque  |                |
| Usable at         | 50Hz 335HP 380V 449.62A 1485rpm S.F.: 1.0 Eff.: 96% Code: G                        |             |  |                        |   |           |                |
|                   | 50Hz 335HP 400/415V 437.07/430.85A 1486/1487rpm S.F.: 1.0 Eff.: 96/96.1% Code: H/J |             |  |                        |   |           |                |
| CSA Certified for | CLASS I, Div. 2, Gr. A, B, C & D   |             | CLASS II, Div. 2, Gr. F & G                      |                        | Temp. Code<br>(sine wave)   | Frame     | L440FR - 500FR |
|                   | CLASS I, Zone 2, Gr. IIA, IIB, & IIC   |             |  |                        |   | Amb. 40°C | T3 (200°C)     |
|                   |  |             |  |                        |   | Amb. 55°C | T3 (200°C)     |
| No.               | -  |             | Date   | -                      |   | Weight    | 3720 lb        |
|                   | 4M-136053  |             | Made in Korea H1                                 |                        |  |           |                |

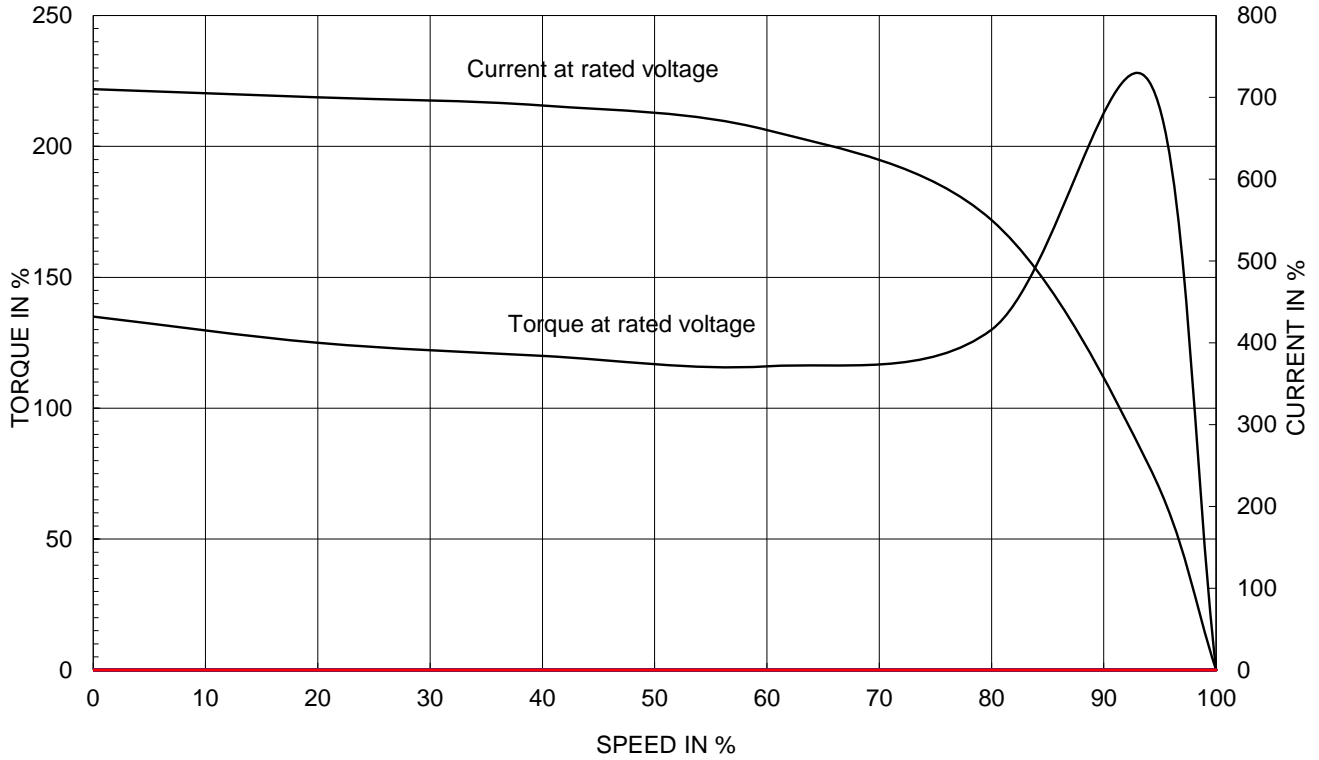
2.36

|   |         |          |            |                   |   |              |            |
|---|---------|----------|------------|-------------------|---|--------------|------------|
| APPD BY   | S.Y.KIM | UNIT     | INCH       | SUBJECT           | CSA Class I, Division2 Severe Duty (HSDE ,L449-500) | DWG SIZE     | A4 ( 1:1 ) |
| CHKD BY   | I.K.KIM | SCALE    | NONE       |                   |   |              |            |
| CHKD BY   | R.G.KIM | PROJEC'N | 3rd Angle  | NAMEPLATE DRAWING |   |              |            |
| DSND BY   | S.H.LEE | DATE     | 2024.06.07 |                   |   |              |            |
|  |         |          |            | REF. NO           | 4M-136053   | Sheet No.    | of         |
|   |         |          |            | DWG NO            | NP-HSDE400-18-L449TC-IBSH                           | Revision No. | 0          |

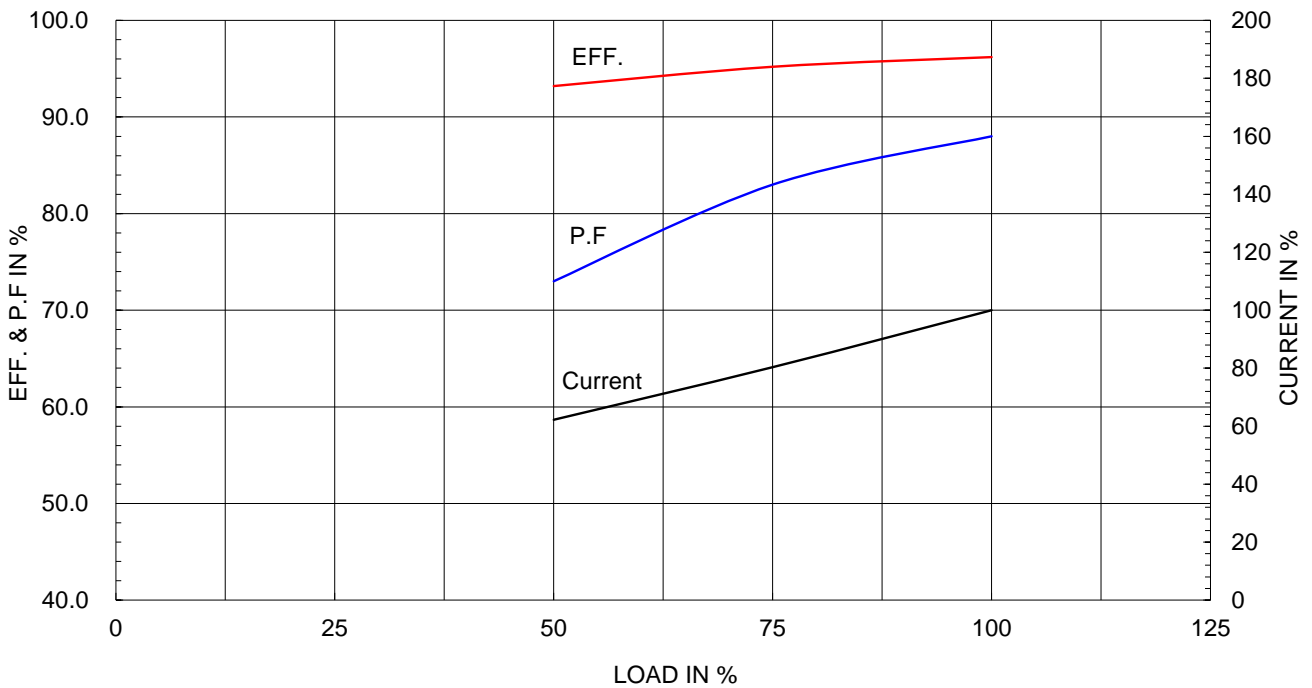
|                               |                             |
|-------------------------------|-----------------------------|
| Type :                        | PJP                         |
| Full Load Torque :            | 1184.0 lb.ft                |
| Load moment of Inertia (J) :  | 1550.000 lb.ft <sup>2</sup> |
| Motor moment of Inertia (J) : | 129.342 lb.ft <sup>2</sup>  |

|                      |        |               |
|----------------------|--------|---------------|
| 300kW 400HP          | 4 P    | 60 Hz         |
| Speed at Full Load : |        | 1785 RPM      |
| Rated Voltage        | 575V   | 460V 230V     |
| Full Load Current    | 355.8A | 444.8A 889.6A |

SPEED VS TORQUE & CURRENT CURVE



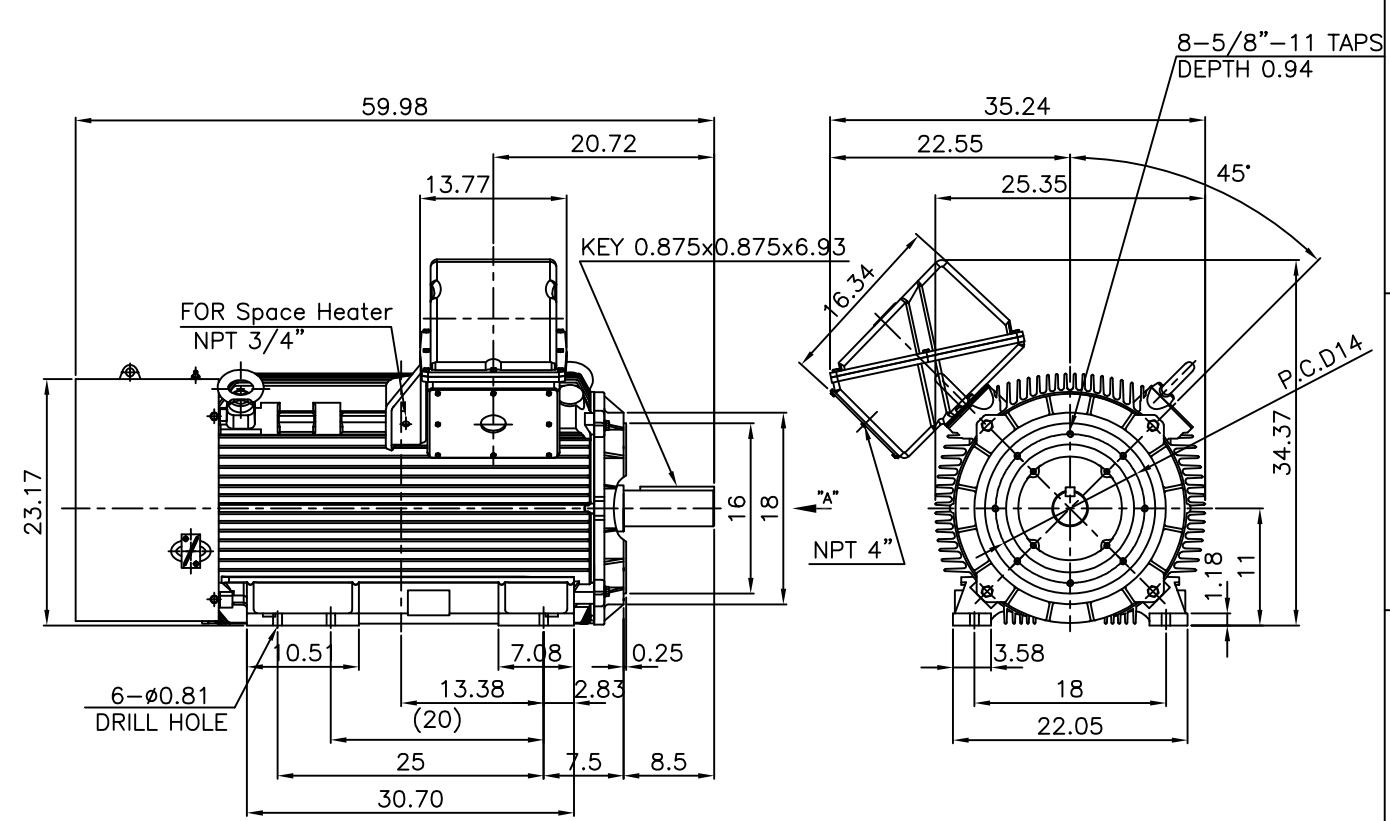
OUTPUT VS EFF., P.F & CURRENT CURVE



본 도면은 HD현대일렉트릭(주) 재산이며 허가없이 복사할 수 없음 (취급유의)

THIS DRAWING IS PROPRIETARY TO HYUNDAI ELECTRIC. NO PART OF THIS DRAWING MAYBE REPRODUCED WITHOUT THE PERMISSION OF HYUNDAI ELECTRIC.

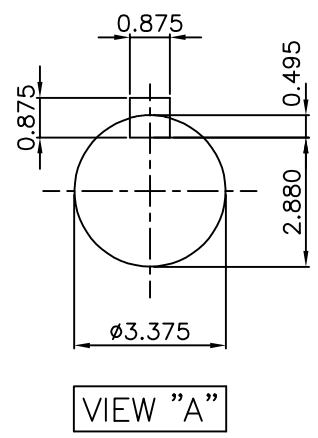
|      |       |     |      |          |         |         |         |         |
|------|-------|-----|------|----------|---------|---------|---------|---------|
| ▽    | 50S   | REV | DATE | CONTENTS | REVD BY | CHKD BY | CHKD BY | APPD BY |
| ▽▽   | 12.5S |     |      |          |         |         |         |         |
| ▽▽▽  | 3.2S  |     |      |          |         |         |         |         |
| ▽▽▽▽ | 0.4S  |     |      |          |         |         |         |         |



**NOTE**

1.TOLERANCE :

|                 |        |        |        |
|-----------------|--------|--------|--------|
| CENTER HEIGHT   | 11     | +0.000 | -0.060 |
| RABBET DIAMETER | ø16    | 0      | -0.005 |
| SHAFT DIAMETER  | ø3.375 | +0.000 | -0.001 |
| KEYWAY WIDTH    | 0.875  | +0.003 | -0.000 |



VIEW "A"

|         |         |          |                |         |                 |              |           |
|---------|---------|----------|----------------|---------|-----------------|--------------|-----------|
| APPD BY | S.Y.KIM | UNIT     | INCH           | SUBJECT | Fr.L449TC       | DWG SIZE     | A4 (1:18) |
| CHKD BY | O.J.KIM | SCALE    | 1/18           | TITLE   | OUTLINE         |              |           |
| CHKD BY | R.G.KIM | PROJEC'N | 3각법(3rd Angle) | REF. NO |                 | Sheet No.    | of        |
| DSND BY | H.K.LEE | DATE     | 2021-04-27     | DWG NO  | LM-T044XC4UE001 | Revision No. | 0         |



REF. NO: \_\_\_\_\_ Sheet No. \_\_\_\_\_ of \_\_\_\_\_  
 DWG NO: LM-T044XC4UE001 Revision No. 0

**Cls. I&II, Div. 2  
IEEE 841**

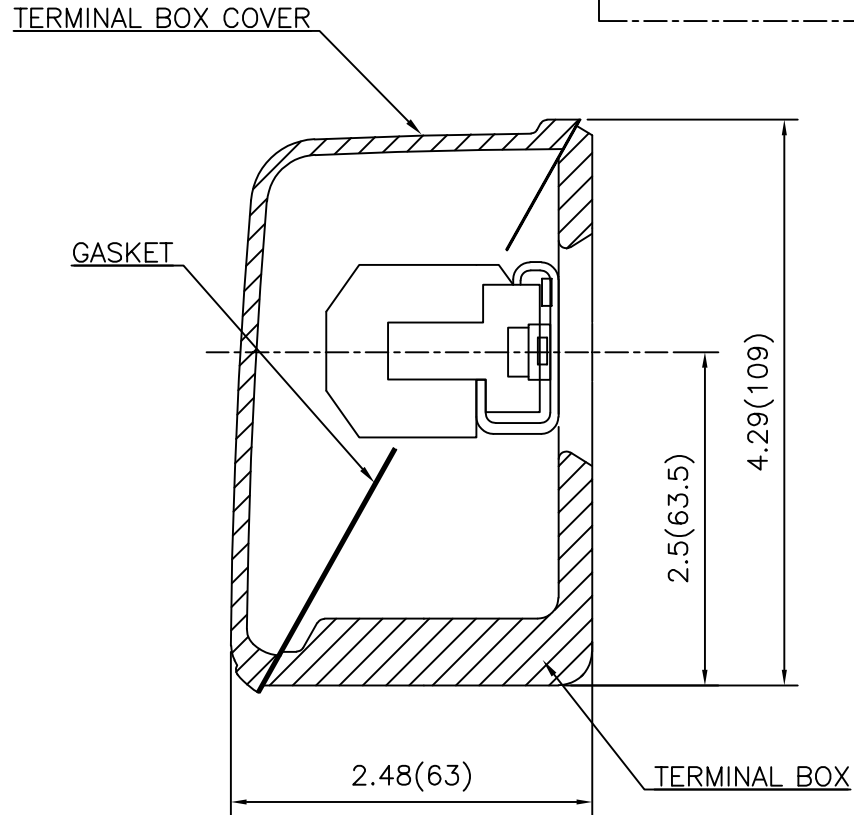


SEC. "A" - "A"

| REV | DATE | CONTENTS | REVD BY | CHKD BY | CHKD BY | APPD BY |
|-----|------|----------|---------|---------|---------|---------|
|     |      |          |         |         |         |         |
|     |      |          |         |         |         |         |

|         |         |          |            |         |                         |                |
|---------|---------|----------|------------|---------|-------------------------|----------------|
| APPD BY | S.Y.KIM | UNIT     | inch(mm)   | SUBJECT | FR. L440 (CAST IRON)    | DWG SIZE       |
| CHKD BY |         | SCALE    | 1/3.5      | TITLE   | MAIN TERMINAL BOX ASS'Y | A3 (1:3.5)     |
| CHKD BY | R.G.KIM | PROJEC'N | 3rd Angle  |         |                         |                |
| DSND BY | 최승희     | DATE     | 2023-10-19 |         |                         |                |
|         |         |          |            | REF. NO |                         | Sheet No. of   |
|         |         |          |            | DWG NO  | 3M-248452               | Revision No. 0 |

**Cls. I&II, Div. 2  
IEEE 841**



| REV | DATE | CONTENTS | REVD BY | CHKD BY | CHKD BY | APPD BY |
|-----|------|----------|---------|---------|---------|---------|
|     |      |          |         |         |         |         |
|     |      |          |         |         |         |         |

|         |         |          |            |         |                         |                |
|---------|---------|----------|------------|---------|-------------------------|----------------|
| APPD BY | S.Y.KIM | UNIT     | inch(mm)   | SUBJECT | FR.180 (CAST IRON)      | DWG SIZE       |
| CHKD BY |         | SCALE    | 1/1        | TITLE   | SUB. TERMINAL BOX ASS'Y | A3 (1:1.1)     |
| CHKD BY | R.G.KIM | PROJEC'N | 3rd Angle  |         |                         |                |
| DSND BY | 배승희     | DATE     | 2024-01-18 |         |                         |                |
|         |         |          |            | REF. NO |                         | Sheet No. of   |
|         |         |          |            | DWG NO  | 3M-165277               | Revision No. 0 |