

Customer :  
Project Name :  
Project No. :  
Revision No. :

# SPECIFICATION for INDUCTION MOTOR



0		For Bidding			
No.	DATE	DESCRIPTION	PREPARED BY	CHECKED BY	APPROVED BY



# AC INDUCTION MOTOR DATA SHEET

## Explosion Proof type

Catalog No.	IXHHI15-36-254T	Item No.		Rev. No.	[ ]
Project Name		Project No.		Quantity	sets

GENERAL SPECIFICATION			PERFORMANCE DATA			
Frame Size	254T		Rated Output	11 kW		15 HP
Type	XJP		Number of Poles	2		
Enclosure(Protection)	Totally Enclosed	/ IP55	Rotor Type	Squirrel Cage		
Method of Cooling	IC411(FC)		Starting Method*	D.O.L		
Rated Frequency	60 Hz		Rated Voltage	575 V	460 V	230 V
Number of Phases	3		Current	Full Load	13.8 A	17.2 A
Insulation Class	F			Locked-rotor**	710 %	710 %
Temp. Rise at full load (by resistance method)			Efficiency			
at 1.0 S.F			80 deg. C			
Motor Location	<input type="checkbox"/> Indoor <input type="checkbox"/> Outdoor		50% Load		88.0 %	
Altitude	Less than 1,000 meter		75% Load		90.0 %	
Relative Humidity	Less than 80 %		100% Load		91.0 %	
Ambient Temp.	40 deg. C (Max.)		Power Factor(p.u)			
Duty Type	Continuous ( S1 )		50% Load		0.730	
Service Factor	1.15		75% Load		0.830	
Mounting	B3		100% Load		0.880	
Bearing	Type	Anti-Friction	Speed at Full Load			
	DE/N-DE	6309ZC3 / 6309ZC3	3550 r.p.m			
	Lubricant	Grease(Polyrex-EM)	Torque			
External Thrust	Not applicable		Full Load		21.8 lb.ft	
Coupling Method	<input checked="" type="checkbox"/> Direct <input type="checkbox"/> V-belt		Locked-rotor**		150 %	
Shaft Extension	Single		Breakdown**		250 %	
Terminal Box	Main	Cast Iron	Moment of Inertia (J)			
	Aux.	No	Load(Max.)		15.597 lb.ft2	
Location	Refer to Outline Drawing		Motor		0.926 lb.ft2	
			Sound Pressure Level (No-load & mean value at 1m from motor)			
Application			79 dB(A)			
Area classification	Hazardous		Vibration			
Type of Ex-Protection	Class I&II, Division 1		0.0 mm/sec (peak)			
Applicable Standard	NEMA MG1, CSA C390, UL674		Permissible number of consecutive starts		Cold 0 times	
ACCESSORIES			Paint			
			Munsell No.		4.0PB5.4/5.5(VL-451)	
* W.T.D.(Thermostat, 145°C) : 1EA/Ph.			SUBMITTAL DRAWING			
			Outline Dimension Drawing		Motor Weight(Approx.)	
SPARE PARTS			B3		LM-U0254B3TL001	310 lb.
			REMARK			
			1. Premium efficiency according to NEMA MG1			
			2. Inverter Duty @ 1.0 Service Factor & Ambient max 45°C			
			-. 4:1 CT (10:1 CT at 1hour Duty)			
			-. 10:1 VT (20:1 VT at 50% load)			
			-. CHP up to 1.5 times base speed, NEMA MG1 Part31			
			3. Class I, Division 1, Group C&D			
			-. Temp.Code(Sine wave) : T2D at 40°C Amb./T2C at 55°C Amb.			
			T4 with Winding Temperature Detector			
			4. Class II, Division 1, Group F&G			
			-. Temp.Code(Sine wave) : T3B			
			Date	DSND	CHKD	CHKD
			2024-08-08	S.H. Lee	I.K. Kim	R.G. Kim
			S.W. Kim			

[Note] Others not mentioned in this data sheet shall be in accordance with maker standard.  
 Above technical data are only design values and shall be guaranteed with tolerance of applicable standard.  
 Inspection and performance test shall be done according to maker standard, if not mentioned.  
 \* In case of Inverter-Fed Motor, performance data is based on sine wave tests. It may be different from test data of Inverter combined motor.  
 \*\* Data is based on rated voltage & frequency and is expressed as a percentage of full-load value.

1	2	3	4
REV	DATE	CONTENTS	REVD BY CHKD BY CHKD BY APPD BY

# 4.72

## CROWN TRITON

Premium Efficiency AC 3 Phase Motor

**Explosion Proof**

US Energy Verified Only

CC038A

US LISTED

15HP	2P	230/460V	Cat. No. IXHHI15-36-254T	Amps	34.5/17.2	
Model	LATER		INS. Class F HD-F1	Hertz	60Hz	
Type	XJP	Duty	CONT	Code	H	
Frame	254T	Encl.	TEFC	S.F. 1.15	on sine wave power	
Bearing	Drive	6309ZC3		S.F. 1.00	on PWM or IGBT power	
	Opp.	6309ZC3		RPM	3550	
Usable at	50Hz 10HP 380V 16.7A 2960rpm S.F.: 1.0 Eff.: 88.1% Code: K					
	50Hz 10HP 400/415V 16.4/16.4A 2960/2965rpm S.F.: 1.0 Eff.: 88.1/88.1% Code: L/L					
UL Certified for	Class I, Div. 1, Group C&D / Class I, Zone 1, Group II A & II B			Temp. Code	T2D at 40°C Amb. / T2C at 55°C Amb.	
	10:1VT(20:1 at 50% load) 4:1CT(10:1 1hour duty at lowest RPM)				T4 With Thermostat	
No.	-		Date	-		
			Weight	310 lb		

4M-136066  
(NEMA 250~280Fr.)

Made in Korea H1

# 2.36

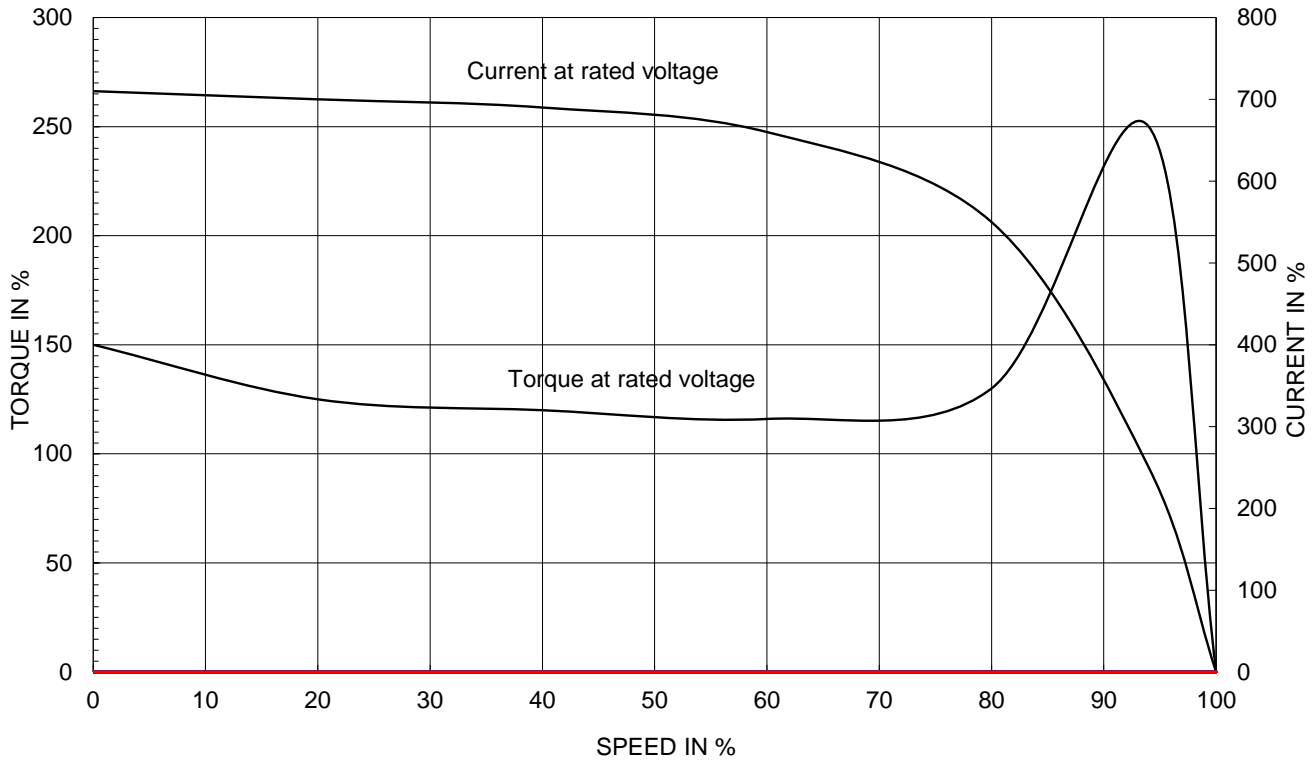
APPD BY	S.Y.KIM	UNIT	INCH	SUBJECT	UL Class I, Division1 (IXHHI)	DWG SIZE	A4 ( 1:1 )
CHKD BY	I.K.KIM	SCALE	NONE	TITLE	NAMEPLATE DRAWING		
CHKD BY	R.G.KIM	PROJEC'N	3rd Angle				
DSND BY	S.H.LEE	DATE	2024.06.07				
				REF. NO	4M-136066	Sheet No. of	
				DWG NO	NP-IXHHI15-36-254T	Revision No. 0	

1
2
3
4

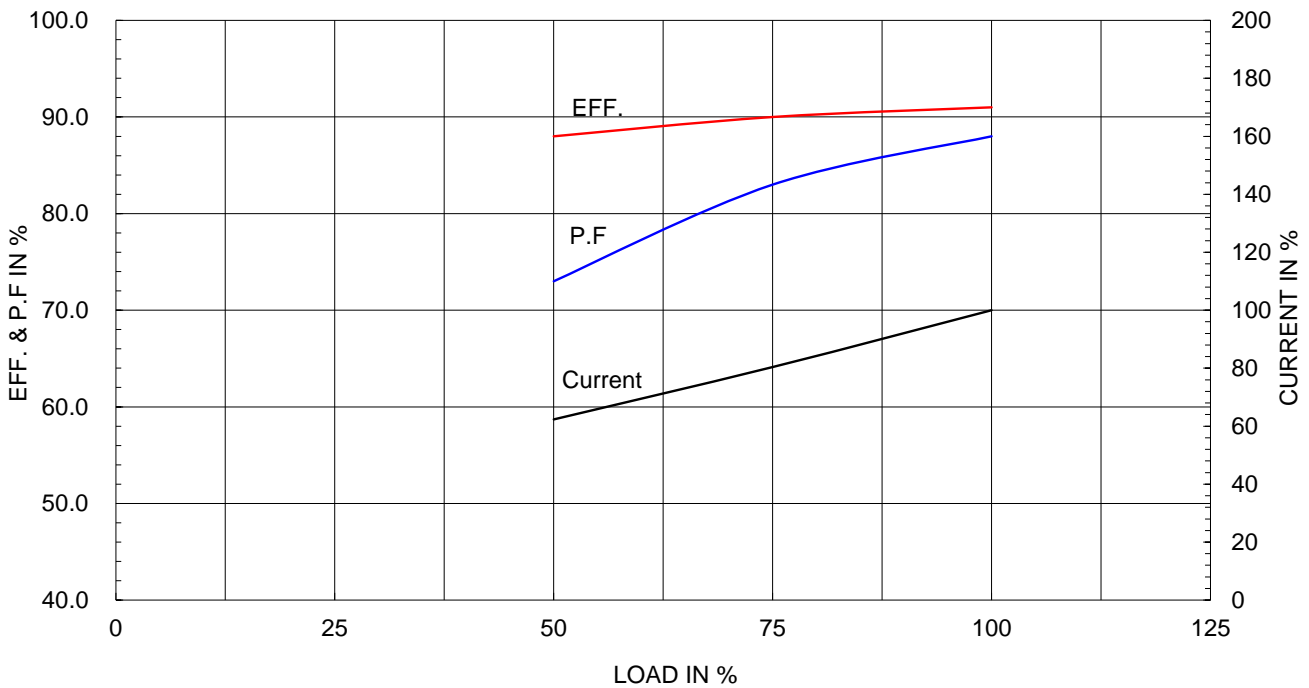
Type :	XJP
Full Load Torque :	21.8 lb.ft
Load moment of Inertia (J) :	15.597 lb.ft2
Motor moment of Inertia (J) :	0.926 lb.ft2

11kW 15HP	2 P	60 Hz
Speed at Full Load :		3550 RPM
Rated Voltage	575V	460V 230V
Full Load Current	13.8A	17.2A 34.5A

SPEED VS TORQUE & CURRENT CURVE



OUTPUT VS EFF., P.F & CURRENT CURVE

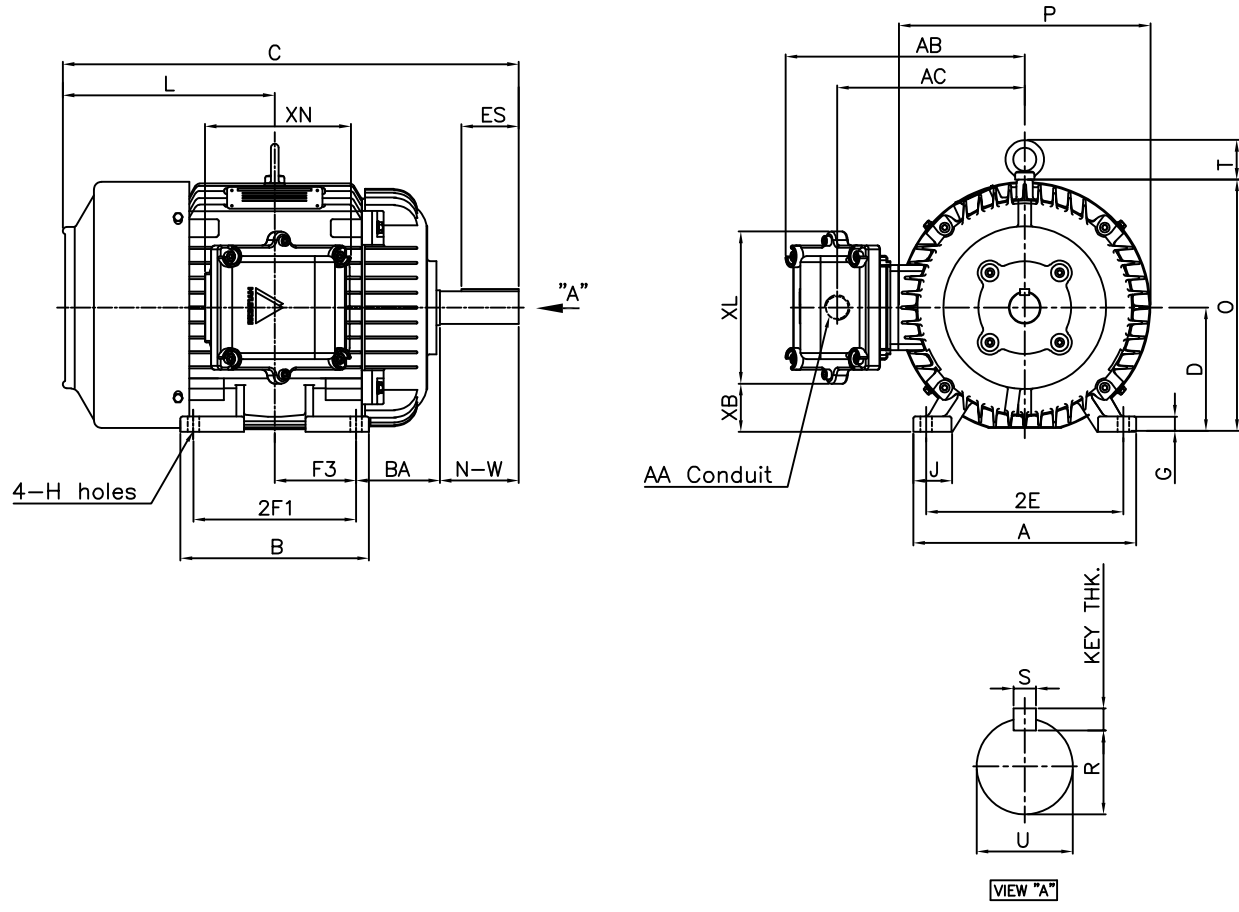


본 도면은 HD현대일렉트릭(주) 재산이며 허가없이 복사할 수 없음 (취급주의)

THIS DRAWING IS PROPRIETARY TO HYUNDAI ELECTRIC. NO PART OF THIS DRAWING MAYBE REPRODUCED WITHOUT THE PERMISSION OF HYUNDAI ELECTRIC.

1	2	3	4
▽	50S	REV	DATE
▽▽	12.5S		
▽▽▽	3.2S		
▽▽▽▽	0.4S		

## Class I Division 1



### DIMENSIONS

MOUNTING									CONDUIT BOX						APPROX. WGT.(LB)
A	B	2E	2F1	2F2	F3	G	J	H	AA	AB	AC	XB	XL	XN	
11.30	9.56	10.00	8.25	-	4.13	0.72	1.93	0.53	1.25	12.01	9.51	2.39	7.72	7.32	310

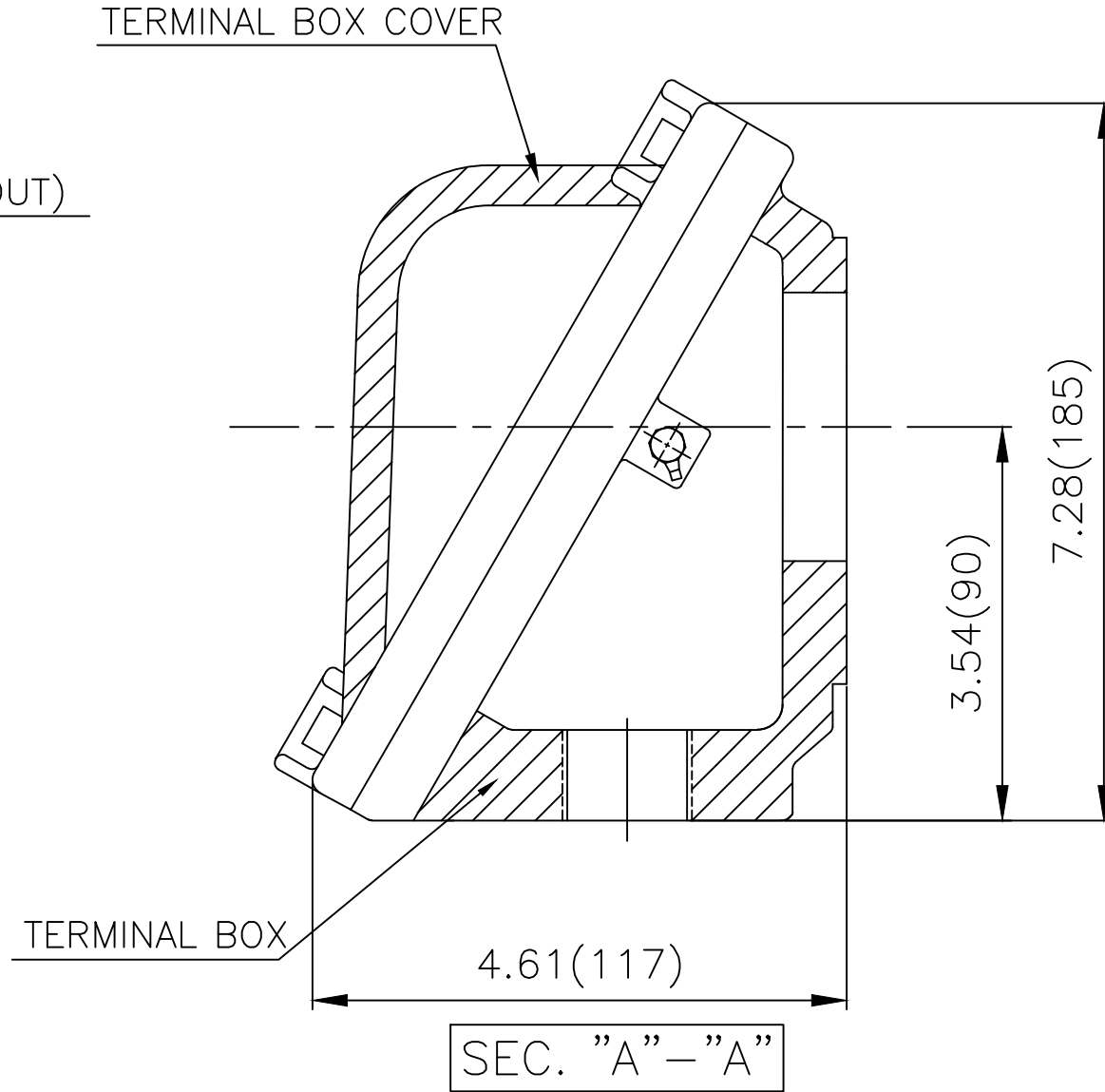
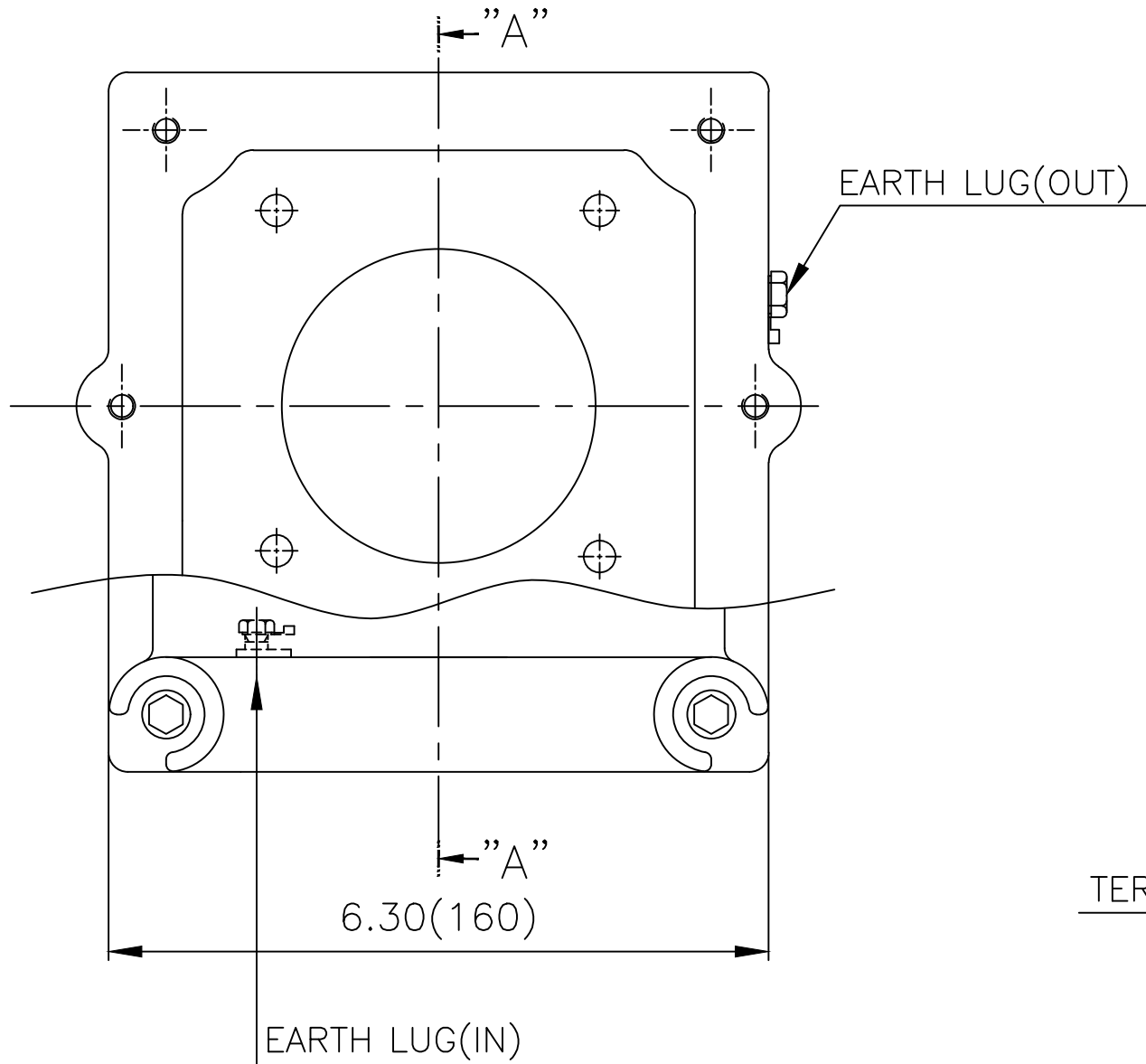
OVERALL						SHAFT						KEY THK.	BEARING	
BA	C	D	L	O	P	T	U	N-W	KEYWAY				DRIVE END	OPP. DRIVE END
									R	ES	S			
4.25	23.13	6.25	10.75	12.75	12.76	2.01	1.625	4.00	1.416	2.91	0.375	0.375	6309ZC3	6309ZC3

### NOTE

- Dimension "D" tolerance : +0.00inch - 0.03inch (143T-365T) ; +0.000inch - 0.06inch (404T-449T)
- Dimension "U" tolerance : +0.000inch - 0.005inch (143T-215T), +0.000inch - 0.001inch (254T-449T)
- Dimension "R" tolerance : +0.000inch - 0.015inch

APPD BY	S.Y.KIM	UNIT	inch	SUBJECT	NEMA 254T	DWG SIZE	A4 ( 1:10 )
CHKD BY	R.G.KIM	SCALE	1/10	TITLE	OUTLINE		
CHKD BY		PROJEC'N	3rd Angle				
DSND BY	J.H.JEON	DATE	2021-04-15				
				REF. NO		Sheet No.	of
				DWG NO	LM-U0254B3TL001	Revision No.	0

# Cls. I Div. 1



▽	50S
▽▽	12.5S
▽▽▽	3.2S
▽▽▽▽	0.4S

REV	DATE	CONTENTS	REVD BY	CHKD BY	CHKD BY	APPD BY

일반가공공차		일반제관공차	
1-4	±0.1	6-30	±0.5
4-18	±0.2	30-120	±0.8
18-63	±0.3	120-315	±1.2
63-250	±0.5	315-1000	±2.0
250-	±0.8	1000-	±3.0

Q'TY	DESCRIPTION	MATERIAL	DIMENSION	WEIGHT	PART NO.	REMARK	NO.
APPD BY	S.Y.KIM	UNIT	inch(mm)	SUBJECT	NEMA FR. 250~280(CAST IRON)	DWG SIZE	A3 (1:1.5)
CHKD BY	R.G.KIM	SCALE	1/1.5	TITLE	MAIN TERMINAL BOX ASS'Y		
CHKD BY		PROJEC'N	3rd Angle	REF. NO		Sheet No.	of
DSND BY	김은진	DATE	2023-11-08	DWG NO	3M-248637	Revision No.	0

