

Customer :
 Project Name :
 Project No. :
 Revision No. :

SPECIFICATION for INDUCTION MOTOR



0		For Bidding			
No.	DATE	DESCRIPTION	PREPARED BY	CHECKED BY	APPROVED BY

1	2	3	4
REV	DATE	CONTENTS	REVD BY CHKD BY CHKD BY APPD BY

4.72

CROWN TRITON

Premium Efficiency AC 3 Phase Motor

600HP 2P 460V	Cat. No. HSDE600-36-5812S-IBSHSP		
Model LATER	INS. Class F	Amps	662.4
Type HNE6	Duty CONT	Code G	Amb. 40°C
Frame 5812S	Encl. TEFC	S.F. 1.15	RPM 3570
Bearing	Drive 6316C3	S.F.1.00 (2:1 C.T., 10:1 V.T., NEMA-MG1 Part31)	
	Opp. 6316C3-INS.	NEMA Design	B Torque
Usable at	50Hz 475HP 380V 639.79A 2970rpm S.F.: 1.15 Eff.: 95.8% Code: H		
	50Hz 475HP 400/415V 614.78/599.39A 2972/2975rpm S.F.: 1.15 Eff.: 95.8/95.81% Code: H/J		
CSA Certified for	CLASS I, Div. 2, Gr. A, B, C & D		Temp. Code (sine wave)
	Frame	580FR	
No.	Date	Weight	6730 lb
4M-136358	Made in Korea H1		

2.36

APPD BY	S.Y.KIM	UNIT	INCH	SUBJECT	CSA Class I, Division2 Severe Duty (HSDE ,5812)	DWG SIZE
CHKD BY	I.K.KIM	SCALE	NONE	TITLE	NAMEPLATE DRAWING	A4 (1:1)
CHKD BY	R.G.KIM	PROJEC'N	3rd Angle			
DSND BY	S.H.LEE	DATE	2024.06.07			
				REF. NO	4M-136358	Sheet No. of
				DWG NO	NP-HSDE600-36-5812S-IBSHSP	Revision No. 0



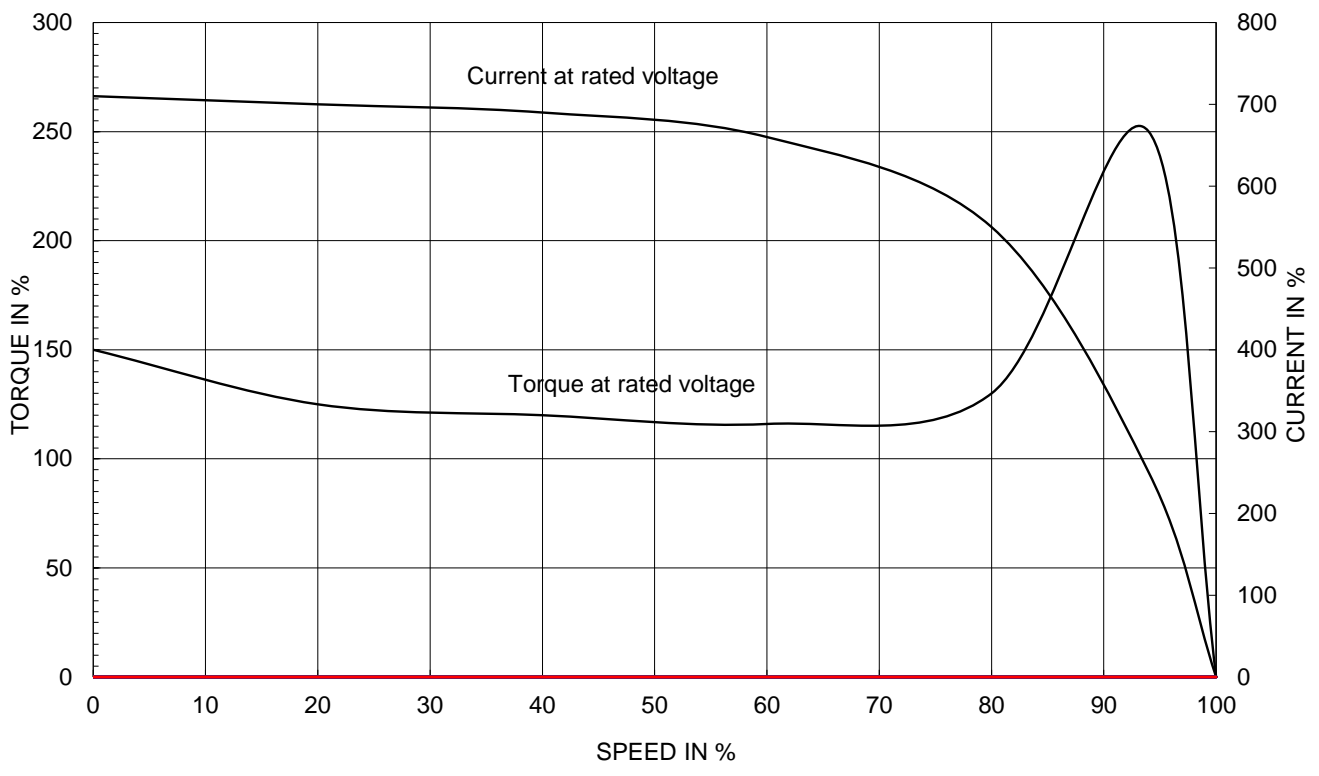
PERFORMANCE CURVE

CURVE NO.
PC-HSDE600-36-5812S-IBSHSP

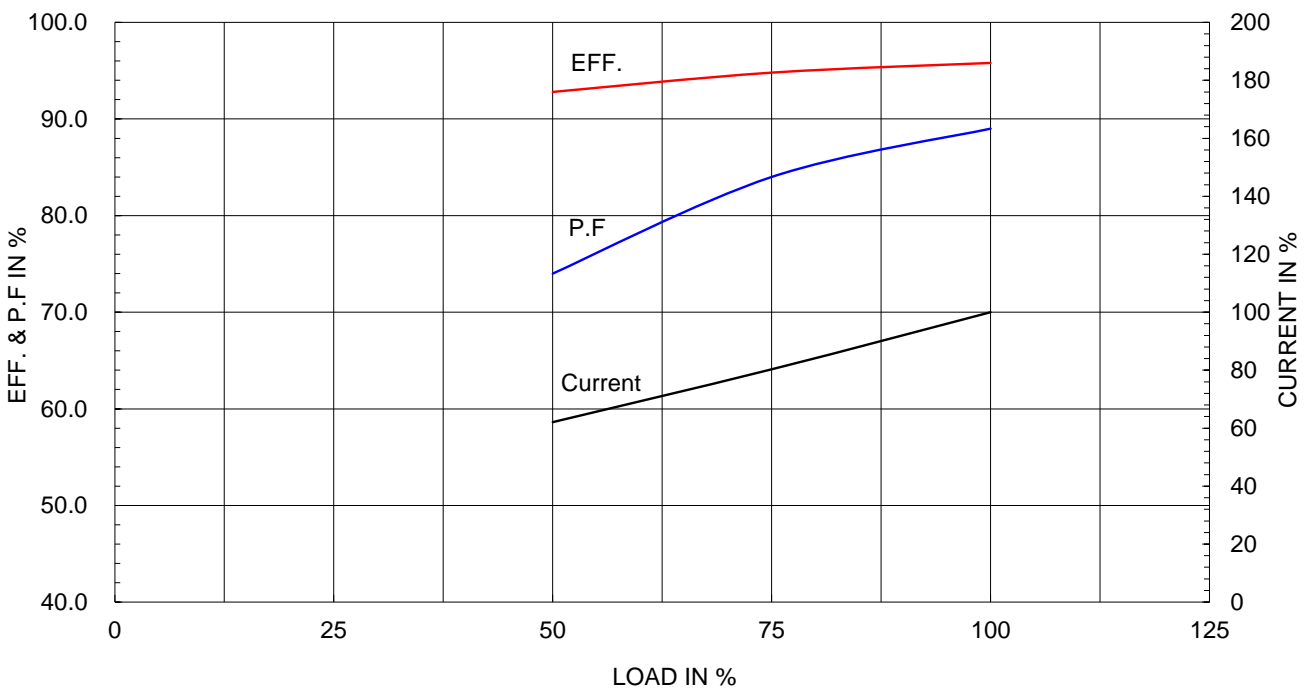
Type :	HNE6
Full Load Torque :	888.0 lb.ft
Load moment of Inertia (J) :	453.394 lb.ft2
Motor moment of Inertia (J) :	121.840 lb.ft2

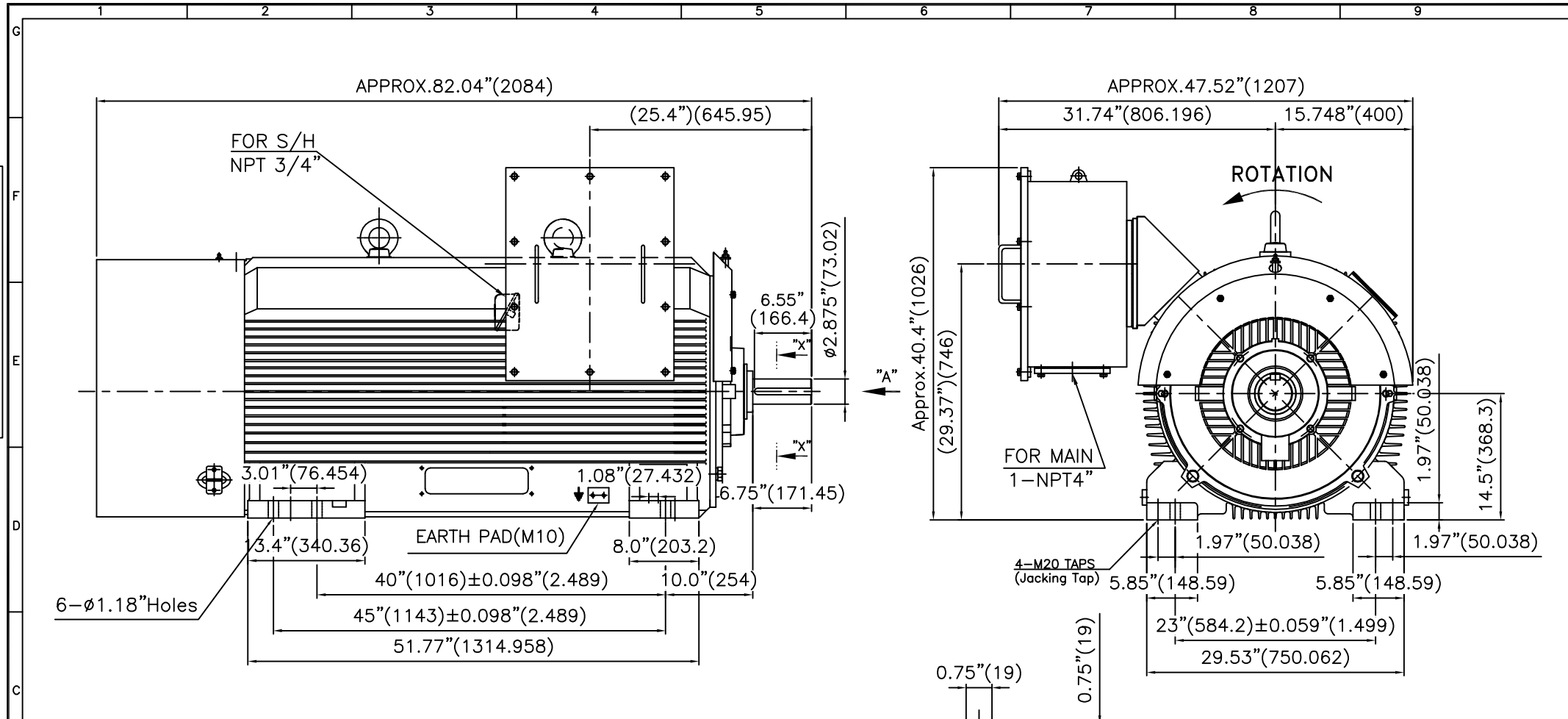
450kW 600HP	2 P	60 Hz
Speed at Full Load :		3570 RPM
Rated Voltage	575V	460V 230V
Full Load Current	529.9A	662.4A 1324.9A

SPEED VS TORQUE & CURRENT CURVE



OUTPUT VS EFF., P.F & CURRENT CURVE





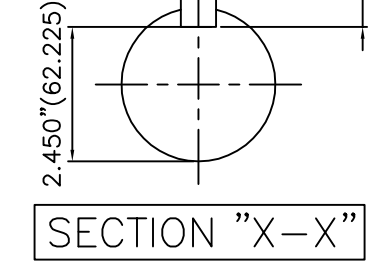
TECHNICAL INFORMATION

1) BEARING & LUBRICANT LIST

BEARING	Drive End	Non-Drive End
Bearing Type	6316C3	6316C3
Lubricant Type	GREASE	GREASE
Grease Type	Mobil(Polyrex-EM)	Mobil(Polyrex-EM)
Initial Charge Quantity	200 g	200 g
Mark-Up	Quantity	33 g
	Interval	2 MONTHS

2) TOLERANCE :

CENTER HEIGHT	14.5	+0.000	-0.060
SHAFT DIAMETER	ø2.875	+0.000	-0.001
KEYWAY WIDTH	0.75	+0.003	-0.000



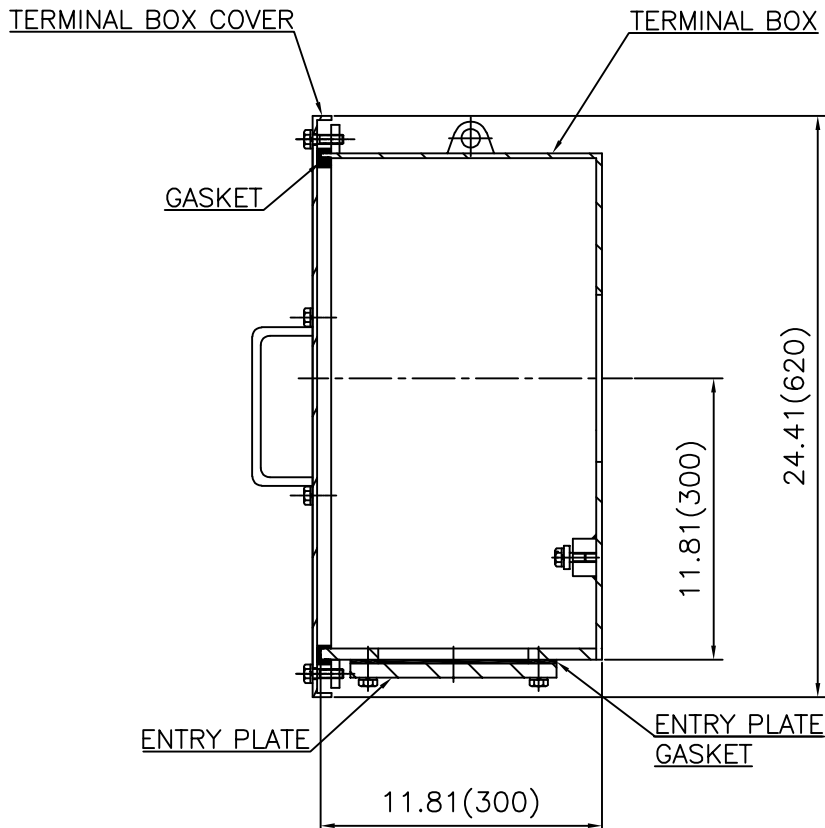
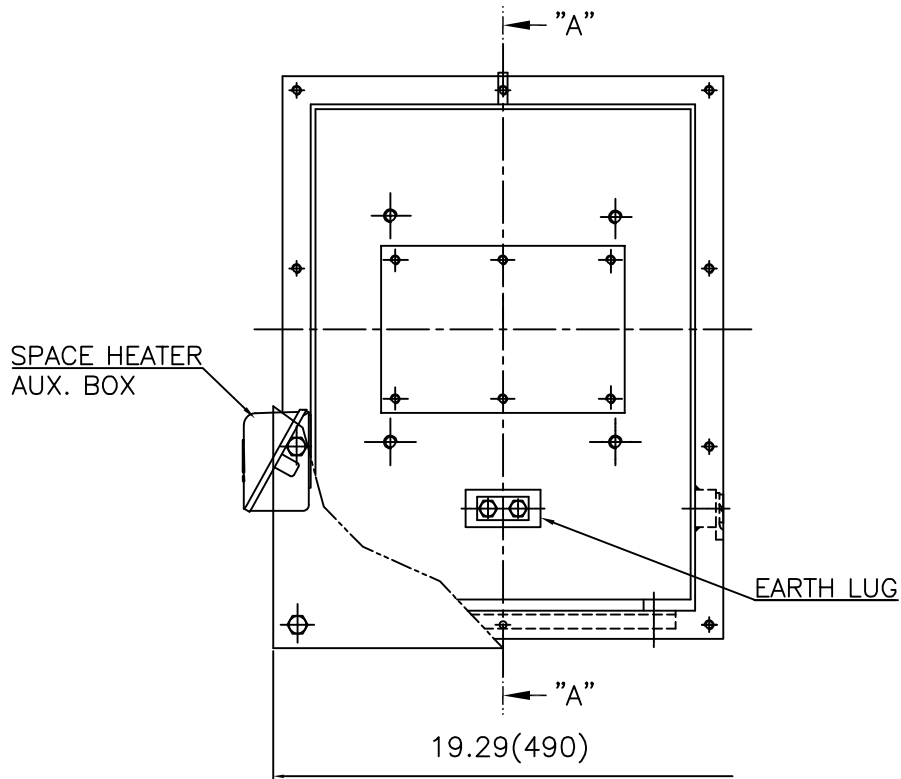
VIEW "A"

Q'TY	DESCRIPTION	MATERIAL	DIMENSION	WEIGHT	PART NO.	REMARK
APPD BY	S.K.HAN	UNIT	INCH(MM)	SUBJECT	Fr.5812-2P	
CHKD BY	S.Y.KIM	SCALE	1/12	TITLE	OUTLINE	
CHKD BY	R.G.KIM	PROJEC'N	3각법 (3rd Angle)	REF. NO		Sheet No. of
DSND BY	M.S.HA	DATE	2019.05.16	DWG NO	LM-T5812B3CE001	Revision No.



REV	DATE	CONTENTS	REVD BY	CHKD BY	CHKD BY	APPD BY
1						
2						
3						
4						

**Cls. I&II, Div. 2
IEEE 841**



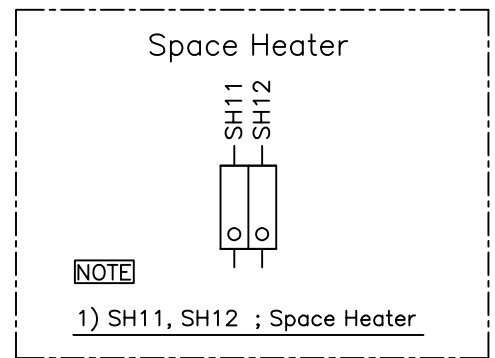
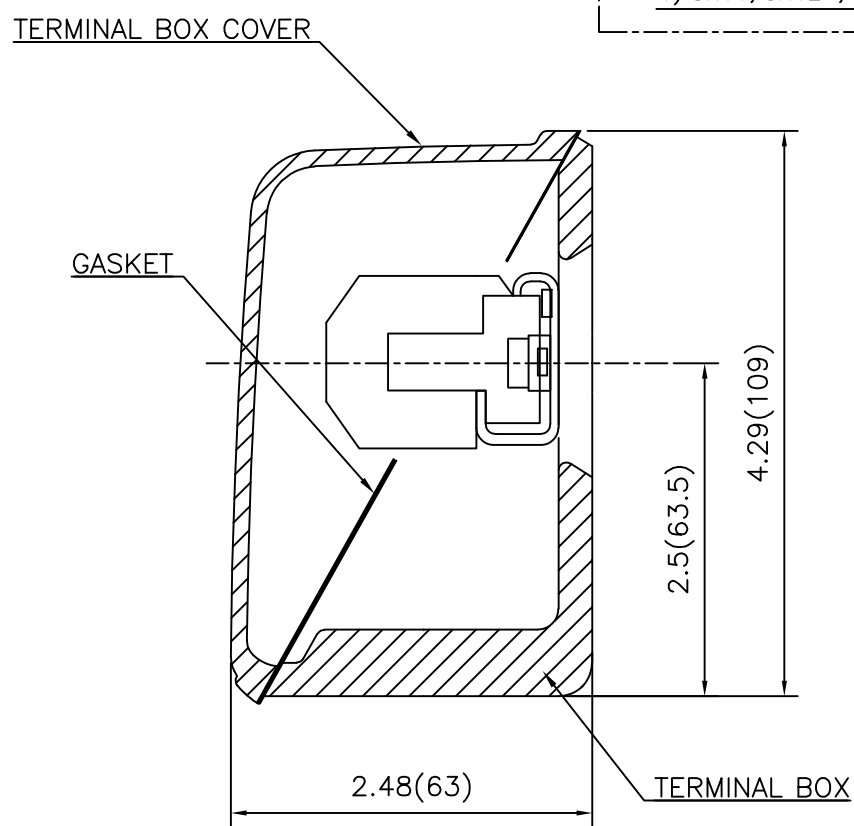
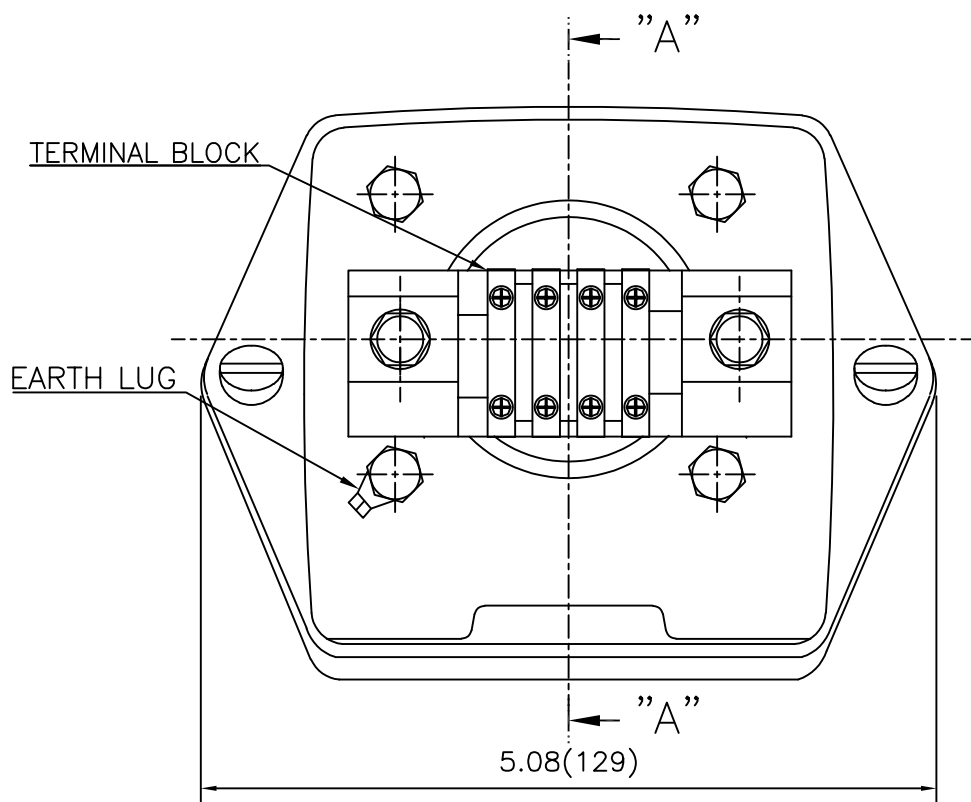
SEC. "A" - "A"

REV	DATE	CONTENTS	REVD BY	CHKD BY	CHKD BY	APPD BY
1						
2						
3						
4						

APPD BY	S.Y.KIM	UNIT	inch(mm)	SUBJECT	FR.580 (STEEL)	DWG SIZE	A3 (1:6)
CHKD BY		SCALE	1/6	TITLE	MAIN TERMINAL BOX ASS'Y		
CHKD BY	R.G.KIM	PROJEC'N	3rd Angle	REF. NO		Sheet No.	of
DSND BY	백승희	DATE	2023-10-25	DWG NO	3M-248512	Revision No.	0



**Cls. I&II, Div. 2
IEEE 841**



REV	DATE	CONTENTS	REVD BY	CHKD BY	CHKD BY	APPD BY

APPD BY	S.Y.KIM	UNIT	inch(mm)	SUBJECT	FR.180 (CAST IRON)	DWG SIZE	A3 (1:1.1)
CHKD BY		SCALE	1/1	TITLE	SUB. TERMINAL BOX ASS'Y		
CHKD BY	R.G.KIM	PROJEC'N	3rd Angle	REF. NO		Sheet No.	of
DSND BY	배승희	DATE	2024-01-18	DWG NO	3M-165278	Revision No.	0

