

Customer :  
Project Name :  
Project No. :  
Revision No. :

# SPECIFICATION for INDUCTION MOTOR



0		For Bidding			
No.	DATE	DESCRIPTION	PREPARED BY	CHECKED BY	APPROVED BY



# AC INDUCTION MOTOR DATA SHEET

## Explosion Proof type

Catalog No.	IXHHI60-36-364TS	Item No.	Rev. No.	[      ]
Project Name		Project No.	Quantity	sets

GENERAL SPECIFICATION		PERFORMANCE DATA				
Frame Size	364TS	Rated Output	45 kW      60 HP			
Type	XJP	Number of Poles	2			
Enclosure(Protection)	Totally Enclosed / IP55	Rotor Type	Squirrel Cage			
Method of Cooling	IC411(FC)	Starting Method*	D.O.L			
Rated Frequency	60 Hz	Rated Voltage	575 V	460 V	230 V	
Number of Phases	3	Current	Full Load	52.5 A	65.6 A	
Insulation Class	F		Locked-rotor**	680 %	680 %	680 %
Temp. Rise at full load (by resistance method)		Efficiency				
at 1.0 S.F	80 deg. C	50% Load		91.1 %		
Motor Location	<input type="checkbox"/> Indoor <input type="checkbox"/> Outdoor	75% Load		93.1 %		
Altitude	Less than 1,000 meter	100% Load		94.1 %		
Relative Humidity	Less than 80 %	Power Factor(p.u)				
Ambient Temp.	40 deg. C (Max.)	50% Load		0.765		
Duty Type	Continuous ( S1 )	75% Load		0.865		
Service Factor	1.15	100% Load		0.915		
Mounting	B3	Speed at Full Load	3570 r.p.m			
Bearing	Type	Anti-Friction				
	DE/N-DE	6213C3 / 6213C3				
	Lubricant	Grease(Polyrex-EM)				
External Thrust	Not applicable					
Coupling Method	<input checked="" type="checkbox"/> Direct <input type="checkbox"/> V-belt	Torque				
Shaft Extension	Single	Full Load		88.8 lb.ft		
Terminal Box	Main	Locked-rotor**		140 %		
	Aux.	Breakdown**		220 %		
Location	Refer to Outline Drawing	Moment of Inertia (J)				
Application		Load(Max.)		112.720 lb.ft2		
Area classification	Hazardous	Motor		9.280 lb.ft2		
Type of Ex-Protection	Class I, Division 1	Sound Pressure Level (No-load & mean value at 1m from motor)				
Applicable Standard	NEMA MG1, CSA C390, UL674			82 dB(A)		
<b>ACCESSORIES</b> *. W.T.D.(Thermostat, 145°C) : 1EA/Ph.		<b>SUBMITTAL DRAWING</b>				
		Outline Dimension Drawing		Motor Weight(Approx.)		
		B3	LM-U0364B3SL001	1047 lb.		
		<b>REMARK</b>				
		1. Premium efficiency according to NEMA MG1 2. Inverter Duty @ 1.0 Service Factor & Ambient max 45°C -. 4:1 CT (10:1 CT at 1hour Duty) -. 10:1 VT (20:1 VT at 50% load) -. CHP up to 1.5 times base speed, NEMA MG1 Part31 3. Temperature Code -. T3 at 40°C Ambient / T2D at 55°C Ambient -. T4 with Winding Temperature Detector				
<b>SPARE PARTS</b>		Date	DSND	CHKD	CHKD	APPD
		2024-07-14	S.H. Lee	I.K. Kim	R.G. Kim	S.W. Kim


[Note] Others not mentioned in this data sheet shall be in accordance with maker standard.  
 Above technical data are only design values and shall be guaranteed with tolerance of applicable standard.  
 Inspection and performance test shall be done according to maker standard, if not mentioned.  
 \* In case of Inverter-Fed Motor, performance data is based on sine wave tests. It may be different from test data of Inverter combined motor.  
 \*\* Data is based on rated voltage & frequency and is expressed as a percentage of full-load value.


1	2	3	4
REV	DATE	CONTENTS	REVD BY


4.72

**CROWN TRITON**  
Premium Efficiency AC 3 Phase Motor

**Explosion Proof**









60HP	2P	230/460V	Cat. No.	IXHHI60-36-364TS	Amps	131.2/65.	
Model	LATER		INS. Class	F HD-F1	Hertz	60Hz	
Type	XJP	Duty	CONT	Code	G	NEMA Norm. Eff.	94.1%
Frame	364TS	Encl.	TEFC	S.F.	1.15	3/4 Eff.	93.1%
Bearing	Drive	6213C3	S.F.	1.00	on sine wave power	NEMA Design	B
	Opp.	6213C3	RPM	3570	on PWM or IGBT power	Amb.	40°C
Usable at	50Hz 50HP 380V 65.6A 2968rpm S.F.: 1.0 Eff.: 93.7% Code: G						
	50Hz 50HP 400/415V 62.3/60.1A 2972/2975rpm S.F.: 1.0 Eff.: 93.9/94.1% Code: G/H						
UL Certified for	Class I, Div. 1, Group C&D / Class I, Zone 1, Group IIA & IIB				Temp. Code	T3 at 40°C Amb. / T2D at 55°C Amb.	
	10:1VT(20:1 at 50% load) 4:1CT(10:1 1hour duty at lowest RPM)					T4 With Thermostat	
No.	-		Date	-		Weight	1047.195

4M-136067  
(NEMA 320~444Fr.)

Made in Korea H1



2.36

APPD BY	S.Y.KIM	UNIT	INCH	SUBJECT	UL Class I, Division1 (IXHHI)	DWG SIZE
CHKD BY	I.K.KIM	SCALE	NONE			A4 ( 1:1 )
CHKD BY	R.G.KIM	PROJEC'N	3rd Angle	TITLE <b>NAMEPLATE DRAWING</b>		
DSND BY	S.H.LEE	DATE	2024.06.07			
				REF. NO	<b>4M-136067</b>	Sheet No. of
				DWG NO	<b>NP-IXHHI60-36-364TS</b>	Revision No. <b>0</b>



# PERFORMANCE CURVE

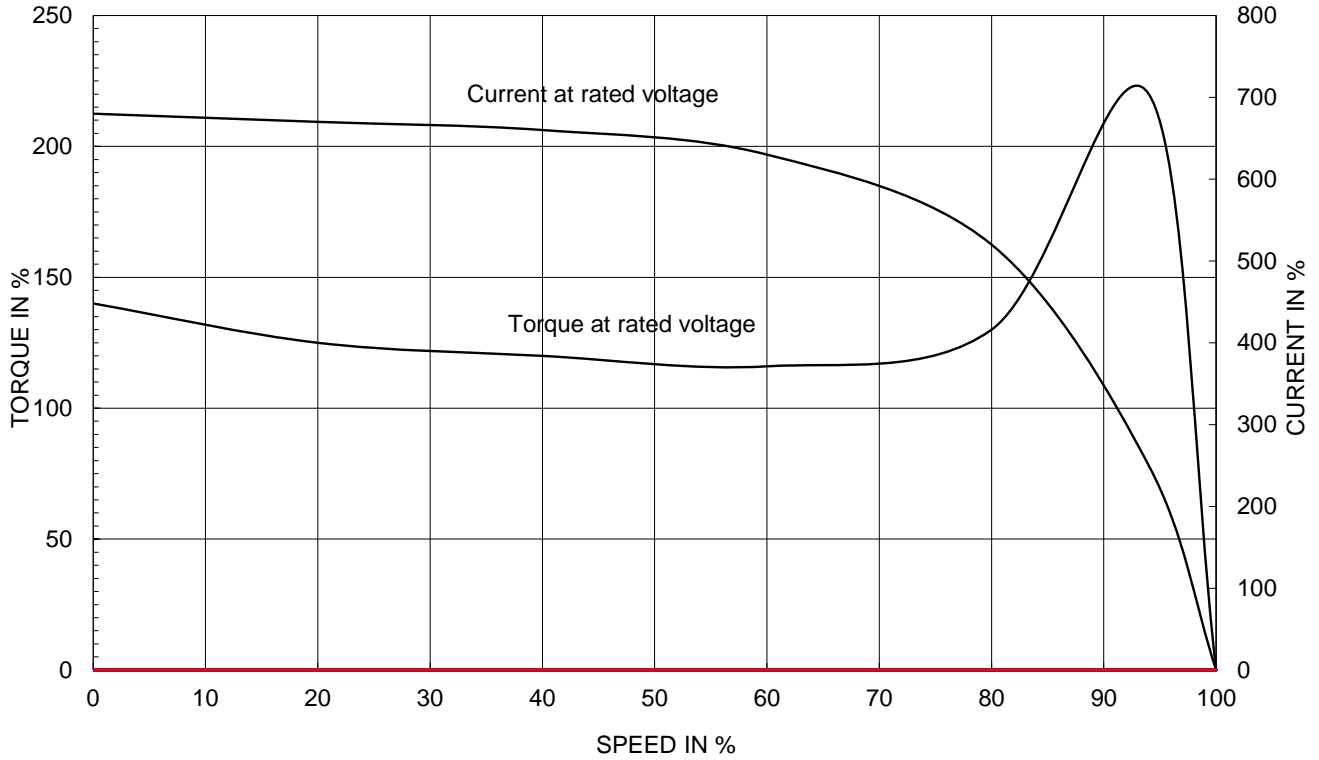
CURVE NO.

PC-IXHHI60-36-364TS

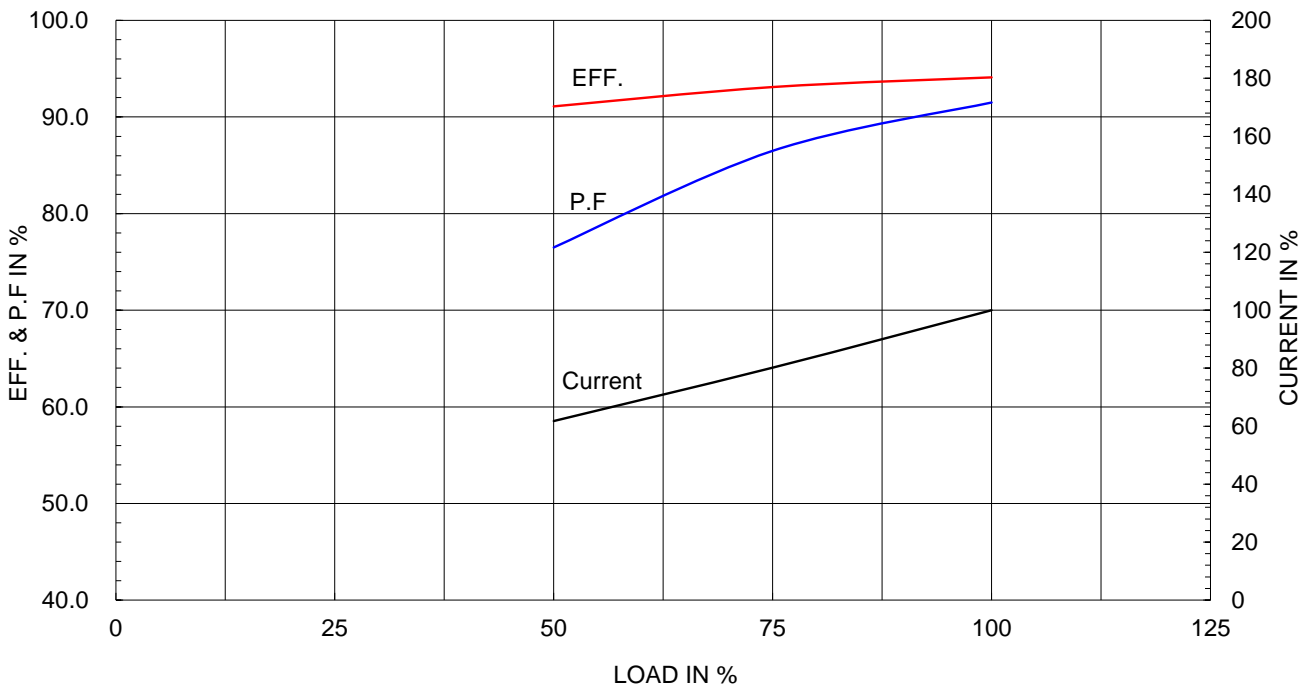
Type :	XJP
Full Load Torque :	88.8 lb.ft
Load moment of Inertia (J) :	112.720 lb.ft2
Motor moment of Inertia (J) :	9.280 lb.ft2

45kW	60HP	2 P	60 Hz
Speed at Full Load :			3570 RPM
Rated Voltage	575V	460V	230V
Full Load Current	52.5A	65.6A	131.2A

SPEED VS TORQUE & CURRENT CURVE



OUTPUT VS EFF., P.F & CURRENT CURVE

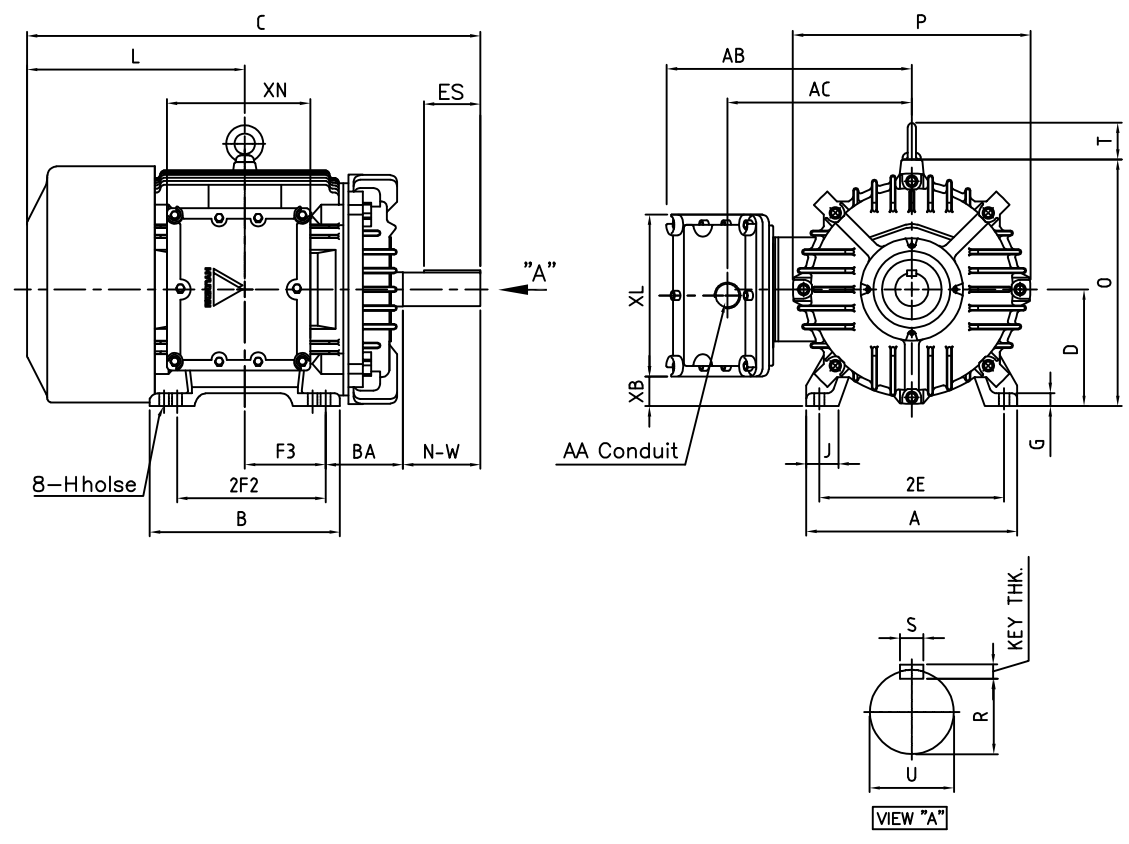


본 도면은 HD현대일렉트릭(주) 재산이며 허가없이 복사할 수 없음 (최급유익)

THIS DRAWING IS PROPRIETARY TO HYUNDAI ELECTRIC. NO PART OF THIS DRAWING MAYBE REPRODUCED WITHOUT THE PERMISSION OF HYUNDAI ELECTRIC.

1	2	3	4
▽	50S	REV	DATE
▽▽	12.5S		
▽▽▽	3.2S		
▽▽▽▽	0.4S		

**Class I Division 1**



DIMENSIONS

MOUNTING									CONDUIT BOX						APPROX. WGT.(LB)
A	B	2E	2F1	2F2	F3	G	J	H	AA	AB	AC	XB	XL	XN	2P: 1047 or 4P: 1113 or 6P: 1113
15.98	14.41	14.00	-	11.25	6.122	0.98	2.44	0.66	3.00	18.89	14.37	2.24	12.28	10.86	

OVERALL					SHAFT					KEY	BEARING			
BA	C	D	L	O	P	T	U	N-W	KEYWAY			THK.	DRIVE END	OPP. DRIVE END
									R	ES	S			
5.88	34.01	9.00	16.51	18.70	18.03	2.80	1.875	3.75	1.591	2.03	0.500	0.500	6213C3	6213C3

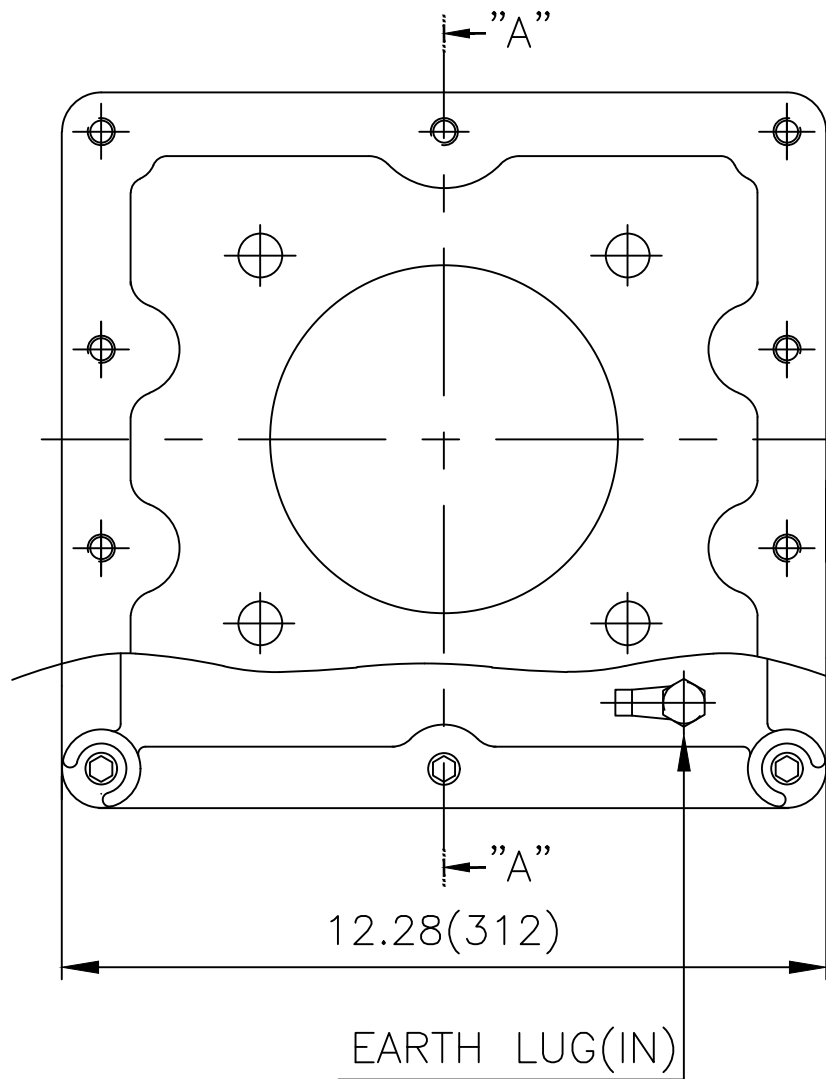
NOTE

1. Dimension "D" tolerance : +0.00inch - 0.03inch (143T-365T) ; +0.000inch - 0.06inch (404T-449T)
2. Dimension "U" tolerance : +0.000inch - 0.005inch (143T-215T), +0.000inch - 0.001inch (254T-449T)
3. Dimension "R" tolerance : +0.000inch - 0.015inch

APPD BY	S.Y.KIM	UNIT	inch	SUBJECT	364TS	DWG SIZE	A4 ( 1:15 )
CHKD BY	R.G.KIM	SCALE	1/15	TITLE	OUTLINE	Sheet No.	of
CHKD BY		PROJEC'N	3rd Angle				
DSND BY	J.H.JEON	DATE	2021-04-19				
				REF. NO		Sheet No.	of
				DWG NO	LM-U0364B3SL001	Revision No.	0

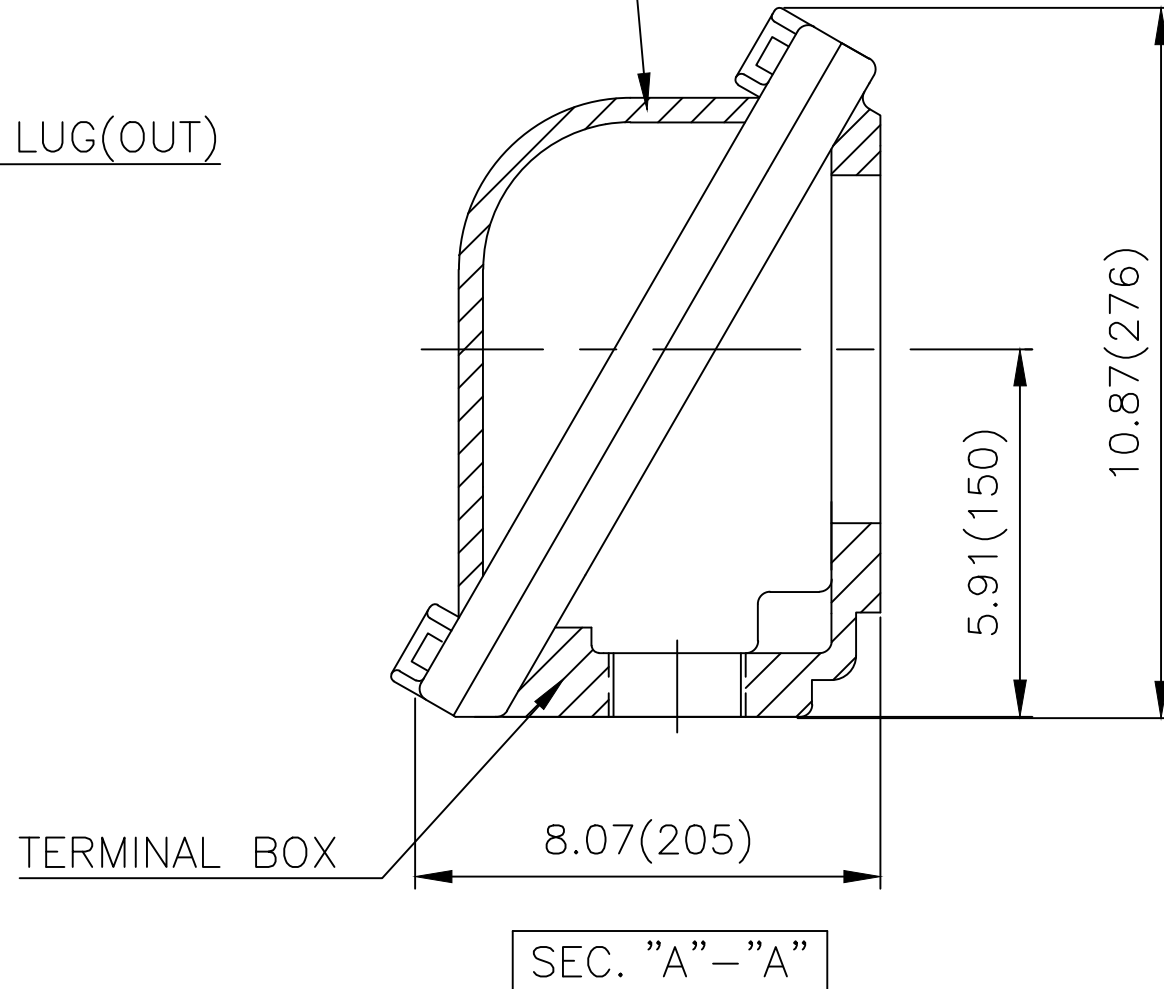


# Cls. I Div. 1



EARTH LUG(OUT)

TERMINAL BOX COVER



▽	50S
▽▽	12.5S
▽▽▽	3.2S
▽▽▽▽	0.4S

REV	DATE	CONTENTS	REVD BY	CHKD BY	CHKD BY	APPD BY

일반가공공차		일반제관공차	
1-4	±0.1	6-30	±0.5
4-18	±0.2	30-120	±0.8
18-63	±0.3	120-315	±1.2
63-250	±0.5	315-1000	±2.0
250-	±0.8	1000-	±3.0

Q'TY	DESCRIPTION	MATERIAL	DIMENSION	WEIGHT	PART NO.	REMARK	NO.
APPD BY	S.Y.KIM	UNIT	inch(mm)	SUBJECT	NEMA FR. 360(CAST IRON)	DWG SIZE	A3 ( 1:3 )
CHKD BY	R.G.KIM	SCALE	1/3	TITLE	MAIN TERMINAL BOX ASS'Y		
CHKD BY		PROJEC'N	3rd Angle	REF. NO		Sheet No.	of
DSND BY	김은진	DATE	2023-11-08	DWG NO	3M-248635	Revision No.	0

