

Customer :  
Project Name :  
Project No. :  
Revision No. :

# SPECIFICATION for INDUCTION MOTOR



0		For Bidding			
No.	DATE	DESCRIPTION	PREPARED BY	CHECKED BY	APPROVED BY



# AC INDUCTION MOTOR DATA SHEET

## Explosion Proof type

Catalog No.	IXHHI200-12-449T	Item No.		Rev. No.	[ ]
Project Name		Project No.		Quantity	sets

GENERAL SPECIFICATION			PERFORMANCE DATA			
Frame Size	449T		Rated Output	150 kW		200 HP
Type	XJP		Number of Poles	6		
Enclosure(Protection)	Totally Enclosed	/ IP55	Rotor Type	Squirrel Cage		
Method of Cooling	IC411(FC)		Starting Method*	D.O.L		
Rated Frequency	60 Hz		Rated Voltage	575 V	460 V	230 V
Number of Phases	3		Current	Full Load	185.0 A	231.2 A
Insulation Class	F			Locked-rotor**	680 %	680 %
Temp. Rise at full load (by resistance method)			Efficiency			
at 1.0 S.F	80 deg. C		50% Load		92.8 %	
Motor Location	<input type="checkbox"/> Indoor <input type="checkbox"/> Outdoor		75% Load		94.8 %	
Altitude	Less than 1,000 meter		100% Load		95.8 %	
Relative Humidity	Less than 80 %		Power Factor(p.u)			
Ambient Temp.	40 deg. C (Max.)		50% Load		0.700	
Duty Type	Continuous ( S1 )		75% Load		0.800	
Service Factor	1.15		100% Load		0.850	
Mounting	B3		Speed at Full Load	1185 r.p.m		
Bearing	Type	Anti-Friction	Torque			
	DE/N-DE	NU320 / 6318C3	Full Load		891.8 lb.ft	
	Lubricant	Grease(Polyrex-EM)	Locked-rotor**		140 %	
External Thrust	Not applicable		Breakdown**		220 %	
Coupling Method	<input checked="" type="checkbox"/> Direct <input type="checkbox"/> V-belt		Moment of Inertia (J)			
Shaft Extension	Single		Load(Max.)		5,321.561 lb.ft2	
Terminal Box	Main	Cast Iron	Motor		153.550 lb.ft2	
	Aux.	No	Sound Pressure Level (No-load & mean value at 1m from motor)			
	Location	Refer to Outline Drawing			80 dB(A)	
Application			Vibration			
Area classification	Hazardous				0.0 mm/sec (peak)	
Type of Ex-Protection	Class I, Division 1		Permissible number of consecutive starts		Cold 0 times	
Applicable Standard	NEMA MG1, CSA C390, UL674		Hot		0 times	
	Paint	Munsell No.	4.0PB5.4/5.5(VL-451)			

### ACCESSORIES

\*. W.T.D.(Thermostat, 145°C) : 1EA/Ph.

### SPARE PARTS

### SUBMITTAL DRAWING

Outline Dimension Drawing		Motor Weight(Approx.)	
B3	LM-U0449B3TL001	3086 lb.	

### REMARK

- Premium efficiency according to NEMA MG1
- Inverter Duty @ 1.0 Service Factor & Ambient max 45°C
  - 4:1 CT (10:1 CT at 1hour Duty)
  - 10:1 VT (20:1 VT at 50% load)
  - CHP up to 1.5 times base speed, NEMA MG1 Part31
- Temperature Code
  - T3 at 40°C Ambient / T2D at 55°C Ambient
  - T4 with Winding Temperature Detector @ 1.0 Service Factor

Date	DSND	CHKD	CHKD	APPD
2024-07-14	S.H. Lee	I.K. Kim	R.G. Kim	S.W. Kim


[Note] Others not mentioned in this data sheet shall be in accordance with maker standard.  
 Above technical data are only design values and shall be guaranteed with tolerance of applicable standard.  
 Inspection and performance test shall be done according to maker standard, if not mentioned.  
 \* In case of Inverter-Fed Motor, performance data is based on sine wave tests. It may be different from test data of Inverter combined motor.  
 \*\* Data is based on rated voltage & frequency and is expressed as a percentage of full-load value.


1	2	3	4
REV	DATE	CONTENTS	REVD BY


4.72

**CROWN TRITON**  
Premium Efficiency AC 3 Phase Motor

**Explosion Proof**









200HP	6P	460V	Cat. No.	IXHHI200-12-449T	Amps	231.2	
Model	LATER		INS. Class	F HD-F1	Hertz	60Hz	
Type	XJP	Duty	CONT	Code	G	NEMA Nom. Eff.	95.8%
Frame	449T	Encl.	TEFC	S.F.	1.15	on sine wave power	3/4 Eff. 94.8%
Bearing	Drive	NU320	S.F.	1.00	on PWM or IGBT power	NEMA Design	B
	Opp.	6318C3	RPM	1185		Amb.	40°C
Usable at	50Hz 150HP 380V 206.9A 985rpm S.F.: 1.0 Eff.: 95.5% Code: H						
	50Hz 150HP 400/415V 199.4/195A 986/987rpm S.F.: 1.0 Eff.: 95.6/95.7% Code: J/K						
UL Certified for	Class I, Div. 1, Group C&D / Class I, Zone 1, Group II A & II B				Temp. Code (sine wave)	T3 at 40°C Amb. / T2D at 55°C Amb.	
	10:1VT(20:1 at 50% load) 4:1CT(10:1 1hour duty at lowest RPM)					T4 (S.F.:1.0) With Thermostat TH01 145°C TH02	
No.	-		Date	-		Weight	3086.472

4M-136016  
(NEMA 445~449Fr.)

Made in Korea H1



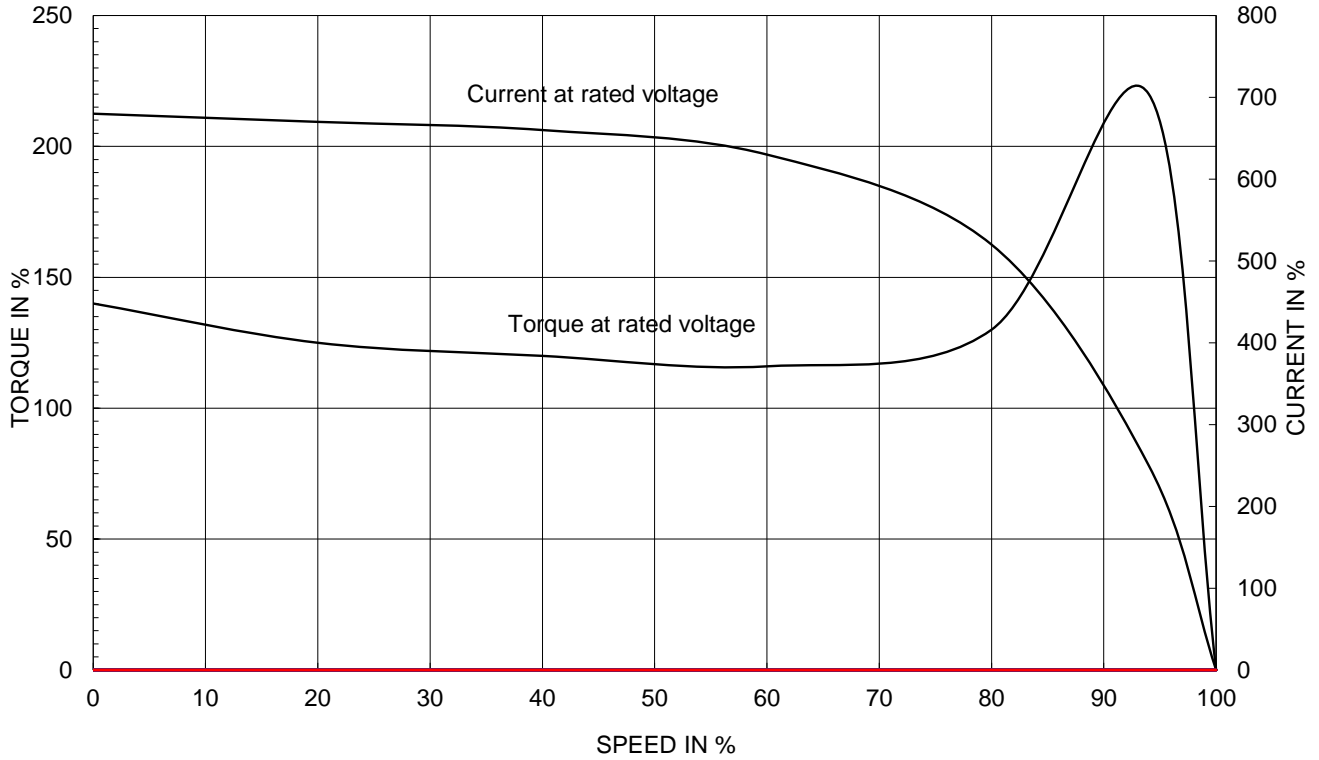
2.36

APPD BY	S.Y.KIM	UNIT	INCH	SUBJECT	UL Class I, Division1 (IXHHI)	DWG SIZE	A4 ( 1:1 )
CHKD BY	I.K.KIM	SCALE	NONE				
CHKD BY	R.G.KIM	PROJEC'N	3rd Angle	TITLE <b>NAMEPLATE DRAWING</b>			
DSND BY	S.H.LEE	DATE	2024.06.07				
				REF. NO	<b>4M-136016</b>	Sheet No. of	
				DWG NO	<b>NP-IXHHI200-12-449T</b>	Revision No. <b>0</b>	

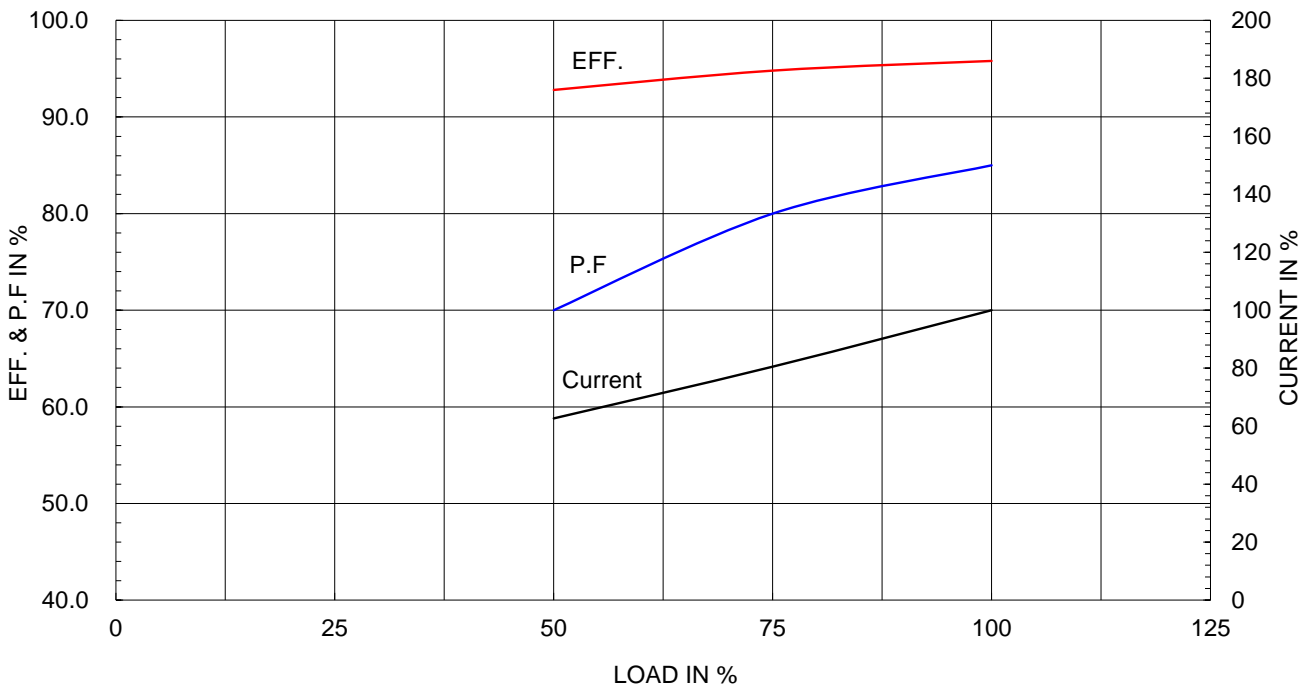
Type :	XJP	
Full Load Torque :	891.8	lb.ft
Load moment of Inertia (J) :	5321.561	lb.ft <sup>2</sup>
Motor moment of Inertia (J) :	153.550	lb.ft <sup>2</sup>

150kW	200HP	6 P	60 Hz
Speed at Full Load :			1185 RPM
Rated Voltage	575V	460V	230V
Full Load Current	185.0A	231.2A	462.4A

SPEED VS TORQUE & CURRENT CURVE

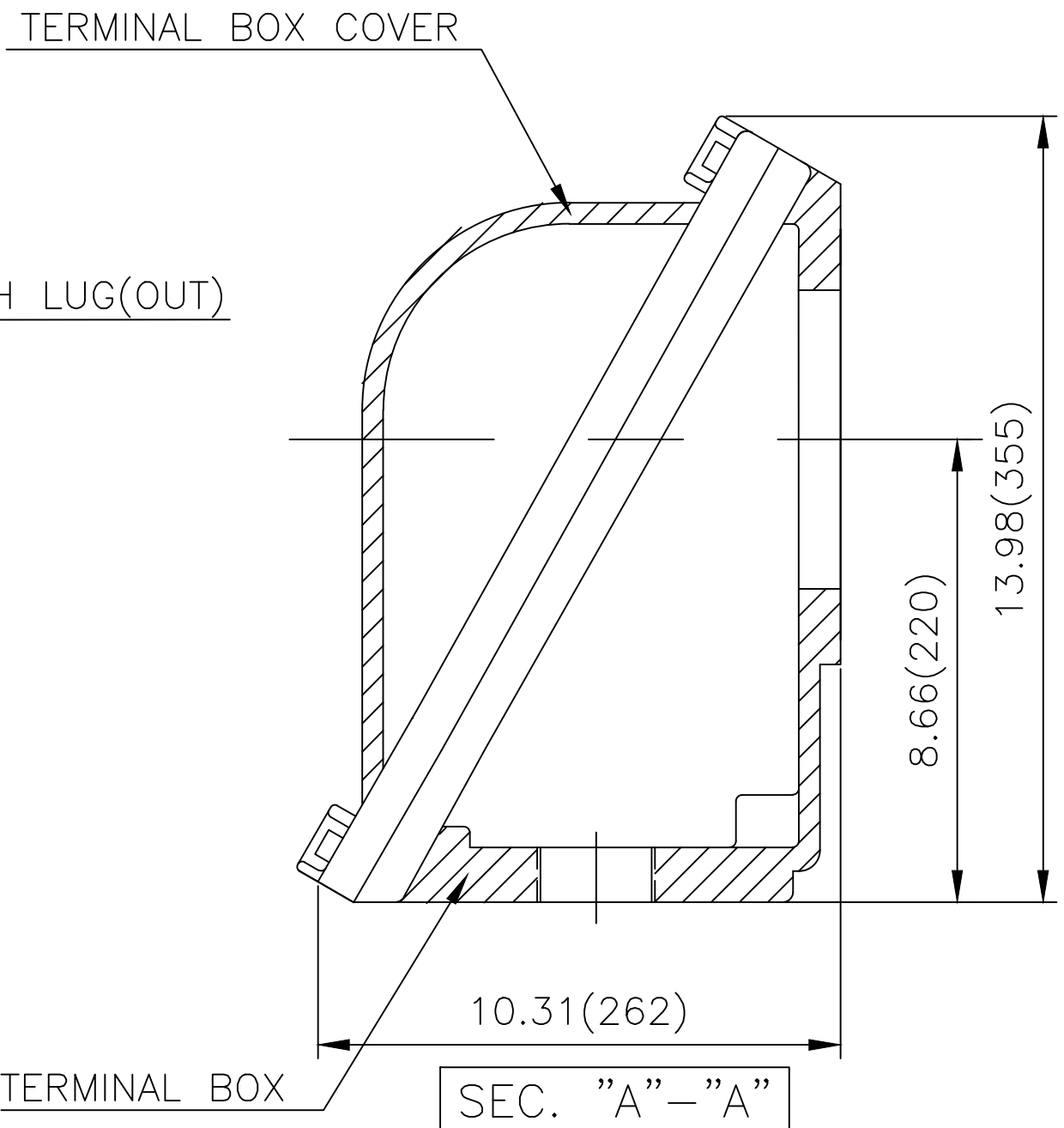
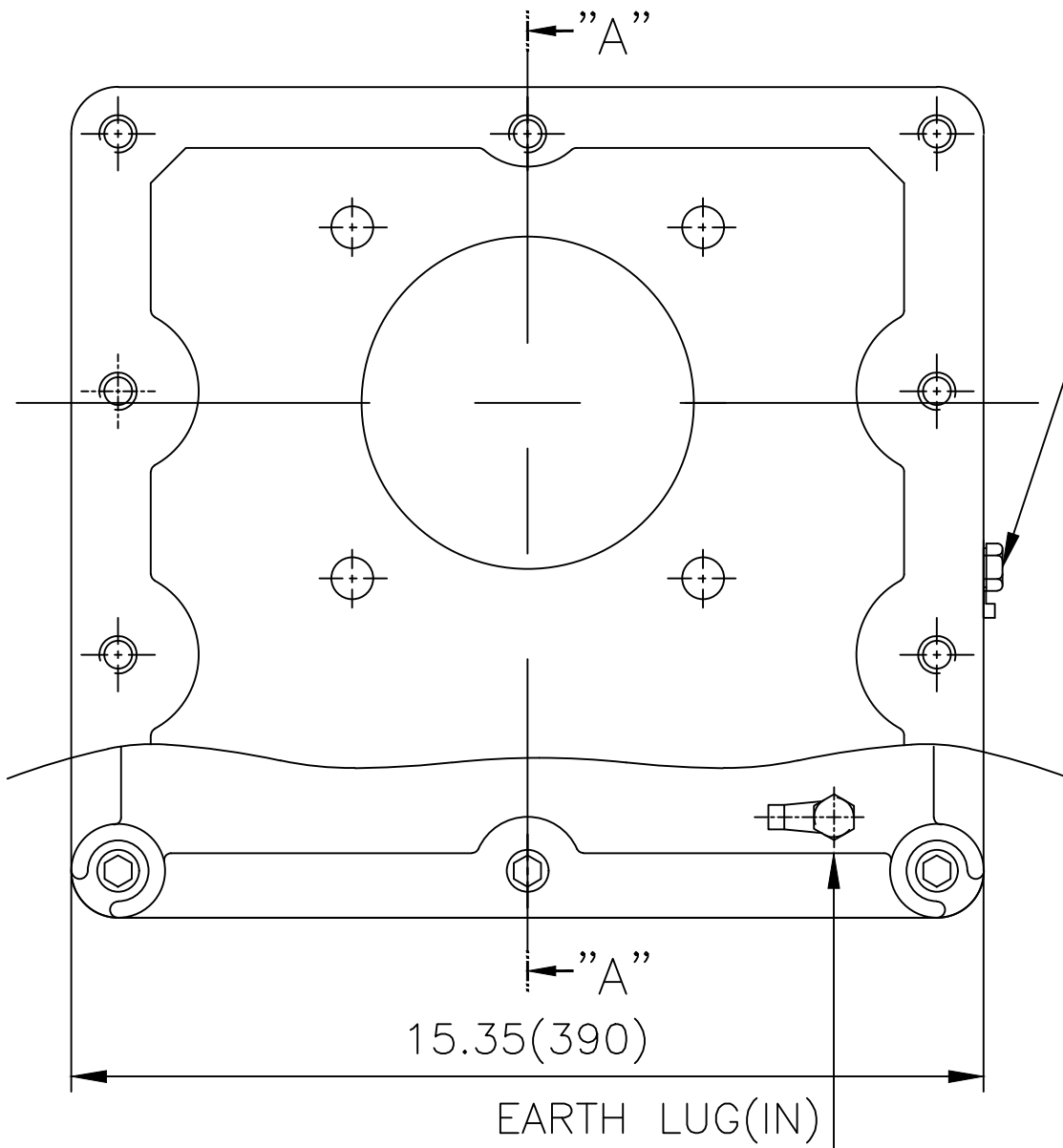


OUTPUT VS EFF., P.F & CURRENT CURVE





**Cls. I Div. 1**



▽	50S
▽▽	12.5S
▽▽▽	3.2S
▽▽▽▽	0.4S

REV	DATE	CONTENTS	REVD BY	CHKD BY	CHKD BY	APPD BY

일반가공공차		일반제관공차	
1-4	±0.1	6-30	±0.5
4-18	±0.2	30-120	±0.8
18-63	±0.3	120-315	±1.2
63-250	±0.5	315-1000	±2.0
250-	±0.8	1000-	±3.0

Q'TY	DESCRIPTION	MATERIAL	DIMENSION	WEIGHT	PART NO.	REMARK	NO.
APPD BY	S.Y.KIM	UNIT	inch(mm)	SUBJECT	NEMA FR. 400~440(CAST IRON)	DWG SIZE	A3 ( 1:3 )
CHKD BY	R.G.KIM	SCALE	1/3	TITLE	MAIN TERMINAL BOX ASS'Y		
CHKD BY		PROJEC'N	3rd Angle	REF. NO		Sheet No.	of
DSND BY	김은진	DATE	2023-11-08	DWG NO	3M-248636	Revision No.	0

