

Customer :  
Project Name :  
Project No. :  
Revision No. :

# SPECIFICATION for INDUCTION MOTOR




0		For Bidding			
No.	DATE	DESCRIPTION	PREPARED BY	CHECKED BY	APPROVED BY





1	2	3	4
REV	DATE	CONTENTS	REVD BY   CHKD BY   CHKD BY   APPD BY

4.72




**CROWN TRITON**  
Premium Efficiency AC 3 Phase Motor


800HP	2P	460V	Cat. No.	IEEE800-36-5812S-IBSHSP		
Model	LATER		INS. Class	F	Amps	883.2
Type	HNE6	Duty	CONT	Code	G	Amb. 40°C
Frame	5812S	Encl.	TEFC	S.F.	1.15	RPM 3570
Bearing	Drive	6316C3		S.F.1.00 (2:1 C.T., 10:1 V.T., NEMA-MG1 Part31)		3/4 Eff. 94.8%
	Opp.	6316C3-INS.				NEMA Design B Torque
Usable at						
CSA Certified for	CLASS I, Div. 2, Gr. A, B, C & D			Temp. Code (sine wave)	Frame	580FR
					Maximum Amb. 50°C	T3A (180°C)
No.	-	Date	-	Weight	6730 lb	

**IEEE Std 841-2021**  
4M-136445

Made in Korea H1



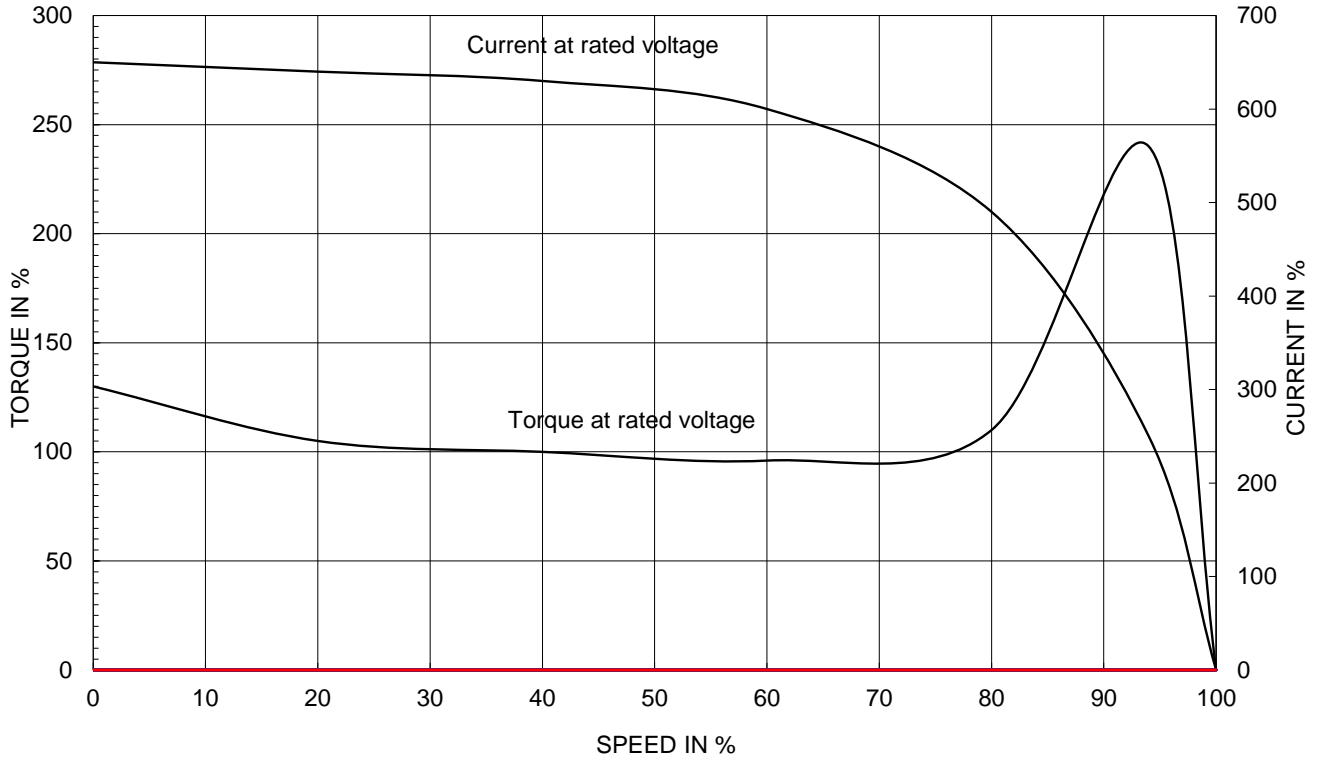
2.36

APPD BY	S.Y.KIM	UNIT	INCH	SUBJECT	CSA Class I, Division2 IEEE841 (XL)	DWG SIZE
CHKD BY	I.K.KIM	SCALE	NONE			A4 ( 1:1 )
CHKD BY	R.G.KIM	PROJEC'N	3rd Angle	TITLE <b>NAMEPLATE DRAWING</b>		
DSND BY	S.H.LEE	DATE	2024.06.07			
				REF. NO	<b>4M-136445</b>	Sheet No. of
				DWG NO	NP-IEEE800-36-5812S-IBSHSP	Revision No. <b>0</b>

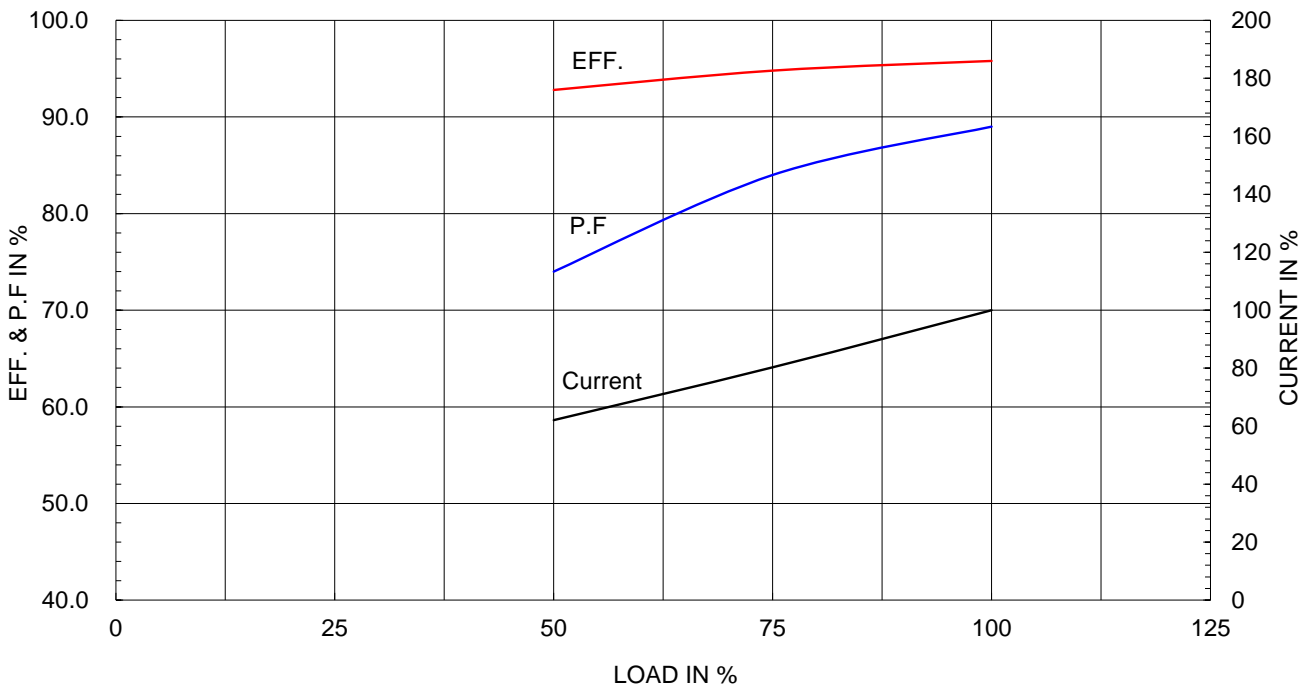
Type :	HNE6	
Full Load Torque :	1184.0	lb.ft
Load moment of Inertia (J) :	574.869	lb.ft2
Motor moment of Inertia (J) :	121.840	lb.ft2

600kW	800HP	2 P	60 Hz
Speed at Full Load :			3570 RPM
Rated Voltage	575V	460V	230V
Full Load Current	706.6A	883.2A	####

SPEED VS TORQUE & CURRENT CURVE

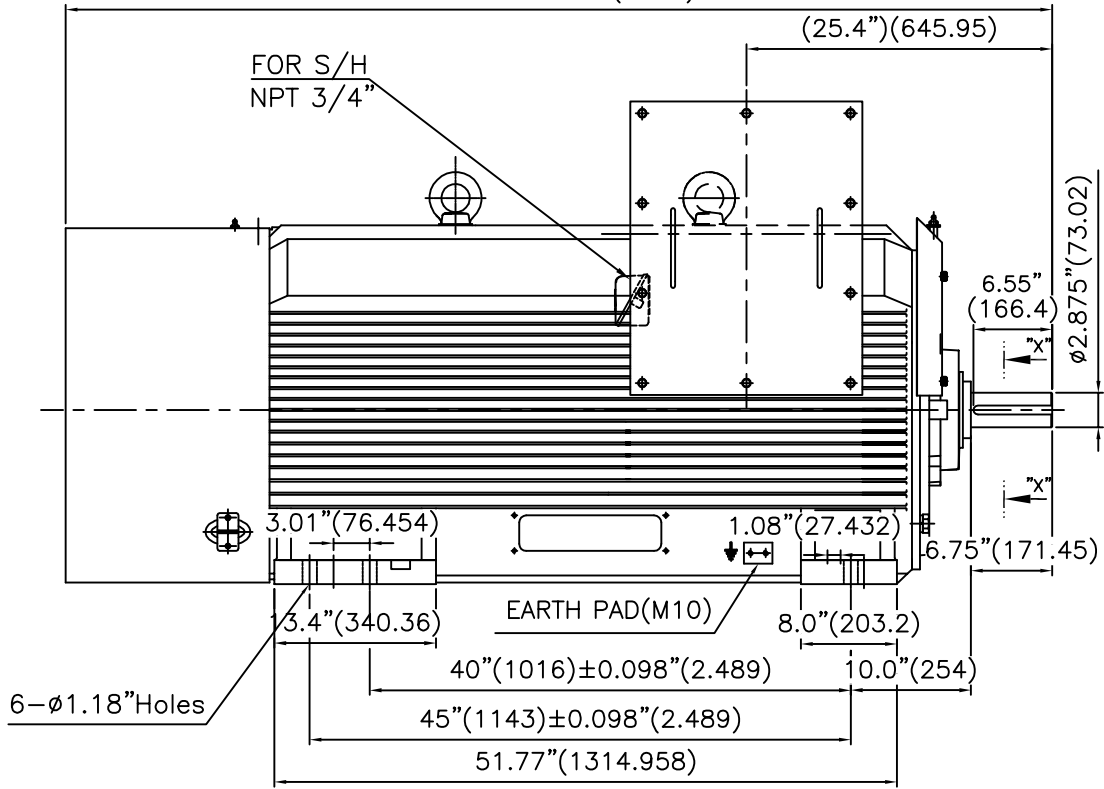


OUTPUT VS EFF., P.F & CURRENT CURVE



# IEEE841

APPROX.82.04"(2084)



**TECHNICAL INFORMATION**

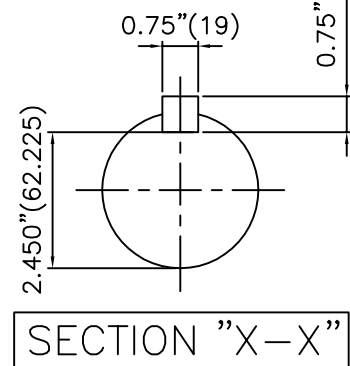
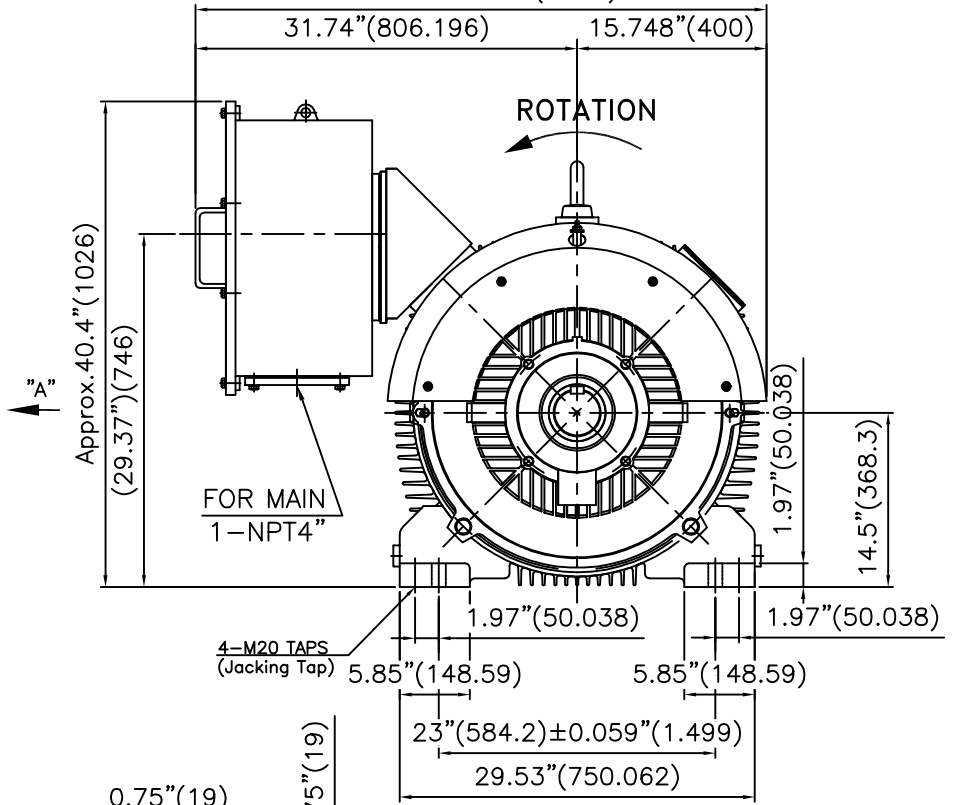
**1) BEARING & LUBRICANT LIST**

BEARING	Drive End	Non-Drive End
Bearing Type	6316C3	6316C3
Lubricant Type	GREASE	GREASE
Grease Type	Mobil(Polyrex-EM)	Mobil(Polyrex-EM)
Initial Charge Quantity	200 g	200 g
Mark-Up	Quantity	33 g
	Interval	2 MONTHS

**2) TOLERANCE :**

CENTER HEIGHT	14.5	+0.000	-0.060
SHAFT DIAMETER	ø2.875	+0.000	-0.001
KEYWAY WIDTH	0.75	+0.003	-0.000

APPROX.47.52"(1207)

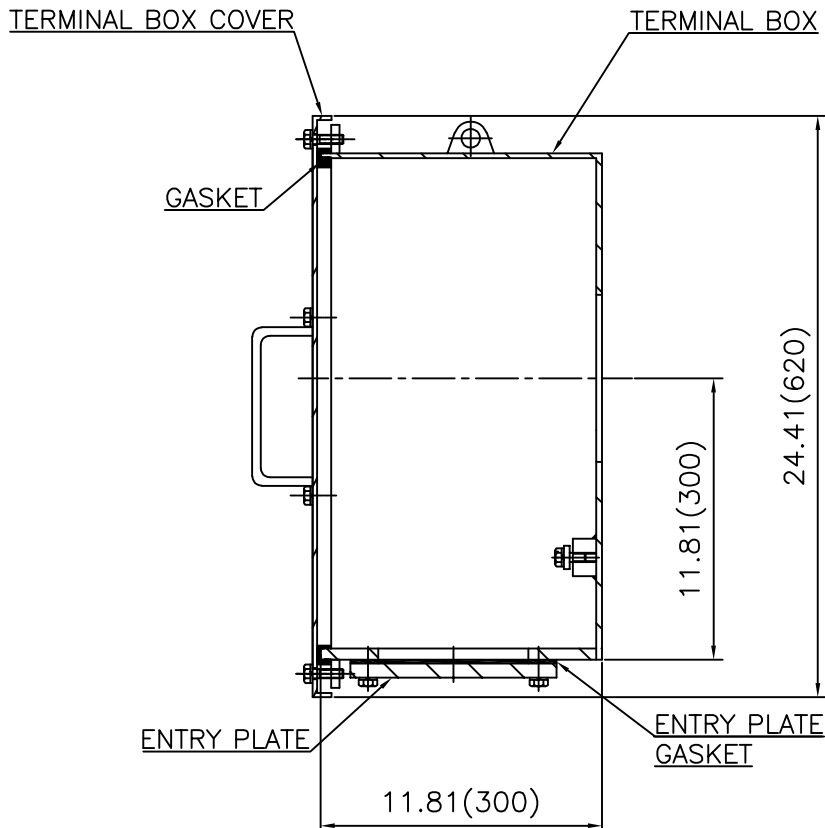
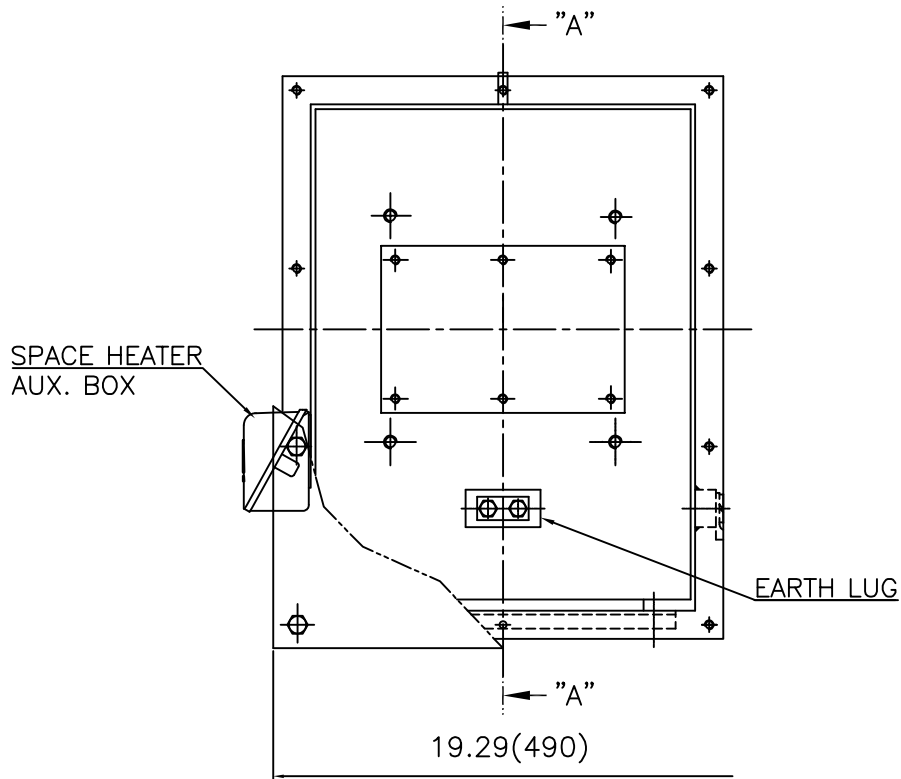


VIEW "A"

Q'TY	DESCRIPTION	MATERIAL	DIMENSION	WEIGHT	PART NO.	REMARK
APPD BY	S.K.HAN	UNIT	INCH(MM)	SUBJECT Fr.5812-2P		
CHKD BY	S.Y.KIM	SCALE	1/12	TITLE		
CHKD BY	R.G.KIM	PROJEC'N	3각법 (3rd Angle)	OUTLINE		
DSND BY	M.S.HA	DATE	2019.05.16	REF. NO	Sheet No. of	
				DWG NO	LM-I5812B3CE001	Revision No.

REV	DATE	CONTENTS	REVD BY	CHKD BY	CHKD BY	APPD BY
1						
2						
3						
4						

**Cls. I&II, Div. 2  
IEEE 841**



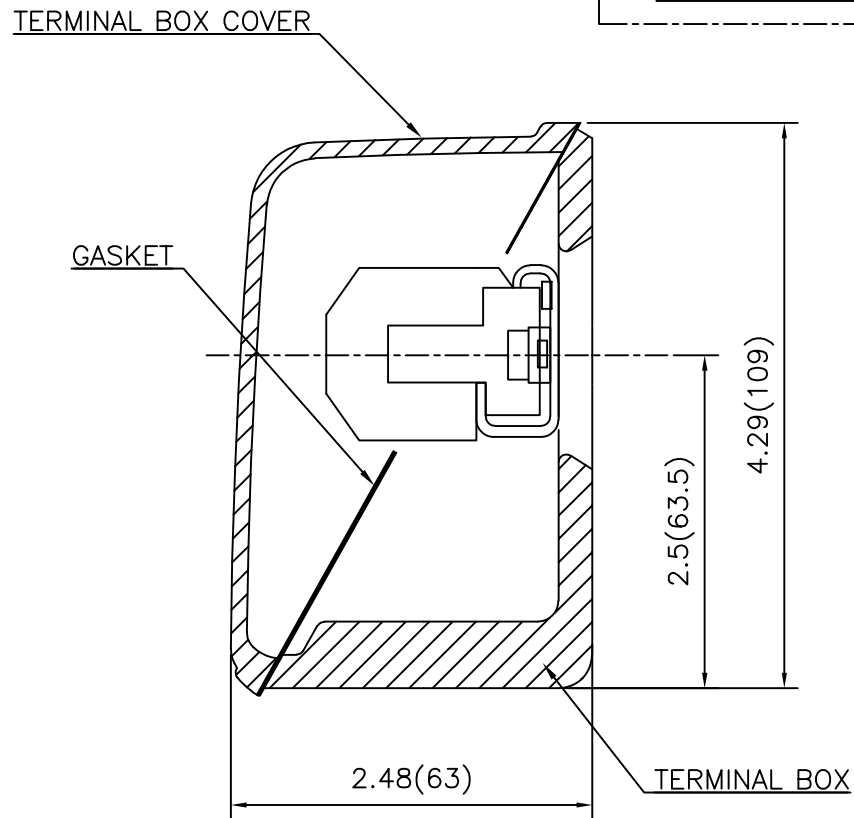
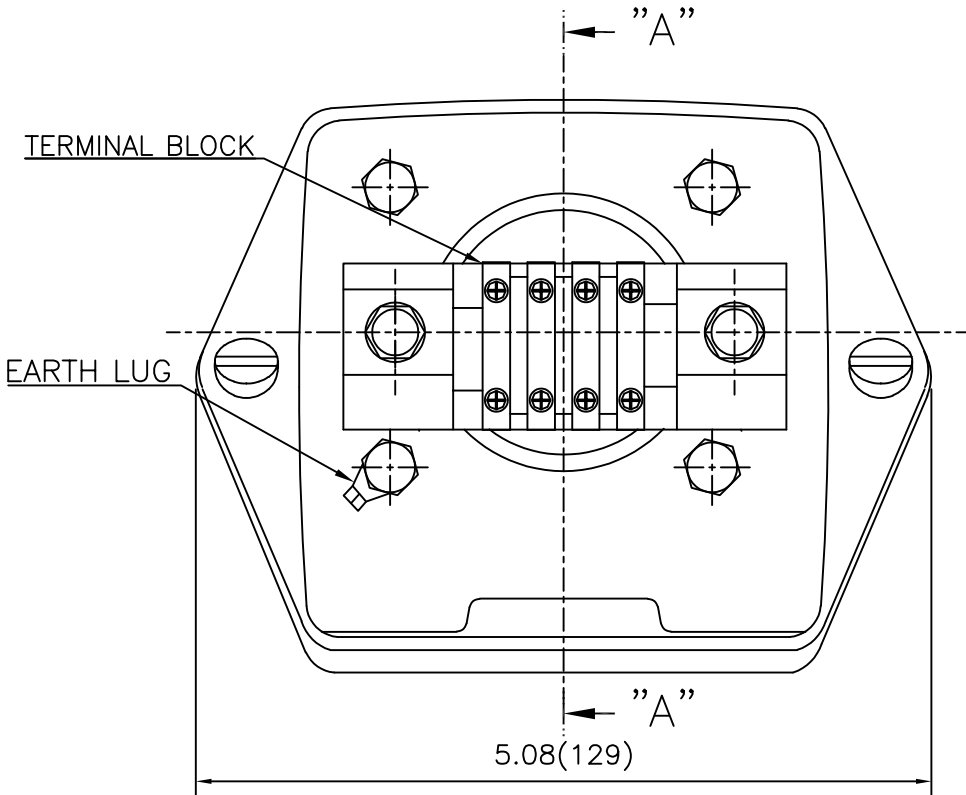
SEC. "A" - "A"

REV	DATE	CONTENTS	REVD BY	CHKD BY	CHKD BY	APPD BY
1						
2						
3						
4						

APPD BY	S.Y.KIM	UNIT	inch(mm)	SUBJECT	FR.580 (STEEL)	DWG SIZE	A3 (1:6)
CHKD BY		SCALE	1/6	TITLE	MAIN TERMINAL BOX ASS'Y		
CHKD BY	R.G.KIM	PROJEC'N	3rd Angle	REF. NO		Sheet No.	of
DSND BY	백승희	DATE	2023-10-25	DWG NO	3M-248512	Revision No.	0



**Cls. I&II, Div. 2  
IEEE 841**



REV	DATE	CONTENTS	REVD BY	CHKD BY	CHKD BY	APPD BY

APPD BY	S.Y.KIM	UNIT	inch(mm)	SUBJECT	FR.180 (CAST IRON)	DWG SIZE
CHKD BY		SCALE	1/1	TITLE	SUB. TERMINAL BOX ASS'Y	A3 (1:1.1)
CHKD BY	R.G.KIM	PROJEC'N	3rd Angle			
DSND BY	배승희	DATE	2024-01-18			
				REF. NO		Sheet No. of
				DWG NO	3M-165278	Revision No. 0