

Customer :  
Project Name :  
Project No. :  
Revision No. :

# SPECIFICATION for INDUCTION MOTOR



0		For Bidding			
No.	DATE	DESCRIPTION	PREPARED BY	CHECKED BY	APPROVED BY



	1	2	3	4		
REV	DATE	CONTENTS	REVD BY	CHKD BY	CHKD BY	APPD BY

4.72

CROWN TRITON

Premium Efficiency AC 3 Phase Motor

700HP	2P	460V	Cat. No.	IEEE700-36-5812S-IBSHSP					
Model	LATER		INS. Class	F	Amps	768.4			
Type	HNE6	Duty	CONT	Code	G	Amb. 40°C	Hertz	60Hz	
Frame	5812S	Encl.	TEFC	S.F.	1.15	RPM	3570	NEMA Nom. Eff.	95.8%
Bearing	Drive	6316C3		S.F.1.00 (2:1 C.T., 10:1 V.T., NEMA-MG1 Part31)		3/4 Eff.	94.8%		
	Opp.	6316C3-INS.				NEMA Design	B Torque		
Usable at									
CSA Certified for	CLASS I, Div. 2, Gr. A, B, C & D			Temp. Code (sine wave)	Frame	580FR			
					Maximum Amb. 50°C	T3A (180°C)			
No.	-		Date	-		Weight	6730 lb		

IEEE Std 841-2021

4M-136445

Made in Korea H1

2.36

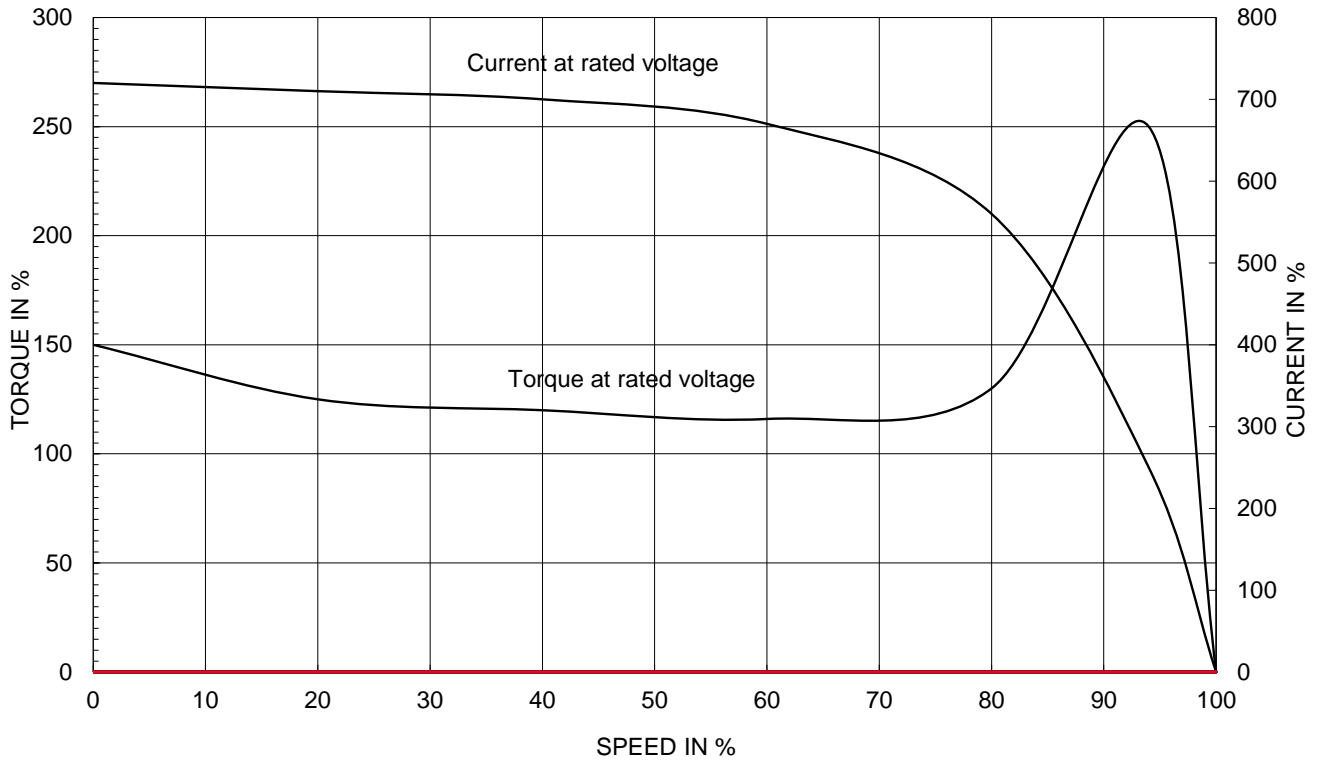
APPD BY	S.Y.KIM	UNIT	INCH	SUBJECT	CSA Class I, Division2 IEEE841 (XL)	DWG SIZE
CHKD BY	I.K.KIM	SCALE	NONE	TITLE	NAMEPLATE DRAWING	
CHKD BY	R.G.KIM	PROJEC'N	3rd Angle			
DSND BY	S.H.LEE	DATE	2024.06.07			
				REF. NO	4M-136445	Sheet No. of
				DWG NO	NP-IEEE700-36-5812S-IBSHSP	Revision No. <b>0</b>

1
2
3
4

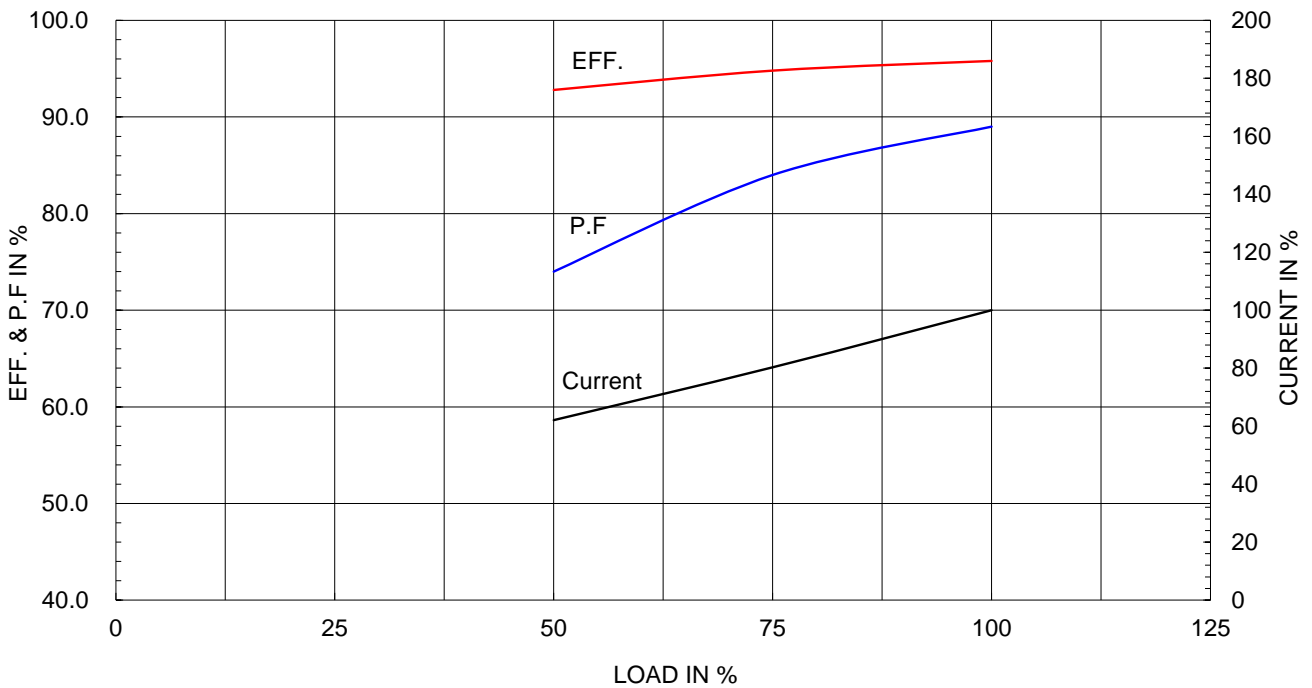
Type :	HNE6
Full Load Torque :	1030.1 lb.ft
Load moment of Inertia (J) :	513.845 lb.ft2
Motor moment of Inertia (J) :	121.840 lb.ft2

522kW 700HP	2 P	60 Hz
Speed at Full Load :		3570 RPM
Rated Voltage	575V	460V 230V
Full Load Current	614.7A	768.4A #####

SPEED VS TORQUE & CURRENT CURVE

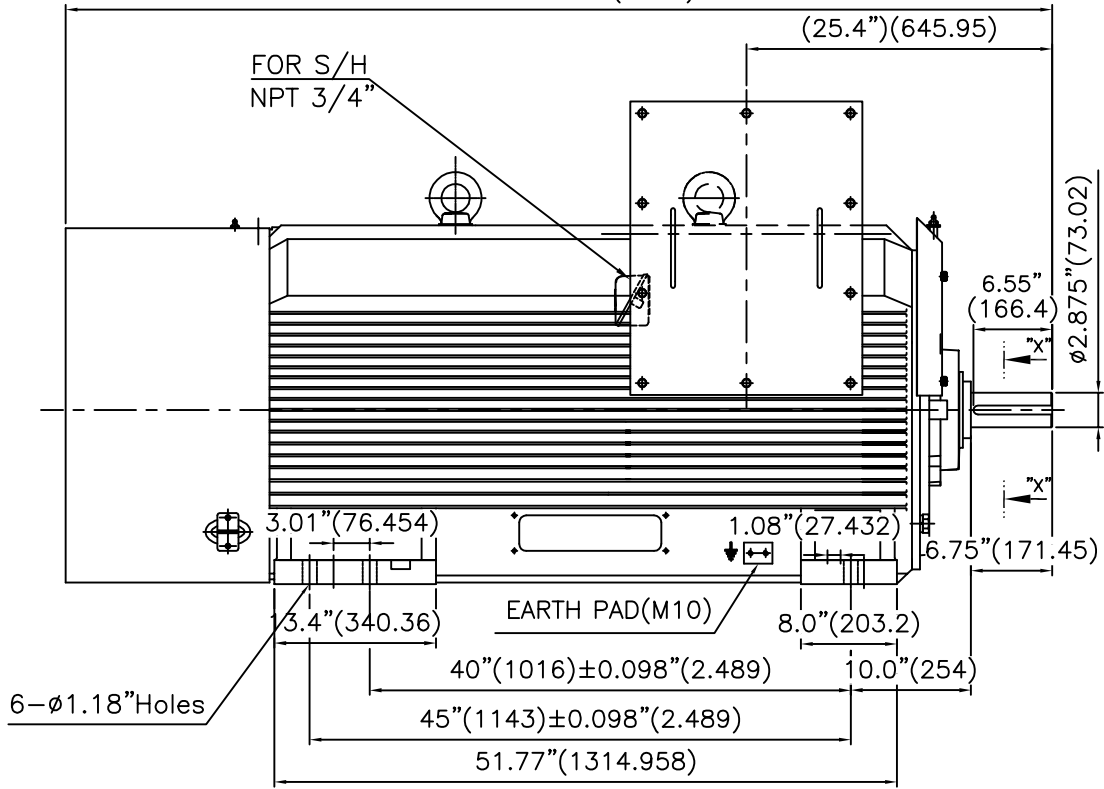


OUTPUT VS EFF., P.F & CURRENT CURVE



# IEEE841

APPROX.82.04"(2084)



**TECHNICAL INFORMATION**

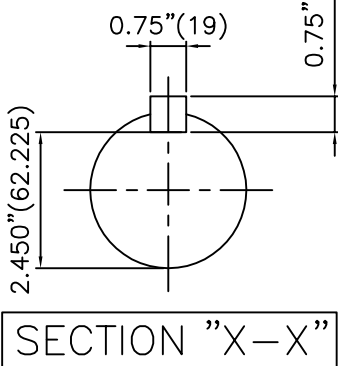
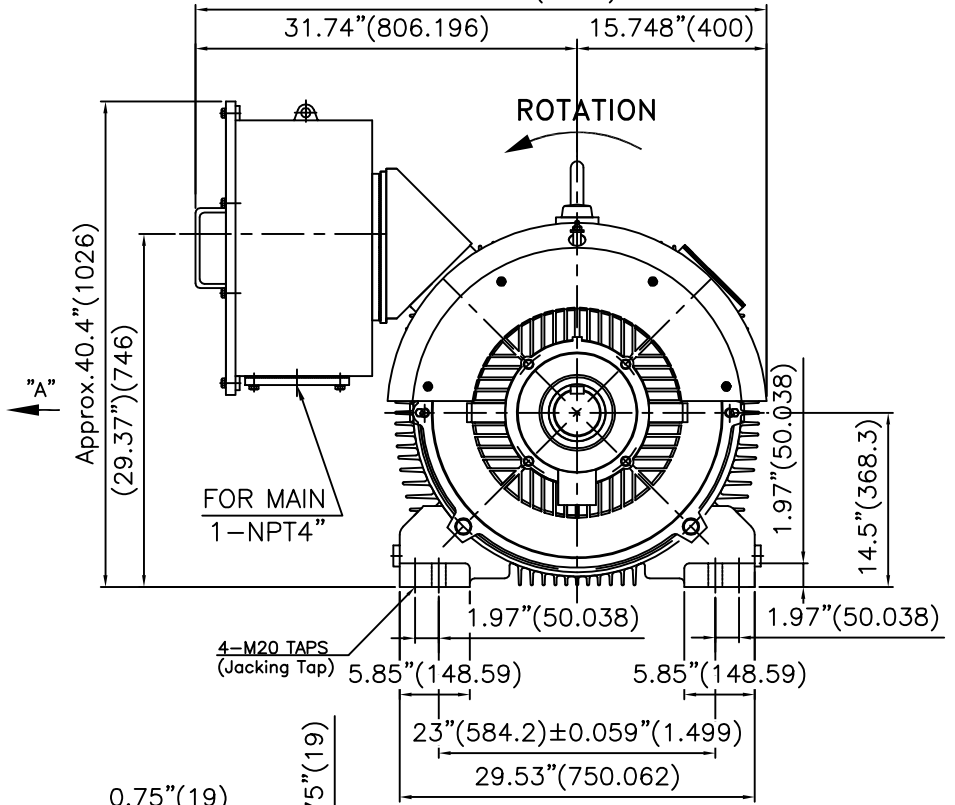
**1) BEARING & LUBRICANT LIST**

BEARING	Drive End	Non-Drive End
Bearing Type	6316C3	6316C3
Lubricant Type	GREASE	GREASE
Grease Type	Mobil(Polyrex-EM)	Mobil(Polyrex-EM)
Initial Charge Quantity	200 g	200 g
Mark-Up	Quantity	33 g
	Interval	2 MONTHS

**2) TOLERANCE :**

CENTER HEIGHT	14.5	+0.000	-0.060
SHAFT DIAMETER	ø2.875	+0.000	-0.001
KEYWAY WIDTH	0.75	+0.003	-0.000

APPROX.47.52"(1207)



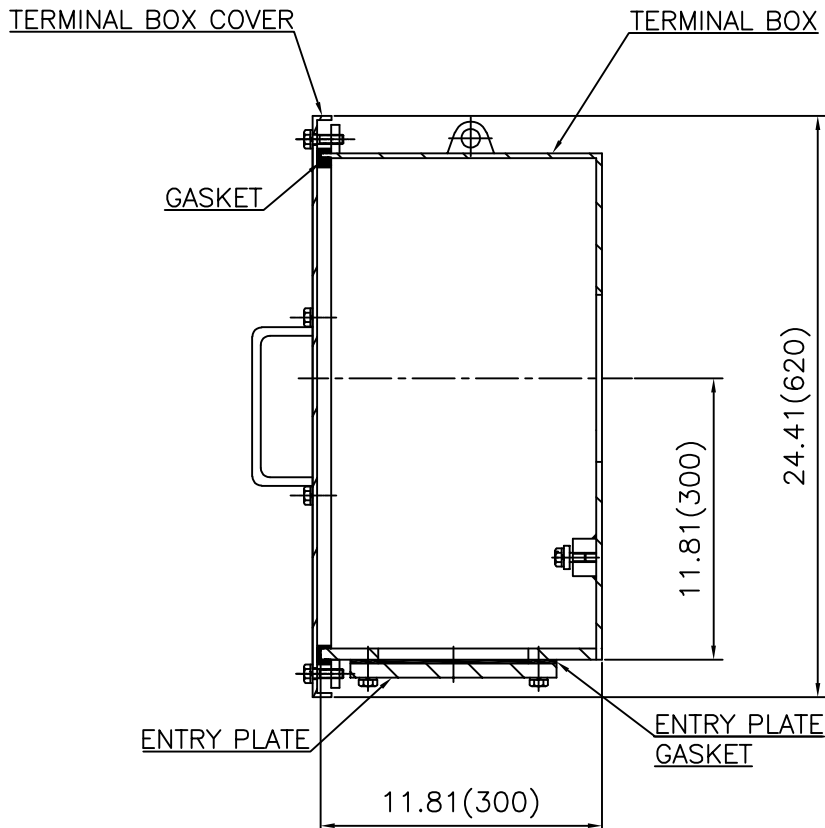
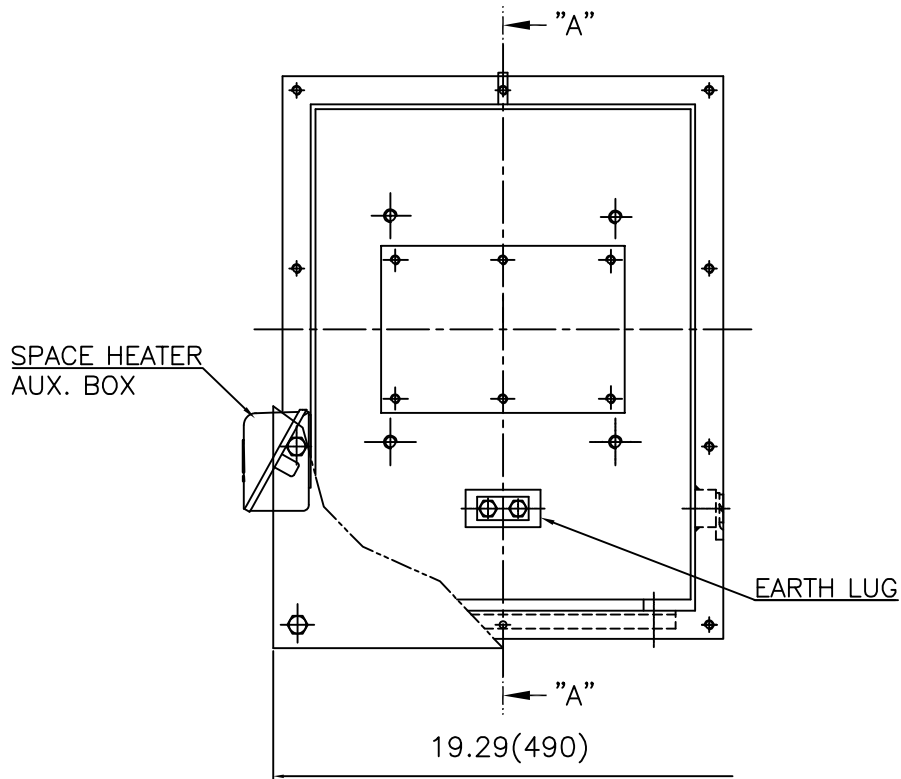
VIEW "A"

Q'TY	DESCRIPTION	MATERIAL	DIMENSION	WEIGHT	PART NO.	REMARK
APPD BY	S.K.HAN	UNIT	INCH(MM)	SUBJECT	Fr.5812-2P	
CHKD BY	S.Y.KIM	SCALE	1/12	TITLE	OUTLINE	
CHKD BY	R.G.KIM	PROJEC'N	3각법 (3rd Angle)	REF. NO		Sheet No. of
DSND BY	M.S.HA	DATE	2019.05.16	DWG NO	LM-I5812B3CE001	Revision No.

REV	DATE	CONTENTS	REVD BY	CHKD BY	CHKD BY	APPD BY
1						
2						
3						
4						



**Cls. I&II, Div. 2  
IEEE 841**



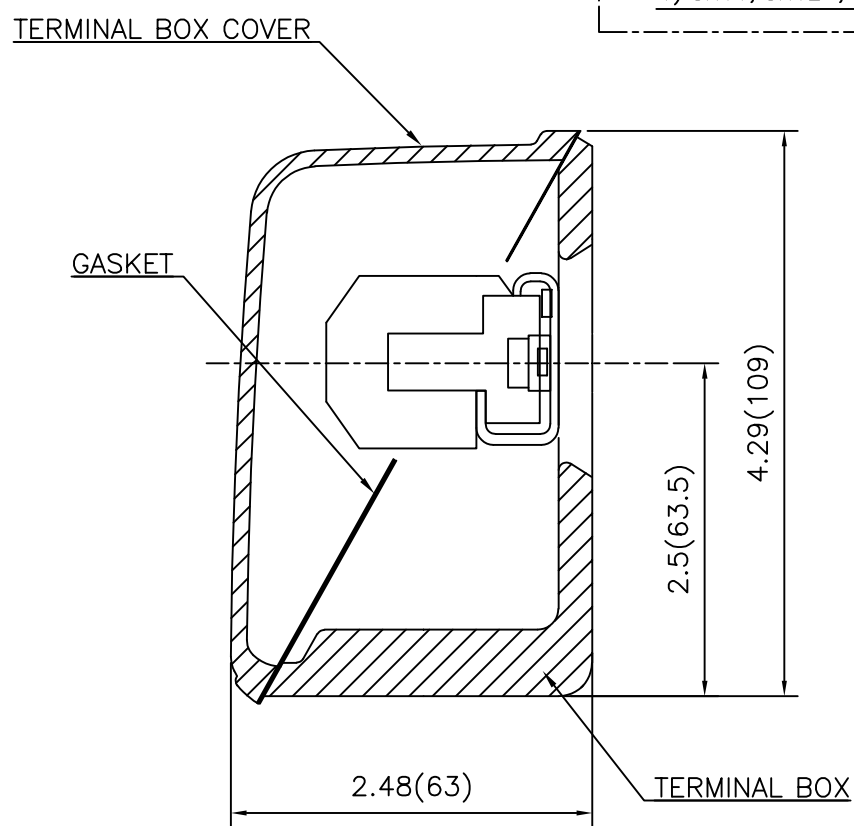
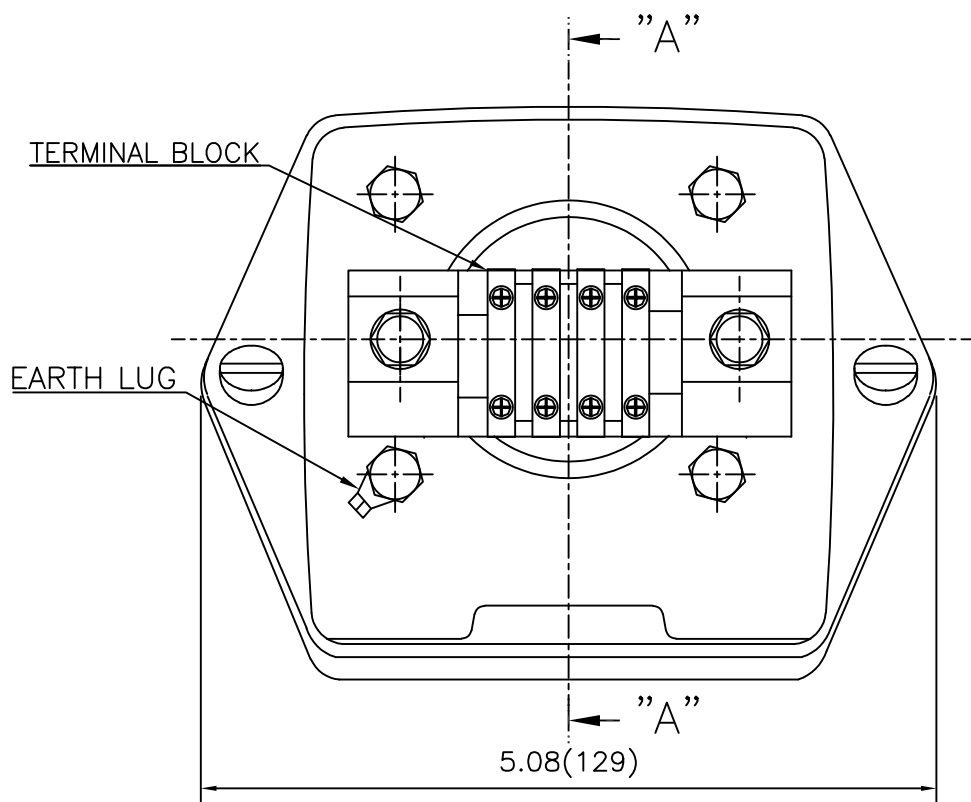
SEC. "A" - "A"

REV	DATE	CONTENTS	REVD BY	CHKD BY	CHKD BY	APPD BY
1						
2						
3						
4						

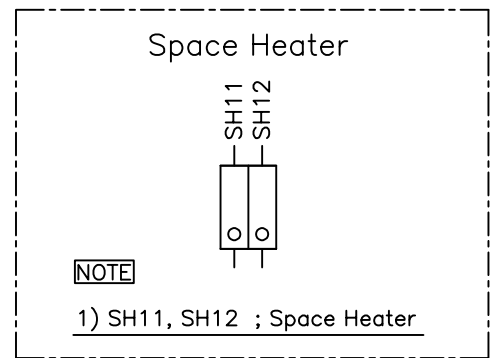
APPD BY	S.Y.KIM	UNIT	inch(mm)	SUBJECT	FR.580 (STEEL)	DWG SIZE	A3 (1:6)
CHKD BY		SCALE	1/6	TITLE	MAIN TERMINAL BOX ASS'Y		
CHKD BY	R.G.KIM	PROJEC'N	3rd Angle	REF. NO		Sheet No.	of
DSND BY	백승희	DATE	2023-10-25	DWG NO	3M-248512	Revision No.	0



**Cls. I&II, Div. 2  
IEEE 841**



SEC. "A" - "A"



REV	DATE	CONTENTS	REVD BY	CHKD BY	CHKD BY	APPD BY

APPD BY	S.Y.KIM	UNIT	inch(mm)	SUBJECT	FR.180 (CAST IRON)	DWG SIZE	A3 (1:1.1)
CHKD BY		SCALE	1/1	TITLE	SUB. TERMINAL BOX ASS'Y		
CHKD BY	R.G.KIM	PROJEC'N	3rd Angle	REF. NO		Sheet No.	of
DSND BY	배승희	DATE	2024-01-18	DWG NO	3M-165278	Revision No.	0

