

Customer :  
Project Name :  
Project No. :  
Revision No. :

# SPECIFICATION for INDUCTION MOTOR



0		For Bidding			
No.	DATE	DESCRIPTION	PREPARED BY	CHECKED BY	APPROVED BY



# AC INDUCTION MOTOR DATA SHEET

## IEEE841 TYPE

Catalog No.	IEEE50-18-326T	Item No.	Rev. No.	[      ]
Project Name		Project No.	Quantity	sets

GENERAL SPECIFICATION			PERFORMANCE DATA				
Frame Size	326T	Rated Output	37 kW			50 HP	
Type	PJP	Number of Poles	4				
Enclosure(Protection)	Totally Enclosed / IP55	Rotor Type	Squirrel Cage				
Method of Cooling	IC411(FC)	Starting Method*	D.O.L				
Rated Frequency	60 Hz	Rated Voltage	575 V	460 V	230 V		
Number of Phases	3	Current	Full Load	46.8 A	58.5 A	117.0 A	
Insulation Class	F		Locked-rotor**	830 %	830 %	830 %	
Temp. Rise at full load (by resistance method)		Efficiency					
at 1.0 S.F	80 deg. C	50% Load		91.5 %			
Motor Location	<input type="checkbox"/> Indoor <input type="checkbox"/> Outdoor	75% Load		93.5 %			
Altitude	Less than 1,000 meter	100% Load		94.5 %			
Relative Humidity	Less than 80 %	Power Factor(p.u)					
Ambient Temp.	40 deg. C (Max.)	50% Load		0.690			
Duty Type	Continuous ( S1 )	75% Load		0.790			
Service Factor	1.15	100% Load		0.840			
Mounting	B3	Speed at Full Load		1780 r.p.m			
Bearing	Type	Anti-Friction					
	DE/N-DE	6313ZC3 / 6212ZC3					
	Lubricant	Grease(Polyrex-EM)					
External Thrust	Not applicable						
Coupling Method	<input checked="" type="checkbox"/> Direct <input type="checkbox"/> V-belt	Torque					
Shaft Extension	Single	Full Load		146.4 lb.ft			
Terminal Box	Main	Locked-rotor**		170 %			
	Aux.	Breakdown**		220 %			
Location	Refer to Outline Drawing	Moment of Inertia (J)					
Application		Load(Max.)		278.234 lb.ft2			
Area classification	Hazardous	Motor		8.307 lb.ft2			
Type of Ex-Protection	Class I&II, Division 2	Sound Pressure Level (No-load & mean value at 1m from motor)					
Applicable Standard	IEEE841, NEMA MG1, CSA C390					77 dB(A)	
ACCESSORIES		Vibration					3.8 mm/sec (peak)
		Permissible number of consecutive starts		Cold	3 times		
				Hot	2 times		
		Paint	Munsell No.	7.5BG6/1.5			
		SUBMITTAL DRAWING					
		Outline Dimension Drawing		Motor Weight(Approx.)			
		B3	LM-I1326B3PL001	560 lb.			
SPARE PARTS		REMARK					
		1. Premium efficiency according to NEMA MG1					
		2. Inverter Duty @ 1.0 Service Factor & F Temperature rise					
		- 10:1 VT (20:1 VT at 50% load)					
		- 10:1 CT					
- CHP up to 1.5 times base speed, NEMA MG1 Part31							
3. CSA Certification							
- Class I, Division 2, Group A, B, C & D							
- Class II, Division 2 Group E, F & G (Group E : up to 320Fr.)							
4. Service Factor 1.15 and Temperature rise B are applicable under the condition of sine wave power.							
5. Service Factor 1.25 is applicable to motors of 100HP or less with temperature rise F & Non-Hazardous.							
		Date	DSND	CHKD	CHKD	APPD	
		2024-07-13	S.H. Lee	I.K. Kim	R.G. Kim	S.W. Kim	

[Note] Others not mentioned in this data sheet shall be in accordance with maker standard.  
 Above technical data are only design values and shall be guaranteed with tolerance of applicable standard.  
 Inspection and performance test shall be done according to maker standard, if not mentioned.  
 \* In case of Inverter-Fed Motor, performance data is based on sine wave tests. It may be different from test data of Inverter combined motor.  
 \*\* Data is based on rated voltage & frequency and is expressed as a percentage of full-load value.

1	2	3	4
REV	DATE	CONTENTS	REVD BY

4.72

**CROWN TRITON**  
Premium Efficiency AC 3 Phase Motor

50HP	4P	460V	Cat. No.	IEEE50-18-326T				
Model	HLS326SR23		INS. Class	F	HD-F1	Amps	58.5	
Type	HLS	Duty	CONT	Code	J	Amb.	40°C	
Frame	326T	Encl.	TEFC	S.F.	1.15	RPM	1780	
Bearing	Drive	6313ZC3		S.F.1.00 (10:1 C.T., 20:1 V.T., NEMA-MG1 Part31)		3/4 Eff.	93.5%	
	Opp.	6212ZC3				NEMA Design	B Torque	
Usable at	50Hz 40HP 380V 63.8A 1480rpm S.F.: 1.0 Eff.: 92.3% Code: J							
	50Hz 40HP 400/415V 62.2/61.4A 1480/1480rpm S.F.: 1.0 Eff.: 92.3/92.3% Code: K/L							
CSA Certified for	Model	LATER		Type	PJP			
	CLASS I, Div. 2, Gr. A, B, C & D CLASS I, Zone 2, Gr. IIA, IIB, & IIC	CLASS II, Div. 2, Gr. E, F & G (Gr. E : Up to 320FR)		Temp. Code (sine wave)	Frame	140~320FR	360~400FR	440FR
		Amb. 40°C	T3C (160°C)		T3B (165°C)	T3A (180°C)		
Amb. 55°C	T3A (180°C)	T3A (180°C)	T3 (200°C)					
No.	-		Date	-		Weight	560 lb	

**IEEE Std 841-2021**

4M-135701

**MARINE DUTY IEEE45**

Made in Korea H1

2.36

APPD BY	S.Y.KIM	UNIT	INCH	SUBJECT	CSA Class I, Division2 IEEE841 (HL)	DWG SIZE
CHKD BY	I.K.KIM	SCALE	NONE			A4 ( 1:1 )
CHKD BY	R.G.KIM	PROJEC'N	3rd Angle	TITLE <b>NAMEPLATE DRAWING</b>		
DSND BY	S.H.LEE	DATE	2024.06.07			
				REF. NO	<b>4M-135701</b>	Sheet No. of
				DWG NO	<b>NP-IEEE50-18-326T</b>	Revision No. <b>0</b>



# PERFORMANCE CURVE

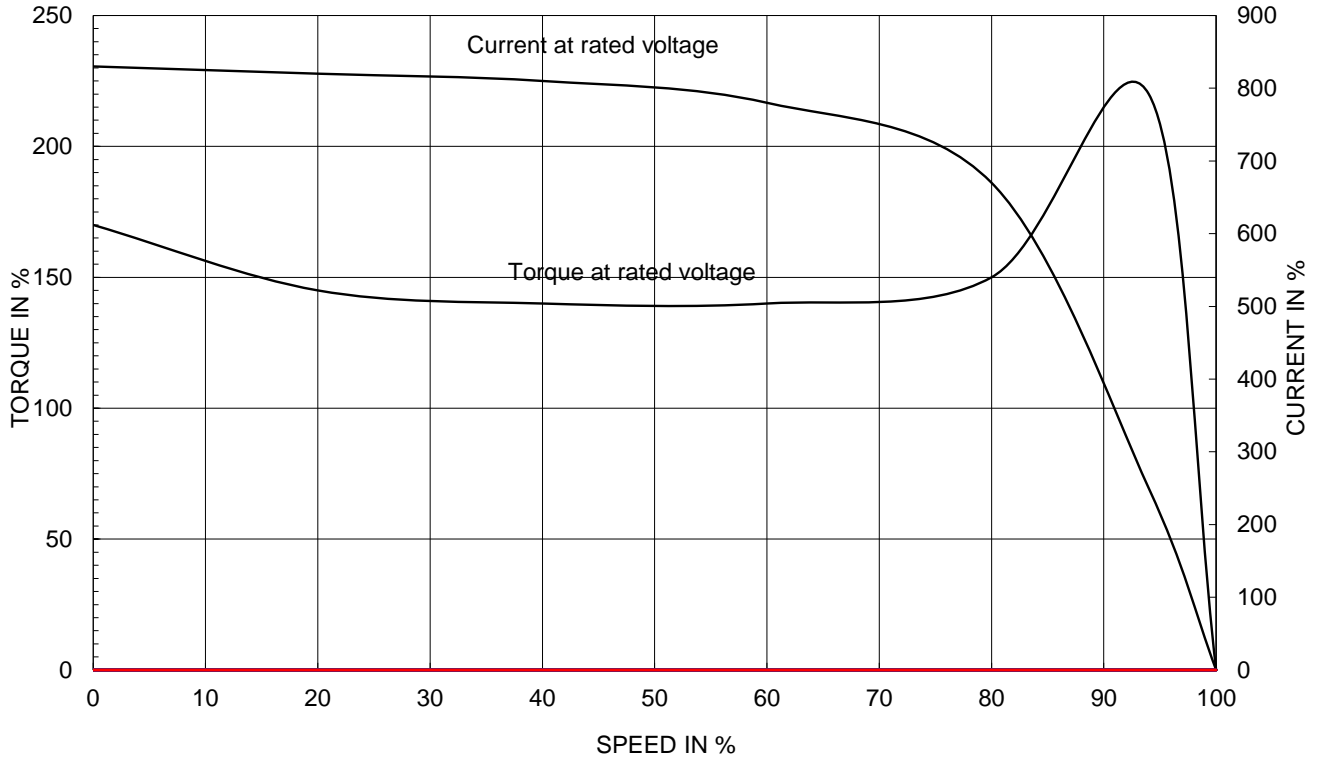
CURVE NO.

PC-IEEE50-18-326T

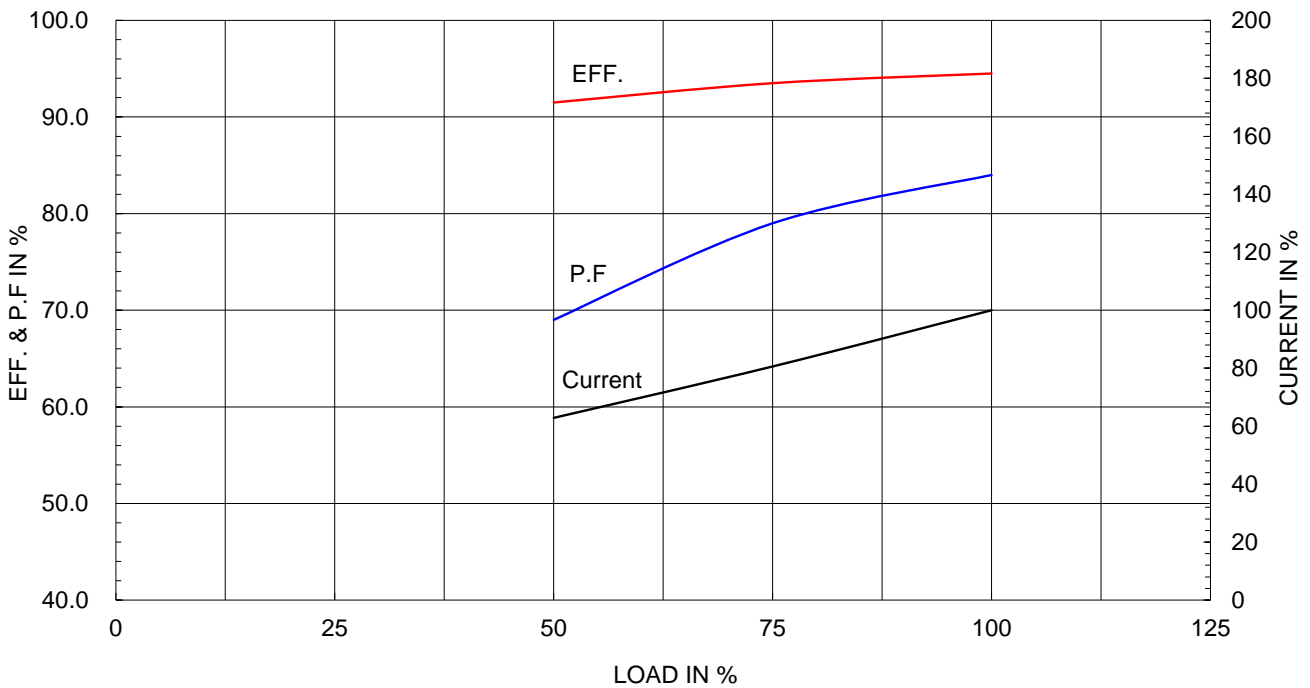
Type :	PJP
Full Load Torque :	146.4 lb.ft
Load moment of Inertia (J) :	278.234 lb.ft2
Motor moment of Inertia (J) :	8.307 lb.ft2

37kW 50HP	4 P	60 Hz
Speed at Full Load :		1780 RPM
Rated Voltage	575V	460V 230V
Full Load Current	46.8A	58.5A 117.0A

SPEED VS TORQUE & CURRENT CURVE



OUTPUT VS EFF., P.F & CURRENT CURVE

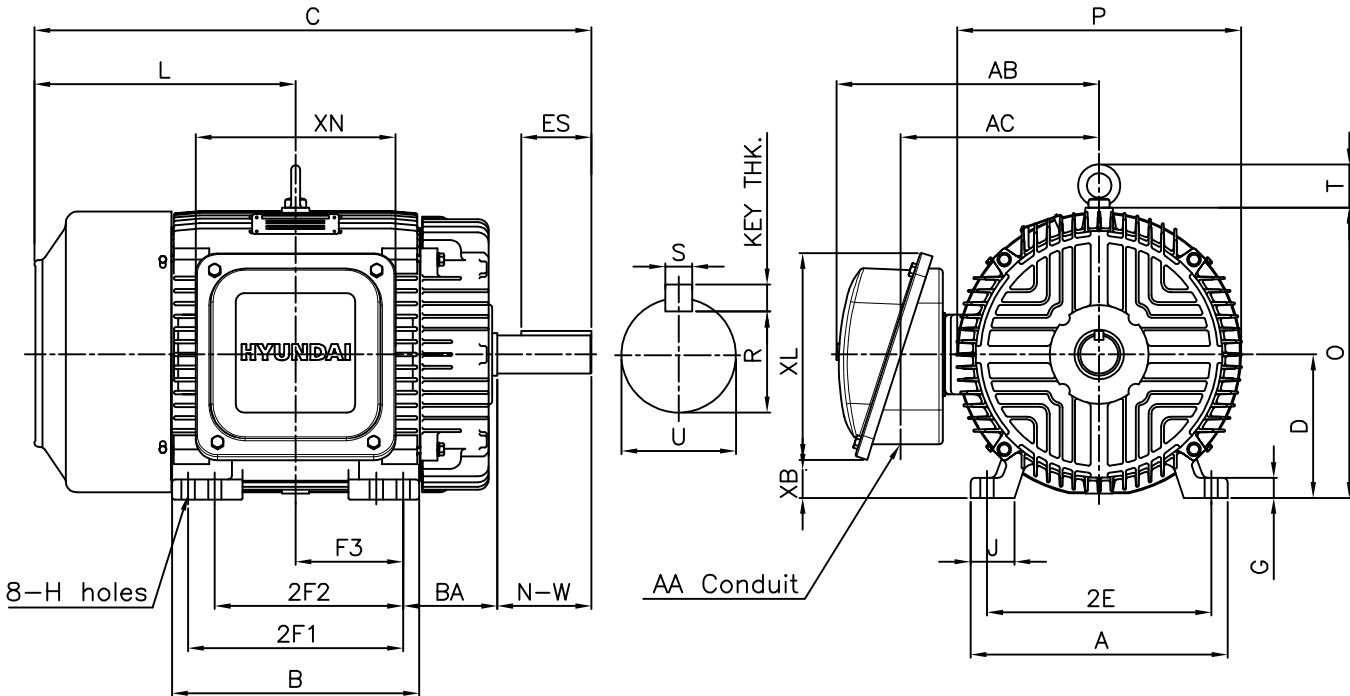


본 도면은 HD현대일렉트릭(주) 재산이며 허가없이 복사할 수 없음 (취급유의)

THIS DRAWING IS PROPRIETARY TO HYUNDAI ELECTRIC. NO PART OF THIS DRAWING MAYBE REPRODUCED WITHOUT THE PERMISSION OF HYUNDAI ELECTRIC.

1	2	3	4
▽	50S	REV	DATE
▽▽	12.5S		
▽▽▽	3.2S		
▽▽▽▽	0.4S		

**IEEE841**



DIMENSIONS

Unit : inch

M O U N T I N G									C O N D U I T B O X						A P P R O X . W G T . ( L B )	
A	B	2E	2F1 <sup>5)</sup>	2F2 <sup>4)</sup>	F3	G	J	H	AA	AB	AC	XB	XL	XN	324T	326T
14.33	13.78	12.50	12.00	10.50	6.00	1.11	2.36	0.66	2.00	16.31	11.41	2.13	11.38	11.14	550	560

O V E R A L L									S H A F T			KEY THK.	B E A R I N G	
BA	C	D	L	O	P	T	U	N-W	KEYWAY		DRIVE END		OPP. DRIVE END	
									R	ES	S			
5.25	31.46	8.00	15.96	16.19	15.84	2.41	2.125	5.25	1.845	3.91	0.500	0.500	6313ZC3	6211ZC3

**NOTE**

- 1.Dimension "D" tolerance : +0.00inch - 0.03inch
- 2.Dimension "U" tolerance : +0.000inch - 0.001inch
- 3.Dimension "R" tolerance : +0.000inch - 0.015inch
- 4.Location of holes for 324T frame
- 5.Location of holes for 326T frame

APPD BY	S.Y.KIM	UNIT	INCH	SUBJECT	NEMA 324T/326T	DWG SIZE	A4 ( 1:1 )		
CHKD BY	R.G.KIM	SCALE	NONE	TITLE	OUTLINE	REF. NO	350A8112AA		
CHKD BY	Y.H.BAE	PROJEC'N	3각법(3rd Angle)					Sheet No.	of
DSND BY	H.K.LEE	DATE	2021-04-30					Revision No.	0
				DWG NO	LM-I1326B3PL001				



# Cls. I&II, Div. 2 IEEE 841



▽	50S
▽▽	12.5S
▽▽▽	3.2S
▽▽▽▽	0.4S

REV	DATE	CONTENTS	REVD BY	CHKD BY	CHKD BY	APPD BY

일반가공공차		일반제관공차	
1-4	±0.1	6-30	±0.5
4-18	±0.2	30-120	±0.8
18-63	±0.3	120-315	±1.2
63-250	±0.5	315-1000	±2.0
250-	±0.8	1000-	±3.0

Q'TY	DESCRIPTION	MATERIAL	DIMENSION	WEIGHT	PART NO.	REMARK	NO.
APPD BY	S.Y.KIM	UNIT	inch(mm)	SUBJECT	FR. 250-280 (CAST IRON)	DWG SIZE	
CHKD BY		SCALE	1/2	TITLE	TERMINAL BOX ASS'Y		
CHKD BY	R.G.KIM	PROJEC'N	3rd Angle	DATE	2023-10-19		
DSND BY	배승희						
REF. NO						Sheet No.	of
DWG NO	3M-248458					Revision No.	0

