

Customer :  
Project Name :  
Project No. :  
Revision No. :

# SPECIFICATION for INDUCTION MOTOR



0		For Bidding			
No.	DATE	DESCRIPTION	PREPARED BY	CHECKED BY	APPROVED BY



# AC INDUCTION MOTOR DATA SHEET

## IEEE841 TYPE

Catalog No.	IEEE5-12-215TCRD	Item No.	Rev. No. [      ]
Project Name		Project No.	Quantity                      sets

GENERAL SPECIFICATION		PERFORMANCE DATA			
Frame Size	215TC	Rated Output	3.7 kW                      5 HP		
Type	PJP	Number of Poles	6		
Enclosure(Protection)	Totally Enclosed / IP55	Rotor Type	Squirrel Cage		
Method of Cooling	IC411(FC)	Starting Method*	D.O.L		
Rated Frequency	60 Hz	Rated Voltage	575 V	460 V	230 V
Number of Phases	3	Current	Full Load	6.10 A	7.63 A      15.26 A
Insulation Class	F		Locked-rotor**	680 %	680 %      680 %
Temp. Rise at full load (by resistance method)		Efficiency			
at 1.0 S.F	80 deg. C	50% Load		86.5 %	
Motor Location	<input type="checkbox"/> Indoor <input type="checkbox"/> Outdoor	75% Load		88.5 %	
Altitude	Less than 1,000 meter	100% Load		89.5 %	
Relative Humidity	Less than 80 %	Power Factor(p.u)			
Ambient Temp.	40 deg. C (Max.)	50% Load		0.530	
Duty Type	Continuous ( S1 )	75% Load		0.630	
Service Factor	1.15	100% Load		0.680	
Mounting	B5	Speed at Full Load	1180 r.p.m		
Bearing	Type	Anti-Friction	Torque		
	DE/N-DE	6208ZC3 / 6208ZC3	Full Load	22.1 lb.ft	
	Lubricant	Grease(Polyrex-EM)	Locked-rotor**	170 %	
External Thrust	Not applicable	Breakdown**	220 %		
Coupling Method	<input checked="" type="checkbox"/> Direct <input type="checkbox"/> V-belt	Moment of Inertia (J)			
Shaft Extension	Single	Load(Max.)	96.700 lb.ft2		
Terminal Box	Main	Cast Iron	Motor	1.234 lb.ft2	
	Aux.	No	Sound Pressure Level (No-load & mean value at 1m from motor)		
	Location	Refer to Outline Drawing	57 dB(A)		
Application		Vibration                      3.8 mm/sec (peak)			
Area classification	Hazardous	Permissible number of consecutive starts	Cold	3 times	
Type of Ex-Protection	Class I&II, Division 2		Hot	2 times	
Applicable Standard	IEEE841, NEMA MG1, CSA C390	Paint	Munsell No.	7.5BG6/1.5	

ACCESSORIES

SUBMITTAL DRAWING		
Outline Dimension Drawing	Motor Weight(Approx.)	
B5	LM-I2215C5PLV23	180 lb.

**REMARK**

1. Premium efficiency according to NEMA MG1
2. Inverter Duty @ 1.0 Service Factor & F Temperature rise
  - 10:1 VT (20:1 VT at 50% load)
  - 10:1 CT
  - CHP up to 1.5 times base speed, NEMA MG1 Part31
3. CSA Certification
  - Class I, Division 2, Group A, B, C & D
  - Class II, Division 2 Group E, F & G (Group E : up to 320Fr.)
4. Service Factor 1.15 and Temperature rise B are applicable under the condition of sine wave power.
5. Service Factor 1.25 is applicable to motors of 100HP or less with temperature rise F & Non-Hazardous.

Date	DSND	CHKD	CHKD	APPD
2024-07-13	S.H. Lee	I.K. Kim	R.G. Kim	S.W. Kim

[Note] Others not mentioned in this data sheet shall be in accordance with maker standard.  
 Above technical data are only design values and shall be guaranteed with tolerance of applicable standard.  
 Inspection and performance test shall be done according to maker standard, if not mentioned.  
 \* In case of Inverter-Fed Motor, performance data is based on sine wave tests. It may be different from test data of Inverter combined motor.  
 \*\* Data is based on rated voltage & frequency and is expressed as a percentage of full-load value.

1	2	3	4
REV	DATE	CONTENTS	REVD BY   CHKD BY   CHKD BY   APPD BY

3.94

## CROWN TRITON G2 Premium Efficiency AC 3 Phase Motor

Cat. No. IEEE5-12-215TCRD

5HP	6P	460V	Amps	7.63	Type	HLS	Amb.	40°C	
Frame	215TC	Duty	CONT	Encl.	TEFC	Model	HLS215PR338	NEMA Nom. Eff. 89.5%	
RPM	1180	Hertz	60Hz	S.F.	1.15	INS. Class	F HD-F1	3/4 Eff. 88.5%	
Bearing	Drive	6208ZC3	S.F.1.25 (When 100HP or less, Temp Rise F & Non-Hazardous)				NEMA Design	B Torque	
	Opp.	6208ZC3	S.F.1.00 (10:1 C.T., 20:1 V.T., NEMA-MG1 Part31)				Code	K	
Usable at	50Hz 3HP 380V 8.1A 980rpm S.F.: 1.0 Eff.: 81.8% Code: L								
	50Hz 3HP 400/415V 9.1/10.2A 980/985rpm S.F.: 1.0 Eff.: 81.8/81.8% Code: L/L								
CSA Certified for	Model	LATER	Type	PJP	Temp. Code	Frame	140-320FR	CE	
	CLASS I, Div. 2, Gr. A, B, C & D		CLASS II, Div. 2, Gr. E, F & G (Gr. E : up to 320FR)		(Sine Wave)	Amb.40°C	T3C (160°C)		
	CLASS I, Zone 2, Gr. IIA, IIB & IIC					Amb.55°C	T3A (180°C)		
No.	-		Date	-		Weight	180 lb		

CC038A

**MARINE DUTY IEEE45**

**IEEE Std 841-2021**

1.57

APPD BY	S.Y.KIM	UNIT	INCH	SUBJECT	CSA Class I, Division2 IEEE841 (HL)	DWG SIZE
CHKD BY	I.K.KIM	SCALE	NONE			A4 ( 1:1 )
CHKD BY	R.G.KIM	PROJEC'N	3rd Angle	TITLE <b>NAMEPLATE DRAWING</b>		
DSND BY	S.H.LEE	DATE	2024.06.07			

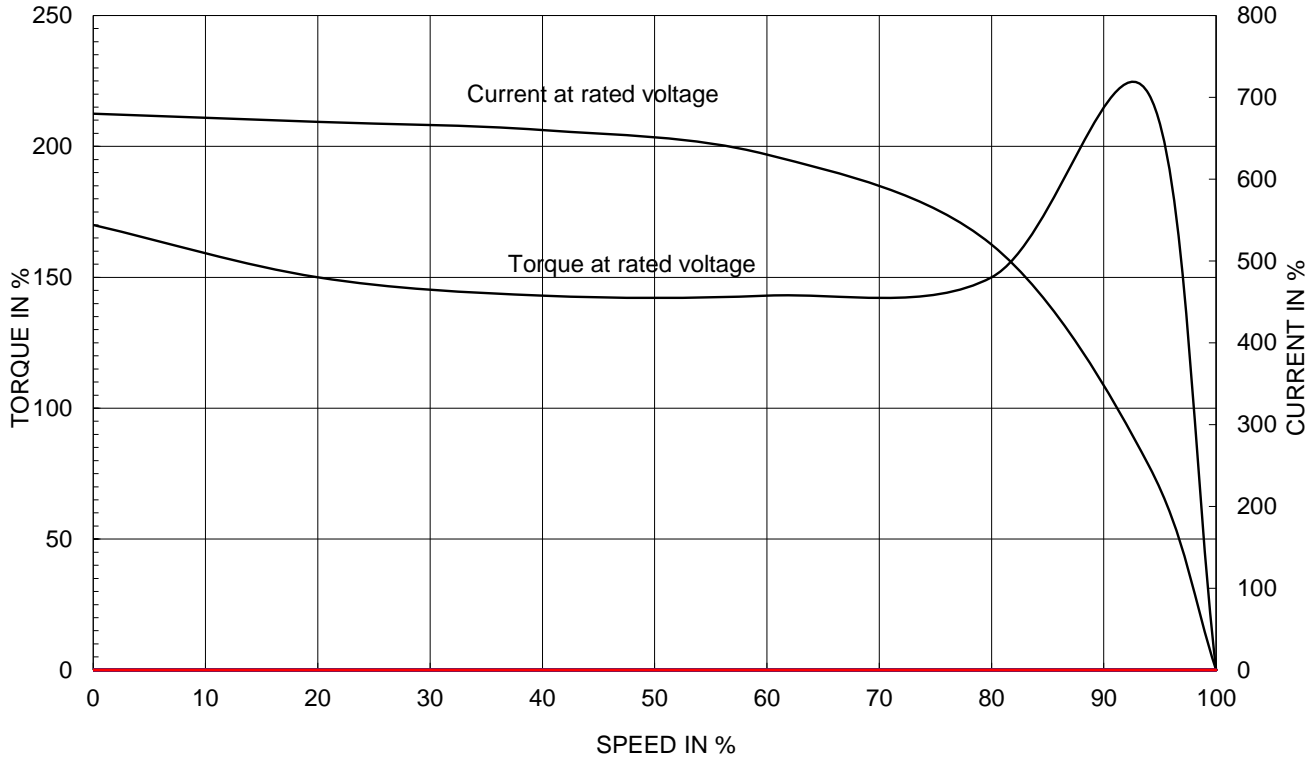


REF. NO	<b>4M-135733</b>	Sheet No. of
DWG NO	<b>NP-IEEE5-12-215TCRD</b>	Revision No. <b>0</b>

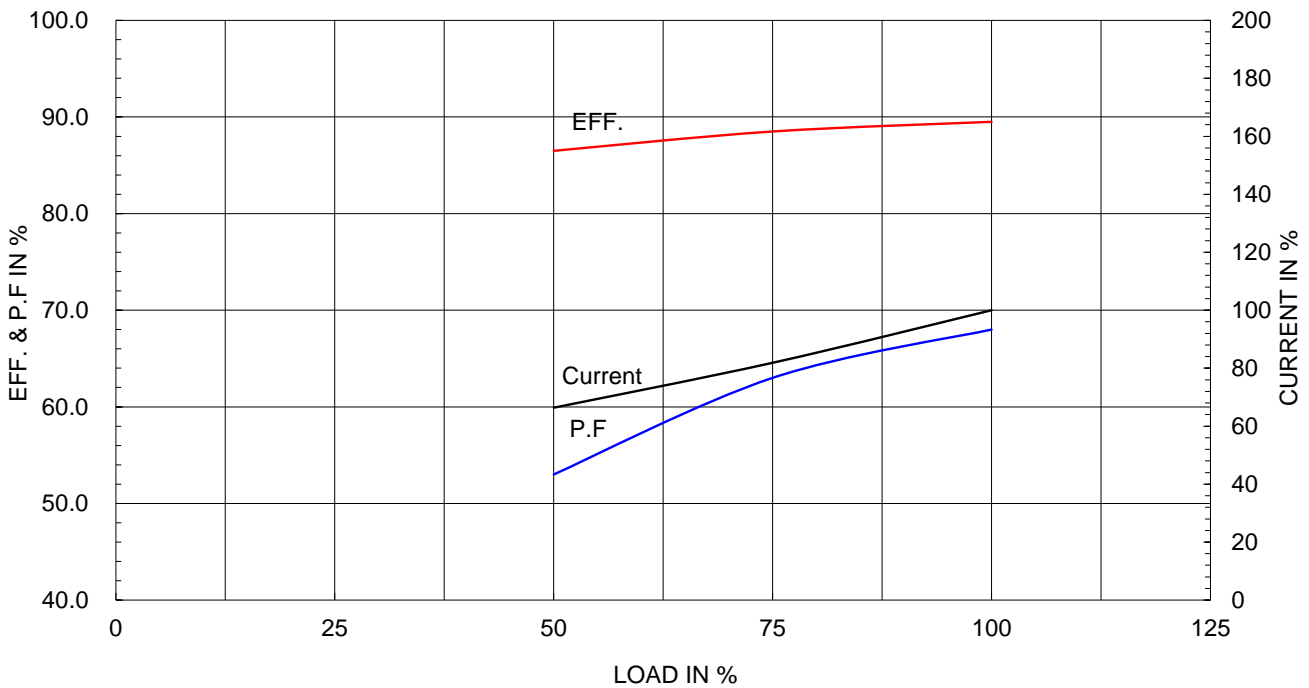
Type :	PJP
Full Load Torque :	22.1 lb.ft
Load moment of Inertia (J) :	96.700 lb.ft2
Motor moment of Inertia (J) :	1.234 lb.ft2

3.7kW 5HP	6 P	60 Hz
Speed at Full Load :		1180 RPM
Rated Voltage	575V	460V 230V
Full Load Current	6.1A	7.6A 15.3A

SPEED VS TORQUE & CURRENT CURVE



OUTPUT VS EFF., P.F & CURRENT CURVE

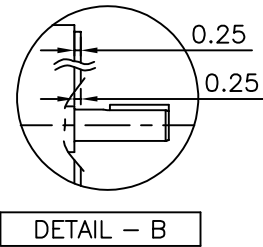
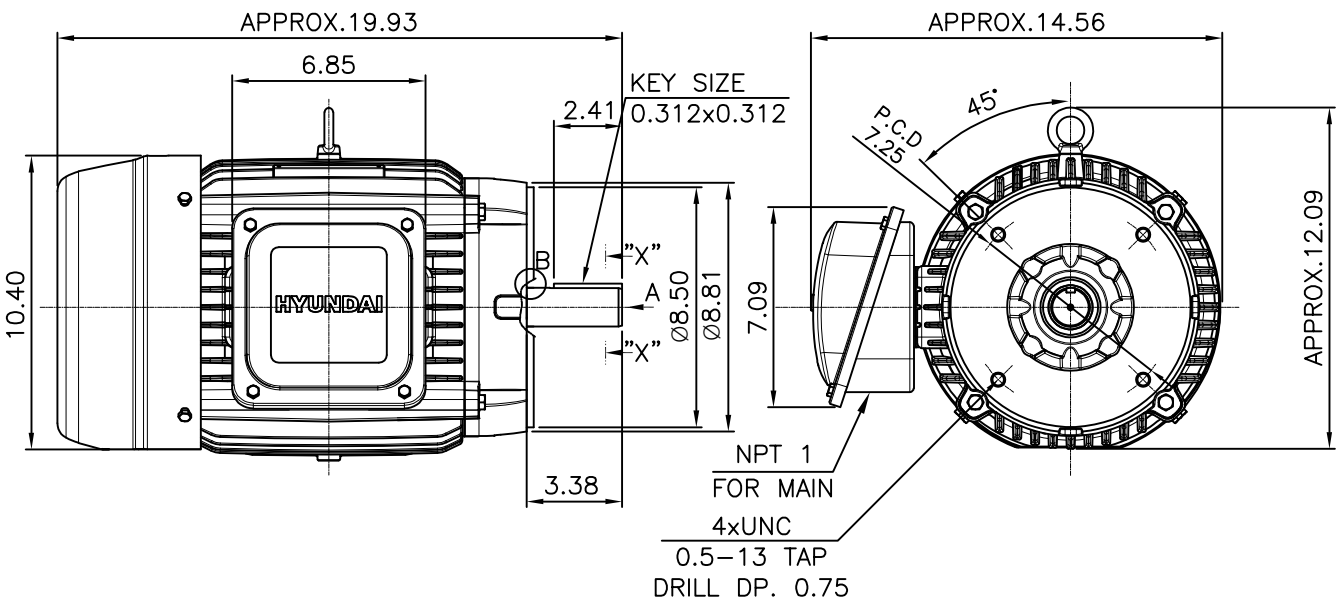


본 도면은 HD현대일렉트릭(주) 재산이며 허가없이 복사할 수 없음 (취급유의)

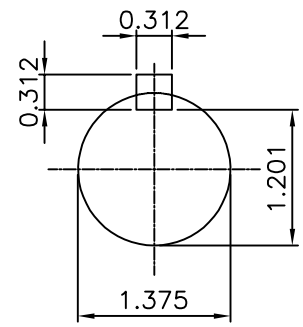
THIS DRAWING IS PROPRIETARY TO HYUNDAI ELECTRIC. NO PART OF THIS DRAWING MAYBE REPRODUCED WITHOUT THE PERMISSION OF HYUNDAI ELECTRIC.

▽	50S	REV	DATE	CONTENTS	REVD BY	CHKD BY	CHKD BY	APPD BY
▽▽	12.5S							
▽▽▽	3.2S							
▽▽▽▽	0.4S							

**IEEE841**



VIEW "A"



SECTION "X-X"  
SCALE 4/7

NOTE

[TOLERANCE]

1. CENTER HEIGHT : +0.00inch - 0.03inch
2. SHAFT DIAMETER : +0.000inch - 0.0005inch
3. KEYWAY DEPTH : +0.000inch - 0.015inch

APPD BY	S.Y.KIM	UNIT	mm	SUBJECT	NEMA 215TC	DWG SIZE	A4 ( 1:7 )
CHKD BY	R.G.KIM	SCALE	1/7	TITLE	<b>OUTLINE</b>		
CHKD BY		PROJEC'N	3rd Angle				
DSND BY	J.H.JEON	DATE	2023-01-18				
				REF. NO	.	Sheet No.	of
				DWG NO	LM-I2215C5PLV23	Revision No.	0

**Cls. I&II, Div. 2  
IEEE 841**



SEC. "A" - "A"

▽	50S
▽▽	12.5S
▽▽▽	3.2S
▽▽▽▽	0.4S

REV	DATE	CONTENTS	REVD BY	CHKD BY	CHKD BY	APPD BY

일반기공공차		일반재관공차	
1-4	±0.1	6-30	±0.5
4-18	±0.2	30-120	±0.8
18-63	±0.3	120-315	±1.2
63-250	±0.5	315-1000	±2.0
250-	±0.8	1000-	±3.0

Q'TY	DESCRIPTION	MATERIAL	DIMENSION	WEIGHT	PART NO.	REMARK	NO.
APPD BY	S.Y.KIM	UNIT	inch(mm)	SUBJECT	FR. 210 (CAST IRON)	DWG SIZE	
CHKD BY		SCALE	1/1.5	TITLE	TERMINAL BOX ASS'Y		
CHKD BY	R.G.KIM	PROJEC'N	3rd Angle	DATE	2023-10-19		
DSND BY	배승희						
REF. NO		Sheet No.	of				
DWG NO	3M-248457	Revision No.	0				

