

Customer :
Project Name :
Project No. :
Revision No. :

SPECIFICATION for INDUCTION MOTOR



| 0 | | For Bidding | | | |
|-----|------|-------------|-------------|------------|-------------|
| No. | DATE | DESCRIPTION | PREPARED BY | CHECKED BY | APPROVED BY |



AC INDUCTION MOTOR DATA SHEET

IEEE841 TYPE

| | | | |
|--------------|--------------------------|-------------|------------------------------------|
| Catalog No. | IEEE350-36-L449TS-IBSHSP | Item No. | Rev. No. [] |
| Project Name | | Project No. | Quantity sets |

| GENERAL SPECIFICATION | | PERFORMANCE DATA | | | |
|--|--|--|--|-------------------|----------------------|
| Frame Size | L449TS | Rated Output | 260 kW 350 HP | | |
| Type | PJP | Number of Poles | 2 | | |
| Enclosure(Protection) | Totally Enclosed / IP55 | Rotor Type | Squirrel Cage | | |
| Method of Cooling | IC411(FC) | Starting Method* | D.O.L | | |
| Rated Frequency | 60 Hz | Rated Voltage | 575 V | 460 V | 230 V |
| Number of Phases | 3 | Current | Full Load | 302.8 A | 378.5 A 757.0 A |
| Insulation Class | F | | Locked-rotor** | 700 % | 700 % 700 % |
| Temp. Rise at full load (by resistance method) | | Efficiency | | | |
| at 1.0 S.F | 80 deg. C | 50% Load | | 92.8 % | |
| Motor Location | <input type="checkbox"/> Indoor <input type="checkbox"/> Outdoor | 75% Load | | 94.8 % | |
| Altitude | Less than 1,000 meter | 100% Load | | 95.8 % | |
| Relative Humidity | Less than 80 % | Power Factor(p.u) | | | |
| Ambient Temp. | 40 deg. C (Max.) | 50% Load | | 0.750 | |
| Duty Type | Continuous (S1) | 75% Load | | 0.850 | |
| Service Factor | 1.15 | 100% Load | | 0.900 | |
| Mounting | B3 | Speed at Full Load | 3570 r.p.m | | |
| Bearing | Type | Anti-Friction | Torque | | |
| | DE/N-DE | 6315C3 / 6315C3-INS. | Full Load | 513.1 lb.ft | |
| | Lubricant | Grease(Polyrex-EM) | Locked-rotor** | 130 % | |
| External Thrust | Not applicable | Breakdown** | 225 % | | |
| Coupling Method | <input checked="" type="checkbox"/> Direct <input type="checkbox"/> V-belt | Moment of Inertia (J) | | | |
| Shaft Extension | Single | Load(Max.) | 281.000 lb.ft2 | | |
| Terminal Box | Main | Cast Iron | Motor | 50.550 lb.ft2 | |
| | Aux. | Yes | Sound Pressure Level (No-load & mean value at 1m from motor) | | |
| Location | Refer to Outline Drawing | | | 87 dB(A) | |
| Application | | Vibration | | 3.8 mm/sec (peak) | |
| Area classification | Hazardous | Permissible number of consecutive starts | Cold | 2 times | |
| Type of Ex-Protection | Class I&II, Division 2 | | Hot | 1 time | |
| Applicable Standard | IEEE841, NEMA MG1, CSA C390 | Paint | Munsell No. | 7.5BG6/1.5 | |

| ACCESSORIES |
|-----------------------------|
| *. Space Heater : 1EA/Motor |

| SPARE PARTS |
|------------------------------------|
| 1. Spare Axial Fan (C.W Direction) |

| SUBMITTAL DRAWING | | |
|---------------------------|-----------------------|----------|
| Outline Dimension Drawing | Motor Weight(Approx.) | |
| B3 | LM-I044XB3CE001 | 3090 lb. |

REMARK

1. Premium efficiency according to NEMA MG1
2. Inverter Duty @ 1.0 Service Factor & F Temperature rise
 - . 10:1 VT (20:1 VT at 50% load)
 - . 10:1 CT
 - . CHp up to 1.5 times base speed, NEMA MG1 Part31
3. NDE side : Insulated bearing
4. CSA Certification
 - . Class I, Division 2, Group A, B, C & D; Temp code : T3
 - . Class II, Division 2 Group F & G; Temp code : T3
5. Uni-directional CCW viewed from drive end.

| | | | | |
|------------|----------|----------|----------|----------|
| Date | DSND | CHKD | CHKD | APPD |
| 2024-07-13 | S.H. Lee | I.K. Kim | R.G. Kim | S.W. Kim |

[Note] Others not mentioned in this data sheet shall be in accordance with maker standard.
 Above technical data are only design values and shall be guaranteed with tolerance of applicable standard.
 Inspection and performance test shall be done according to maker standard, if not mentioned.
 * In case of Inverter-Fed Motor, performance data is based on sine wave tests. It may be different from test data of Inverter combined motor.
 ** Data is based on rated voltage & frequency and is expressed as a percentage of full-load value.

| 1 | 2 | 3 | 4 |
|-----|------|----------|---------|
| REV | DATE | CONTENTS | REVD BY |
| | | | |
| | | | |
| | | | |

4.72

| | | | |
|-----------------------------|--------------------------------------|-------------------------------------|----------------------|
| 350HP 2P 460V | | Cat. No. IEEE350-36-L449TS-IBSHSP | |
| Model | LATER | INS. Class | F |
| Type | PJP | Duty | CONT |
| Frame | L449TS | Encl. | TEFC |
| Bearing | Drive | 6315C3 | S.F. 1.15 |
| | Opp. | 6315C3-INS. | |
| Usable at | | Temp. Code (sine wave) | |
| CSA Certified for | CLASS I, Div. 2, Gr. A, B, C & D | CLASS II, Div. 2, Gr. F & G | Frame L440FR - 500FR |
| | CLASS I, Zone 2, Gr. IIA, IIB, & IIC | | Amb. 40°C T3 (200°C) |
| No. | - | Date | - |
| IEEE Std 841-2021 4M-136054 | | MARINE DUTY IEEE45 Made in Korea H1 | |

2.36



| | | | | | | |
|---------|---------|----------|------------|-----------------------------------|-------------------------------------|------------|
| APPD BY | S.Y.KIM | UNIT | INCH | SUBJECT | CSA Class I, Division2 IEEE841 (XL) | DWG SIZE |
| CHKD BY | I.K.KIM | SCALE | NONE | | | A4 (1:1) |
| CHKD BY | R.G.KIM | PROJEC'N | 3rd Angle | TITLE NAMEPLATE DRAWING | | |
| DSND BY | S.H.LEE | DATE | 2024.06.07 | | | |

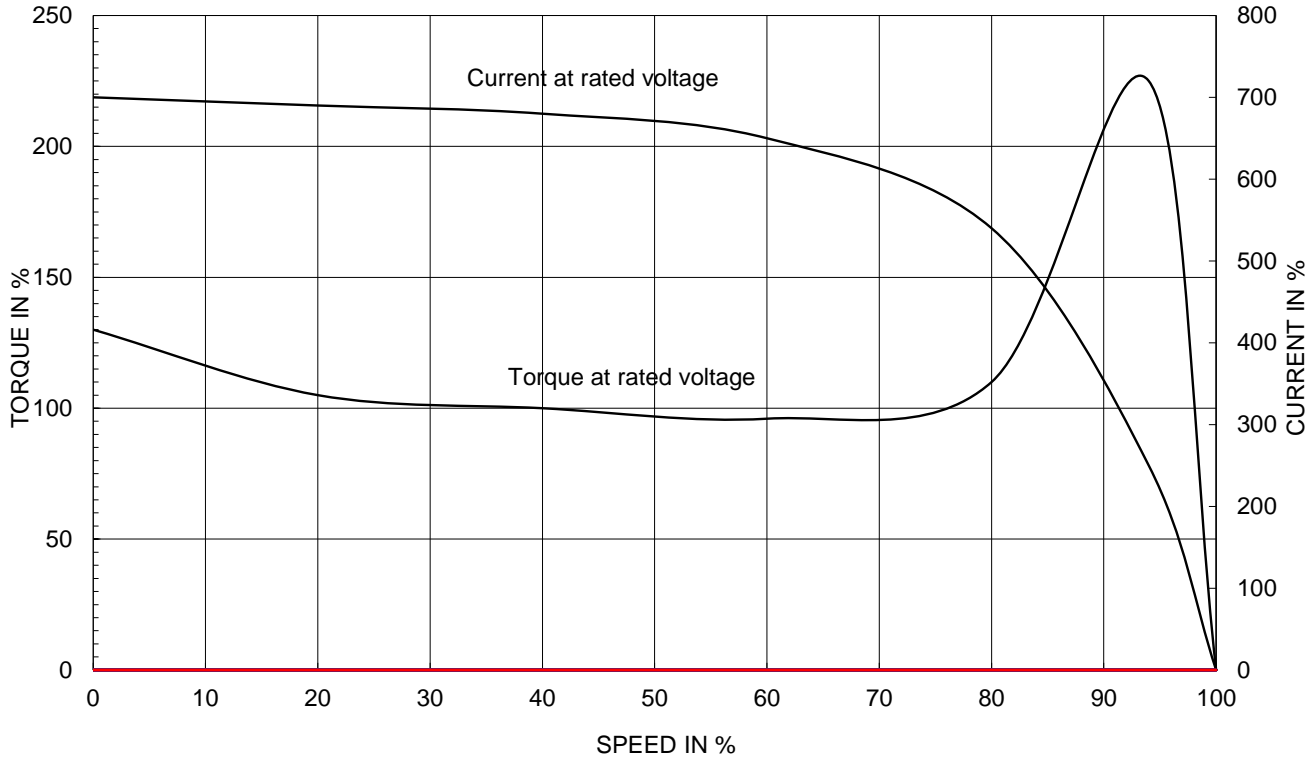


| | | | |
|---------|-----------------------------|--------------|----------|
| REF. NO | 4M-136054 | Sheet No. | of |
| DWG NO | NP-IEEE350-36-L449TS-IBSHSP | Revision No. | 0 |

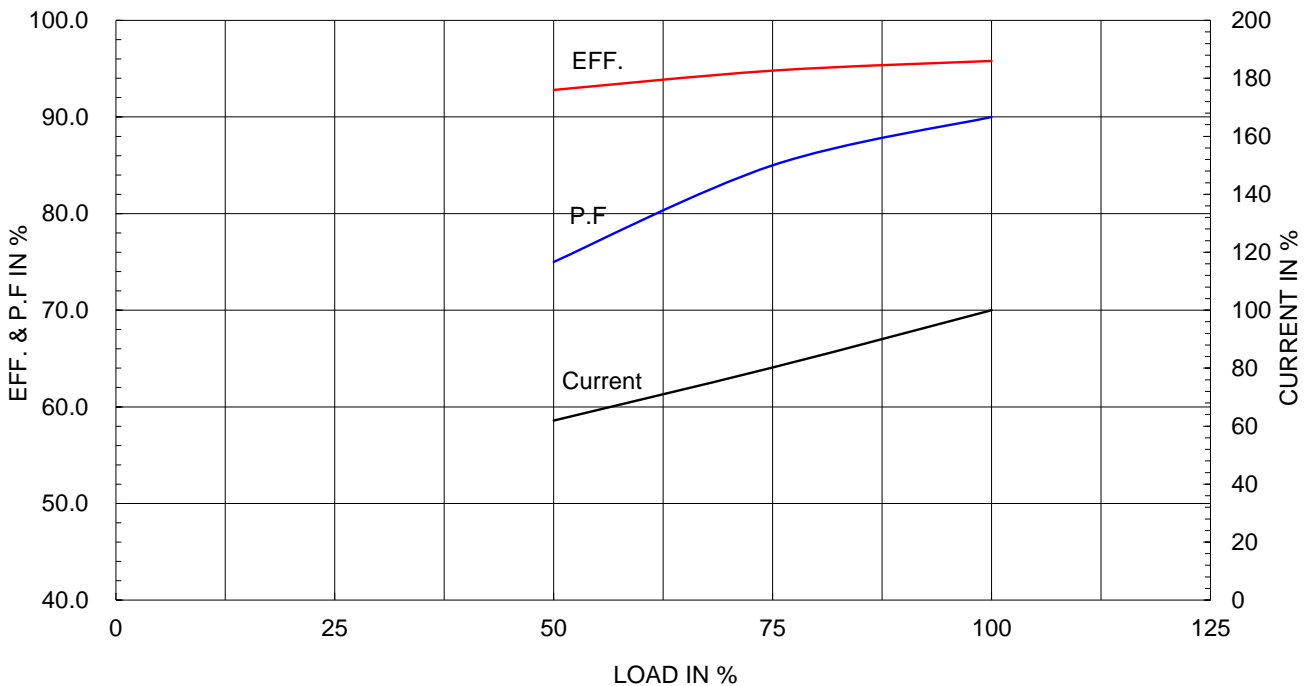
| | |
|-------------------------------|----------------|
| Type : | PJP |
| Full Load Torque : | 513.1 lb.ft |
| Load moment of Inertia (J) : | 281.000 lb.ft2 |
| Motor moment of Inertia (J) : | 50.550 lb.ft2 |

| | | | |
|----------------------|--------|--------|----------|
| 260kW | 350HP | 2 P | 60 Hz |
| Speed at Full Load : | | | 3570 RPM |
| Rated Voltage | 575V | 460V | 230V |
| Full Load Current | 302.8A | 378.5A | 757.0A |

SPEED VS TORQUE & CURRENT CURVE

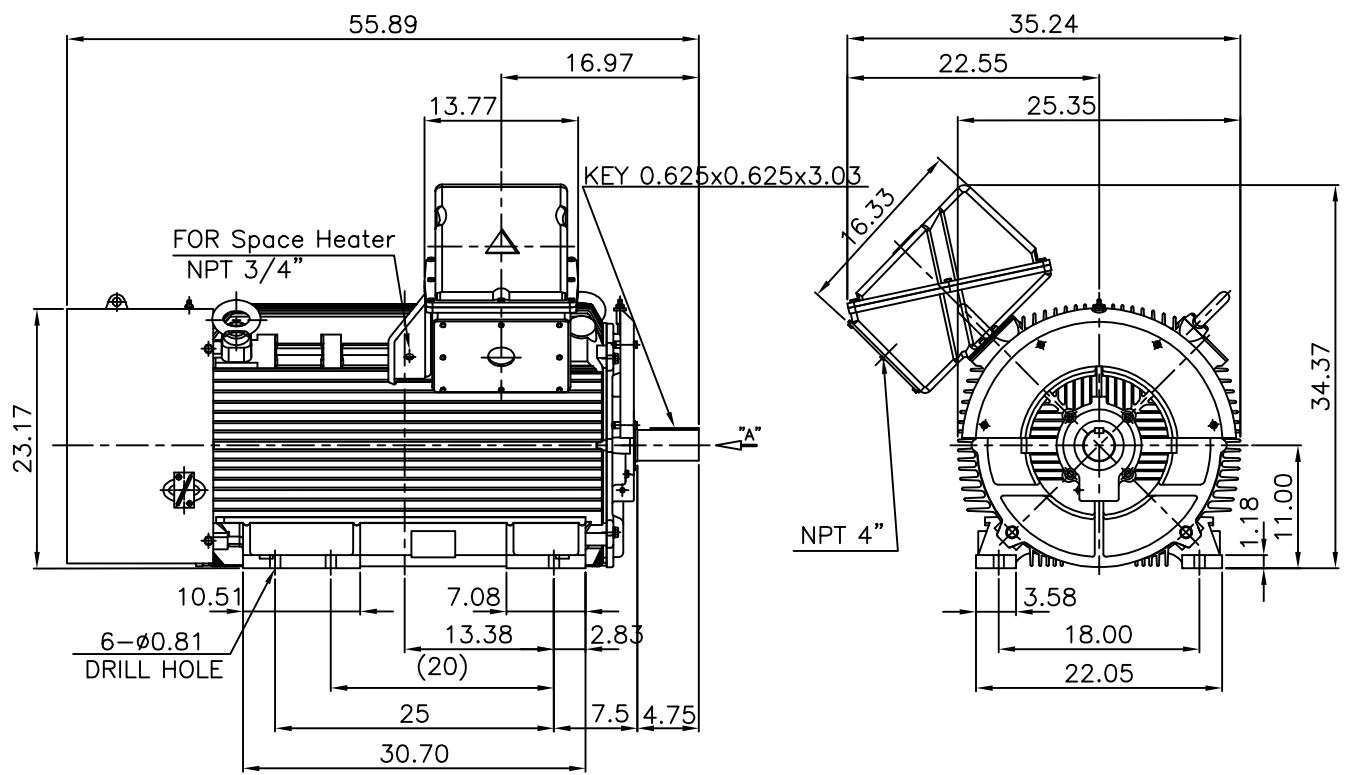


OUTPUT VS EFF., P.F & CURRENT CURVE



| | | | | | | | | |
|------|-------|-----|------|----------|---------|---------|---------|---------|
| ▽ | 50S | REV | DATE | CONTENTS | REVD BY | CHKD BY | CHKD BY | APPD BY |
| ▽▽ | 12.5S | | | | | | | |
| ▽▽▽ | 3.2S | | | | | | | |
| ▽▽▽▽ | 0.4S | | | | | | | |

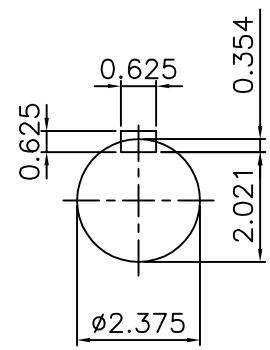
IEEE841



NOTE

1.TOLERANCE :

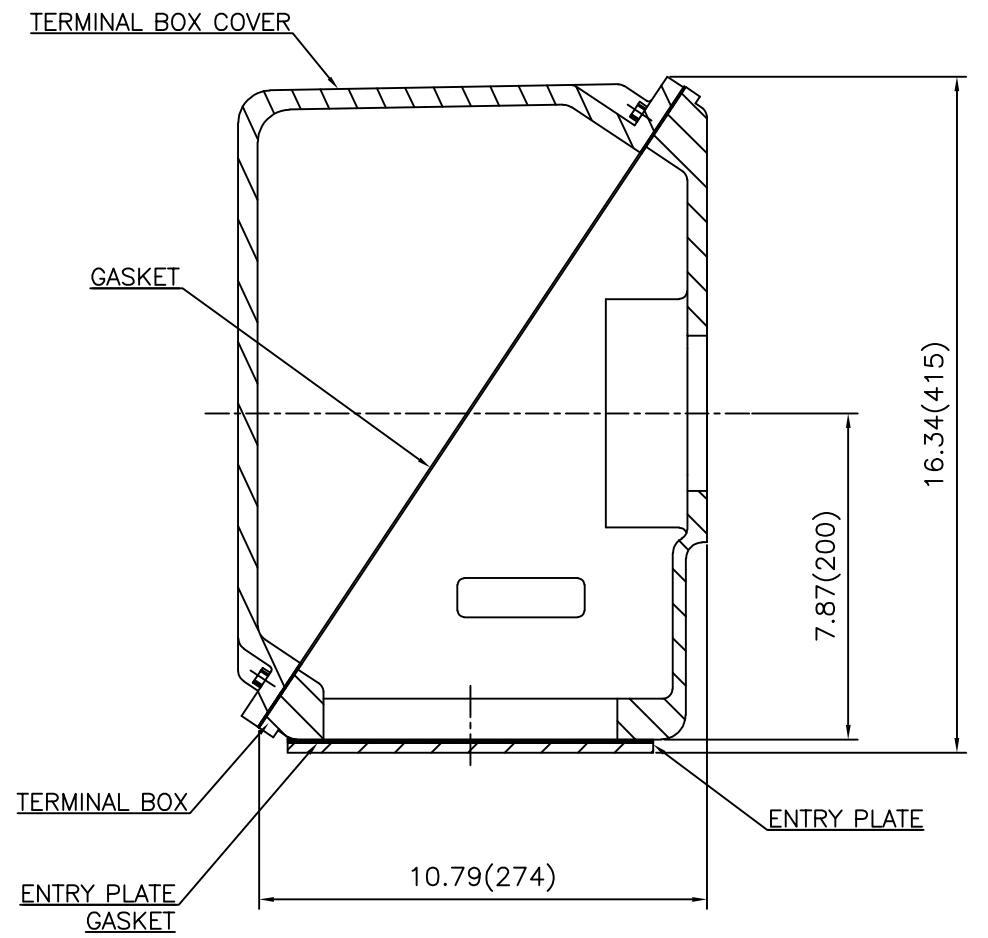
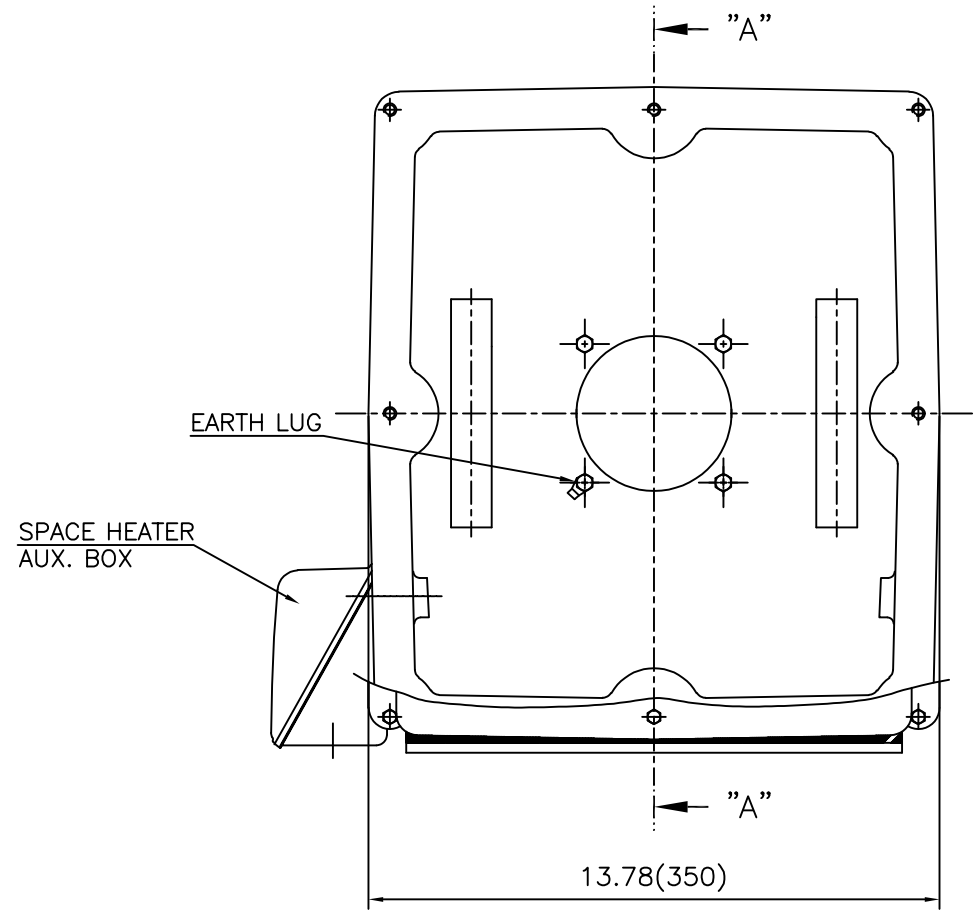
| | | | |
|----------------|--------|--------|--------|
| CENTER HEIGHT | 11 | +0.000 | -0.060 |
| SHAFT DIAMETER | ø2.375 | +0.000 | -0.001 |
| KEYWAY WIDTH | 0.625 | +0.002 | -0.000 |



VIEW "A"

| | | | | | | |
|---------|---------|----------|----------------|----------------|---------------------------------|----------------|
| APPD BY | S.Y.KIM | UNIT | INCH | SUBJECT | Fr.L449TS | DWG SIZE |
| CHKD BY | O.J.KIM | SCALE | 1/18 | TITLE | NEMA STD SHAFT(AISI 1045 SHAFT) | A4 (1:18) |
| CHKD BY | R.G.KIM | PROJEC'N | 3각법(3rd Angle) | OUTLINE | | |
| DSND BY | H.K.LEE | DATE | 2021-04-27 | | | |
| | | | | REF. NO | | Sheet No. of |
| | | | | DWG NO | LM-1044XB3CE001 | Revision No. 0 |

**Cls. I&II, Div. 2
IEEE 841**



SEC. "A" - "A"

| REV | DATE | CONTENTS | REVD BY | CHKD BY | CHKD BY | APPD BY |
|-----|------|----------|---------|---------|---------|---------|
| | | | | | | |
| | | | | | | |

| | | | | | | |
|---------|---------|----------|------------|---------|-------------------------|----------------|
| APPD BY | S.Y.KIM | UNIT | inch(mm) | SUBJECT | FR. L440 (CAST IRON) | DWG SIZE |
| CHKD BY | | SCALE | 1/3.5 | TITLE | MAIN TERMINAL BOX ASS'Y | A3 (1:3.5) |
| CHKD BY | R.G.KIM | PROJEC'N | 3rd Angle | | | |
| DSND BY | 최승희 | DATE | 2023-10-19 | | | |
| | | | | REF. NO | | Sheet No. of |
| | | | | DWG NO | 3M-248452 | Revision No. 0 |

**Cls. I&II, Div. 2
IEEE 841**



| REV | DATE | CONTENTS | REVD BY | CHKD BY | CHKD BY | APPD BY |
|-----|------|----------|---------|---------|---------|---------|
| | | | | | | |
| | | | | | | |

| | | | | | | | |
|---------|---------|----------|------------|---------|-------------------------|--------------|------------|
| APPD BY | S.Y.KIM | UNIT | inch(mm) | SUBJECT | FR.180 (CAST IRON) | DWG SIZE | A3 (1:1.1) |
| CHKD BY | | SCALE | 1/1 | TITLE | SUB. TERMINAL BOX ASS'Y | | |
| CHKD BY | R.G.KIM | PROJEC'N | 3rd Angle | REF. NO | | Sheet No. | of |
| DSND BY | 배승희 | DATE | 2024-01-18 | DWG NO | 3M-165278 | Revision No. | 0 |

