

Customer :  
Project Name :  
Project No. :  
Revision No. :

# SPECIFICATION for INDUCTION MOTOR



0		For Bidding			
No.	DATE	DESCRIPTION	PREPARED BY	CHECKED BY	APPROVED BY



# AC INDUCTION MOTOR DATA SHEET

## IEEE841 TYPE

Catalog No.	IEEE3-36-182T	Item No.	Rev. No.	[      ]
Project Name		Project No.	Quantity	sets

GENERAL SPECIFICATION			PERFORMANCE DATA			
Frame Size	182T	Rated Output	2.2 kW		3 HP	
Type	PJP	Number of Poles	2			
Enclosure(Protection)	Totally Enclosed / IP55	Rotor Type	Squirrel Cage			
Method of Cooling	IC411(FC)	Starting Method*	D.O.L			
Rated Frequency	60 Hz	Rated Voltage	575 V	460 V	230 V	
Number of Phases	3	Current	Full Load	3.00 A	3.76 A	
Insulation Class	F		Locked-rotor**	760 %	760 %	760 %
Temp. Rise at full load (by resistance method)		Efficiency				
at 1.0 S.F	80 deg. C	50% Load		83.5 %		
Motor Location	<input type="checkbox"/> Indoor <input type="checkbox"/> Outdoor	75% Load		85.5 %		
Altitude	Less than 1,000 meter	100% Load		86.5 %		
Relative Humidity	Less than 80 %	Power Factor(p.u)				
Ambient Temp.	40 deg. C (Max.)	50% Load		0.700		
Duty Type	Continuous ( S1 )	75% Load		0.800		
Service Factor	1.15	100% Load		0.850		
Mounting	B3	Speed at Full Load		3520 r.p.m		
Bearing	Type	Anti-Friction		Torque		
	DE/N-DE	6206ZC3 / 6206ZC3		Full Load	4.4 lb.ft	
	Lubricant	Grease(Polyrex-EM)		Locked-rotor**	190 %	
External Thrust	Not applicable		Breakdown**	260 %		
Coupling Method	<input checked="" type="checkbox"/> Direct <input type="checkbox"/> V-belt	Moment of Inertia (J)				
Shaft Extension	Single	Load(Max.)		3.550 lb.ft2		
Terminal Box	Main	Cast Iron		Motor		
	Aux.	No		0.071 lb.ft2		
	Location	Refer to Outline Drawing				
Application		Sound Pressure Level (No-load & mean value at 1m from motor)				
Area classification	Hazardous	72 dB(A)				
Type of Ex-Protection	Class I&II, Division 2	Vibration				
Applicable Standard	IEEE841, NEMA MG1, CSA C390	3.8 mm/sec (peak)				
		Permissible number of consecutive starts		Cold	3 times	
				Hot	2 times	
		Paint	Munsell No.	7.5BG6/1.5		

ACCESSORIES

SUBMITTAL DRAWING		
Outline Dimension Drawing	Motor Weight(Approx.)	
B3	LM-I2182B3PLV23	105 lb.

SPARE PARTS

REMARK				
1. Premium efficiency according to NEMA MG1 2. Inverter Duty @ 1.0 Service Factor & F Temperature rise -. 10:1 VT (20:1 VT at 50% load) -. 10:1 CT -. CHP up to 1.5 times base speed, NEMA MG1 Part31 3. CSA Certification -. Class I, Division 2, Group A, B, C & D -. Class II, Division 2 Group E, F & G (Group E : up to 320Fr.) 4. Service Factor 1.15 and Temperature rise B are applicable under the condition of sine wave power. 5. Service Factor 1.25 is applicable to motors of 100HP or less with temperature rise F & Non-Hazardous.				
Date	DSND	CHKD	CHKD	APPD
2024-07-13	S.H. Lee	I.K. Kim	R.G. Kim	S.W. Kim

[Note] Others not mentioned in this data sheet shall be in accordance with maker standard.  
 Above technical data are only design values and shall be guaranteed with tolerance of applicable standard.  
 Inspection and performance test shall be done according to maker standard, if not mentioned.  
 \* In case of Inverter-Fed Motor, performance data is based on sine wave tests. It may be different from test data of Inverter combined motor.  
 \*\* Data is based on rated voltage & frequency and is expressed as a percentage of full-load value.

1	REV	DATE	CONTENTS	REVD BY	CHKD BY	CHKD BY	APPD BY

3.94

**CROWN TRITON G2** Premium Efficiency AC 3 Phase Motor Cat. No. IEE3-36-182T

3HP	2P	460V	Amps	3.76	Type	HLS	Amb.	40°C
Frame	182T	Duty	CONT	Encl.	TEFC	Model	HLS182SR138	NEMA Nom. Eff. 86.5%
RPM	3520	Hertz	60Hz	S.F.	1.15	INS. Class	F HD-F1	3/4 Eff. 85.5%
Bearing	Drive	6206ZC3	S.F.1.25 (When 100HP or less, Temp Rise F & Non-Hazardous)				NEMA Design	B
	Opp.	6206ZC3	S.F.1.00 (10:1 C.T., 20:1 V.T., NEMA-MG1 Part31)				Code	J
Usable at	50Hz 2HP 380V 3.6A 2925rpm S.F.: 1.0 Eff.: 81.3% Code: L							
	50Hz 2HP 400/415V 3.5/3.5A 2935/2940rpm S.F.: 1.0 Eff.: 81.3/81.3% Code: L/L							
CSA Certified for	Model	LATER	Type	PJP	Temp. Code	Frame	140-320FR	CE
	CLASS I, Div. 2, Gr. A, B, C & D		CLASS II, Div. 2, Gr. E, F & G (Gr. E : up to 320FR)		(Sine Wave)	Amb.40°C	T3C (160°C)	
	CLASS I, Zone 2, Gr. IIA, IIB & IIC					Amb.55°C	T3A (180°C)	
No.	-		Date	-		Weight	105 lb	

**MARINE DUTY IEE45 IEE Std 841-2021**

1.57

APPD BY	S.Y.KIM	UNIT	INCH	SUBJECT	CSA Class I, Division2 IEE841 (HL)	DWG SIZE
CHKD BY	I.K.KIM	SCALE	NONE			A4 ( 1:1 )
CHKD BY	R.G.KIM	PROJEC'N	3rd Angle	TITLE <b>NAMEPLATE DRAWING</b>		
DSND BY	S.H.LEE	DATE	2024.06.07			

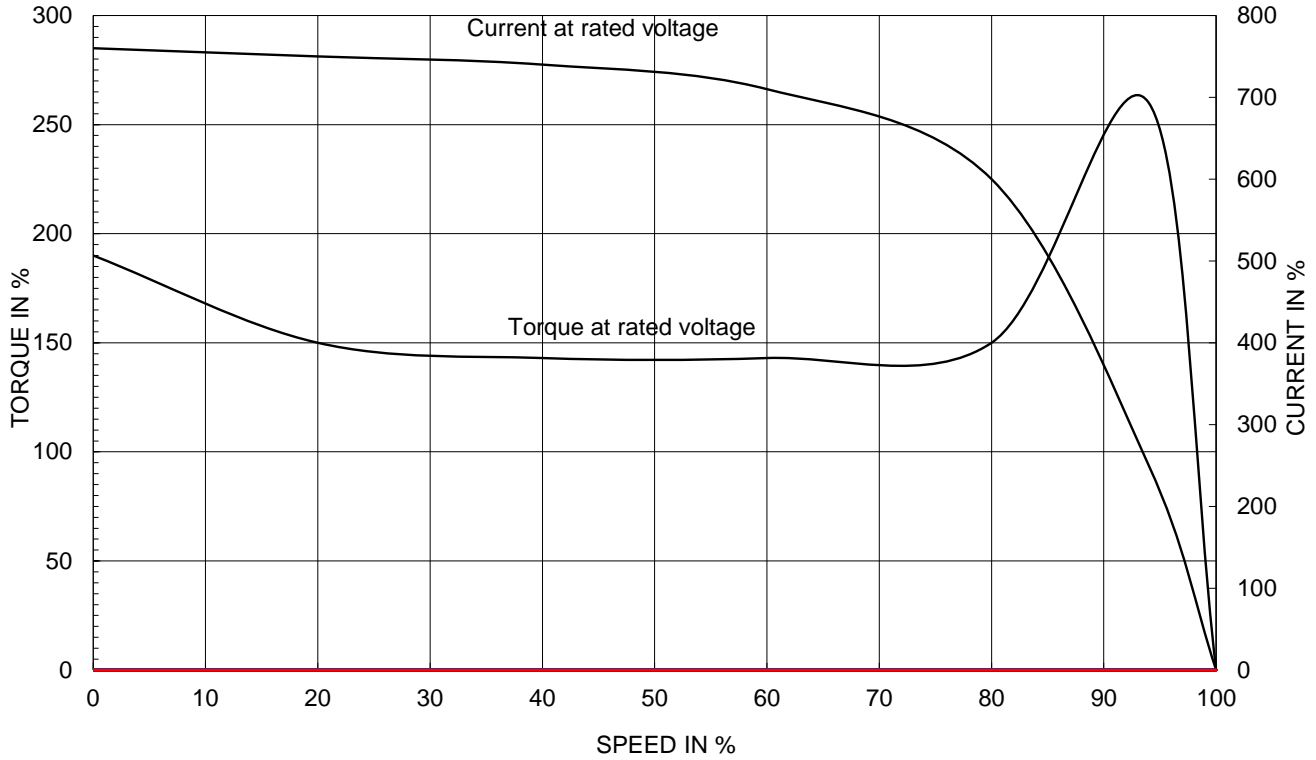


REF. NO	<b>4M-135733</b>	Sheet No.	of
DWG NO	<b>NP-IEE3-36-182T</b>	Revision No.	<b>0</b>

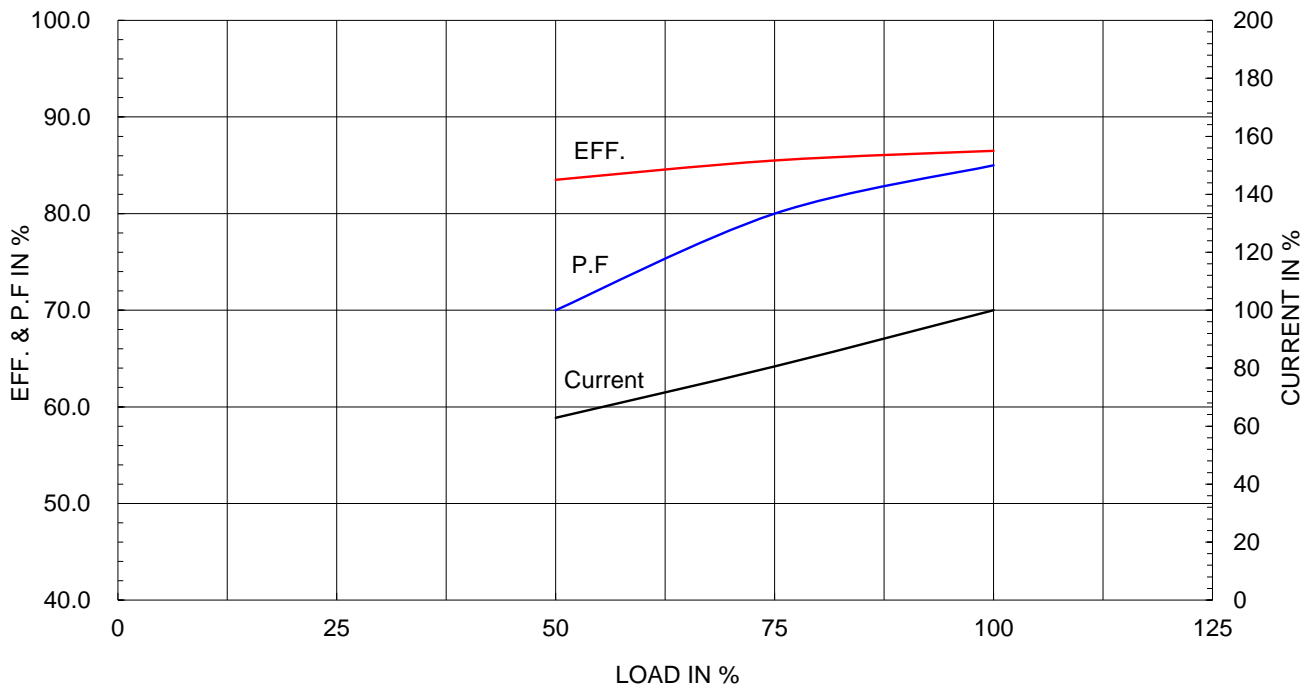
Type :	PJP
Full Load Torque :	4.4 lb.ft
Load moment of Inertia (J) :	3.550 lb.ft <sup>2</sup>
Motor moment of Inertia (J) :	0.071 lb.ft <sup>2</sup>

2.2kW 3HP	2 P	60 Hz
Speed at Full Load :		3520 RPM
Rated Voltage	575V	460V 230V
Full Load Current	3.0A	3.8A 7.5A

SPEED VS TORQUE & CURRENT CURVE



OUTPUT VS EFF., P.F & CURRENT CURVE

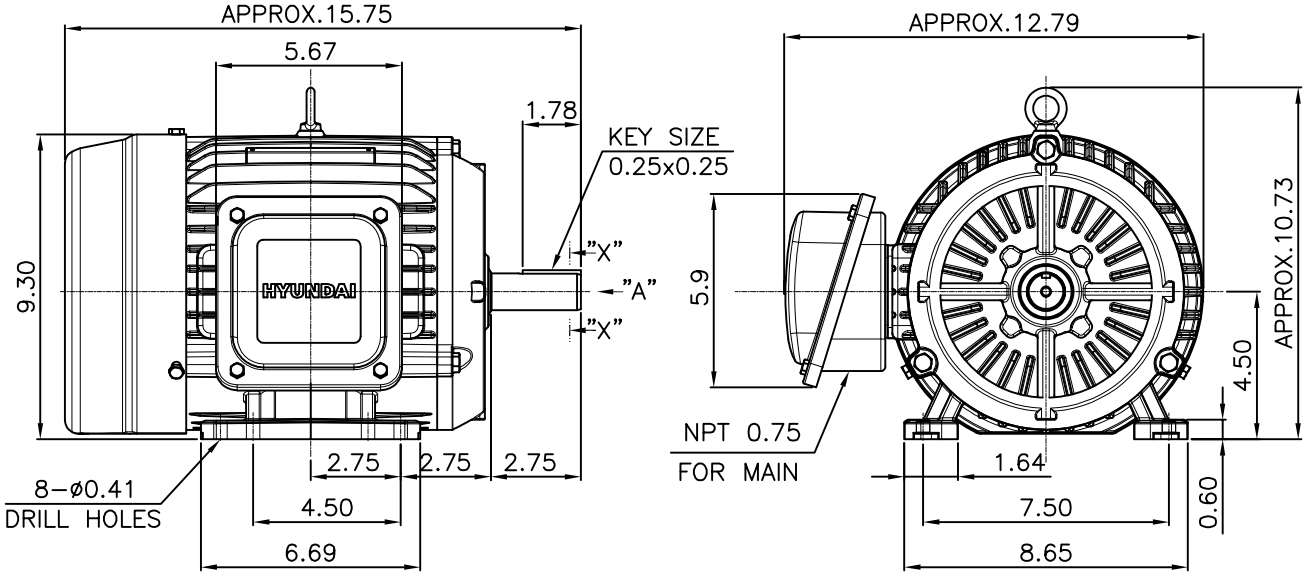


본 도면은 HD현대일렉트릭(주) 재산이며 허가없이 복사할 수 없음 (취급유의)

THIS DRAWING IS PROPRIETARY TO HYUNDAI ELECTRIC. NO PART OF THIS DRAWING MAYBE REPRODUCED WITHOUT THE PERMISSION OF HYUNDAI ELECTRIC.

▽	50S	REV	DATE	CONTENTS	REVD BY	CHKD BY	CHKD BY	APPD BY
▽▽	12.5S							
▽▽▽	3.2S							
▽▽▽▽	0.4S							

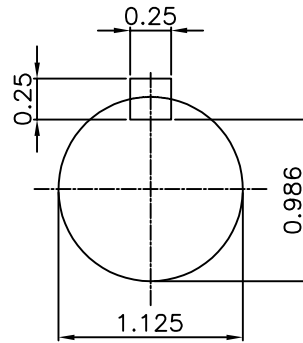
**IEEE841**



VIEW "A"

**NOTE**  
[TOLERANCE]

- CENTER HEIGHT : +0.00inch - 0.03inch
- SHAFT DIAMETER : +0.000inch - 0.0005inch
- KEYWAY DEPTH : +0.000inch - 0.015inch



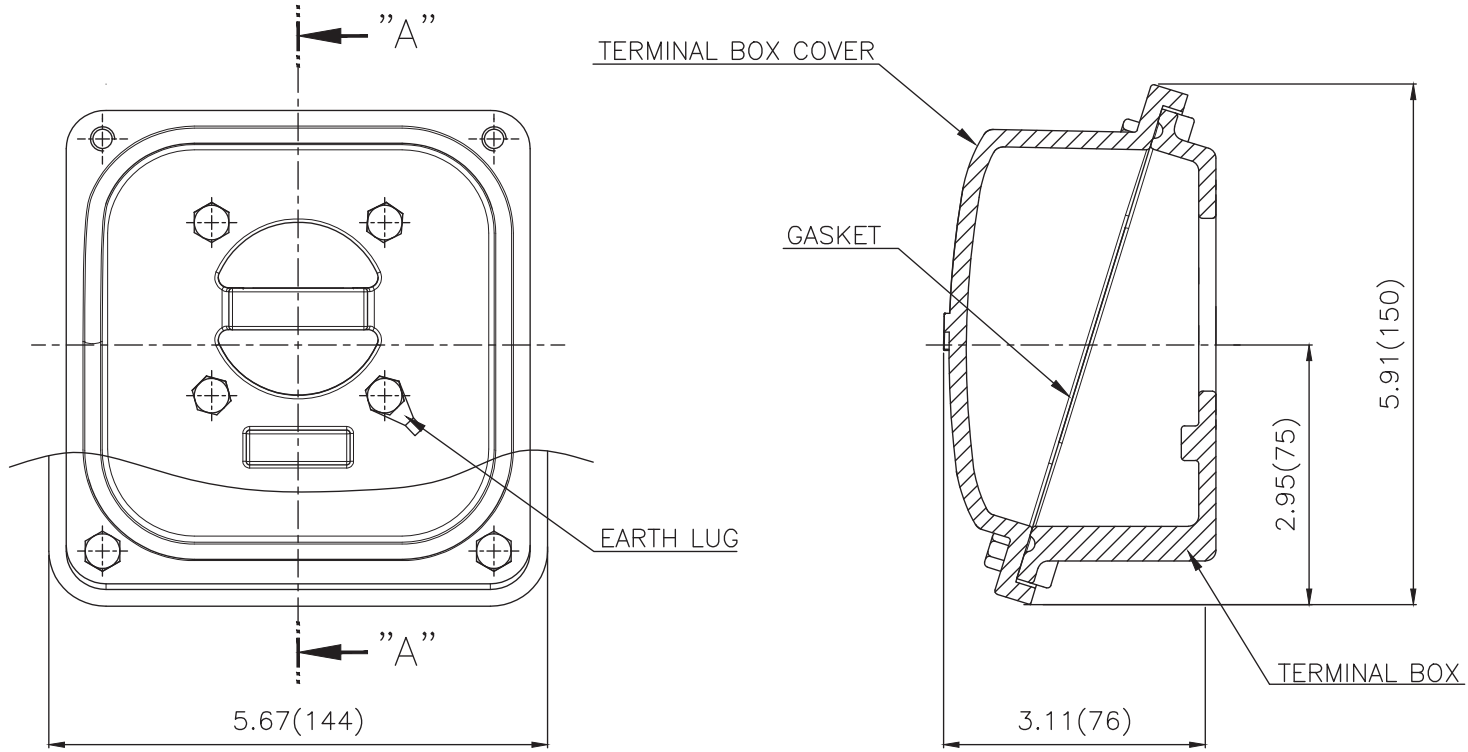
SCALE 5/6

APPD BY	S.Y.KIM	UNIT	mm	SUBJECT	NEMA 182T	DWG SIZE
CHKD BY	R.G.KIM	SCALE	1/6	TITLE	OUTLINE	A4 ( 1:6 )
CHKD BY		PROJEC'N	3rd Angle			
DSND BY	J.H.JEON	DATE	2023-01-18			



REF. NO	.	Sheet No.	of
DWG NO	LM-I2182B3PLV23	Revision No.	0

**Cls. I&II, Div. 2  
IEEE 841**



SEC. "A"-"A"

▽	50S
▽▽	12.5S
▽▽▽	3.2S
▽▽▽▽	0.4S

REV	DATE	CONTENTS	REVD BY	CHKD BY	CHKD BY	APPD BY

일반가공공차		일반제관공차	
1-4	±0.1	6-30	±0.5
4-18	±0.2	30-120	±0.8
18-63	±0.3	120-315	±1.2
63-250	±0.5	315-1000	±2.0
250-	±0.8	1000-	±3.0

Q'TY	DESCRIPTION	MATERIAL	DIMENSION	WEIGHT	PART NO.	REMARK	NO.
APPD BY	S.Y.KIM	UNIT	inch(mm)	SUBJECT	FR. 140-180 (CAST IRON)	DWG SIZE	A3 (1:1.5)
CHKD BY		SCALE	1/1.5	TITLE			
CHKD BY	R.G.KIM	PROJEC'N	3rd Angle	TERMINAL BOX ASS'Y			
DSND BY	배승희	DATE	2023-10-19	REF. NO		Sheet No.	of
				DWG NO	3M-248456	Revision No.	0

