

Customer :
Project Name :
Project No. :
Revision No. :

SPECIFICATION for INDUCTION MOTOR



0		For Bidding			
No.	DATE	DESCRIPTION	PREPARED BY	CHECKED BY	APPROVED BY



AC INDUCTION MOTOR DATA SHEET

IEEE841 TYPE

Catalog No.	IEEE1-18-143TC	Item No.		Rev. No.	[]
Project Name		Project No.		Quantity	sets

GENERAL SPECIFICATION			PERFORMANCE DATA			
Frame Size	143TC		Rated Output	0.75 kW		1 HP
Type	PJP		Number of Poles	4		
Enclosure(Protection)	Totally Enclosed	/ IP55	Rotor Type	Squirrel Cage		
Method of Cooling	IC411(FC)		Starting Method*	D.O.L		
Rated Frequency	60 Hz		Rated Voltage	575 V	460 V	230 V
Number of Phases	3		Current	Full Load	1.26 A	1.57 A
Insulation Class	F			Locked-rotor**	930 %	930 %
Temp. Rise at full load (by resistance method)			Efficiency			
at 1.0 S.F	80 deg. C		50% Load		82.5 %	
Motor Location	<input type="checkbox"/> Indoor <input type="checkbox"/> Outdoor		75% Load		84.5 %	
Altitude	Less than 1,000 meter		100% Load		85.5 %	
Relative Humidity	Less than 80 %		Power Factor(p.u)			
Ambient Temp.	40 deg. C (Max.)		50% Load		0.550	
Duty Type	Continuous (S1)		75% Load		0.650	
Service Factor	1.15		100% Load		0.700	
Mounting	B35		Speed at Full Load	1755 r.p.m		
Bearing	Type	Anti-Friction	Torque			
	DE/N-DE	6205ZC3 / 6204ZC3	Full Load	3.0 lb.ft		
	Lubricant	Grease(Polyrex-EM)	Locked-rotor**	280 %		
External Thrust	Not applicable		Breakdown**	310 %		
Coupling Method	<input checked="" type="checkbox"/> Direct <input type="checkbox"/> V-belt		Moment of Inertia (J)			
Shaft Extension	Single		Load(Max.)	7.910 lb.ft2		
Terminal Box	Main	Cast Iron	Motor	0.059 lb.ft2		
	Aux.	No	Sound Pressure Level (No-load & mean value at 1m from motor)			
Location	Refer to Outline Drawing				56 dB(A)	
Application			Vibration		3.8 mm/sec (peak)	
Area classification	Hazardous		Permissible number of consecutive starts	Cold	3 times	
Type of Ex-Protection	Class I&II, Division 2			Hot	2 times	
Applicable Standard	IEEE841, NEMA MG1, CSA C390		Paint	Munsell No.	7.5BG6/1.5	

ACCESSORIES	

SPARE PARTS	

SUBMITTAL DRAWING			
Outline Dimension Drawing	Motor Weight(Approx.)		
B35	LM-II143C4PL001	55 lb.	

REMARK

- Premium efficiency according to NEMA MG1
- Inverter Duty @ 1.0 Service Factor & F Temperature rise
 - 10:1 VT (20:1 VT at 50% load)
 - 10:1 CT
 - CHP up to 1.5 times base speed, NEMA MG1 Part31
- CSA Certification
 - Class I, Division 2, Group A, B, C & D
 - Class II, Division 2 Group E, F & G (Group E : up to 320Fr.)
- Service Factor 1.15 and Temperature rise B are applicable under the condition of sine wave power.
- Service Factor 1.25 is applicable to motors of 100HP or less with temperature rise F & Non-Hazardous.

Date	DSND	CHKD	CHKD	APPD
2024-07-13	S.H. Lee	I.K. Kim	R.G. Kim	S.W. Kim

[Note] Others not mentioned in this data sheet shall be in accordance with maker standard.
 Above technical data are only design values and shall be guaranteed with tolerance of applicable standard.
 Inspection and performance test shall be done according to maker standard, if not mentioned.
 * In case of Inverter-Fed Motor, performance data is based on sine wave tests. It may be different from test data of Inverter combined motor.
 ** Data is based on rated voltage & frequency and is expressed as a percentage of full-load value.

본 도면은 HD현대일렉트릭(주) 재산이며 허가없이 복사할 수 없음 (취급주의)

THIS DRAWING IS PROPRIETARY TO HYUNDAI ELECTRIC. NO PART OF THIS DRAWING MAYBE REPRODUCED WITHOUT THE PERMISSION OF HYUNDAI ELECTRIC.

1	2	3	4
REV	DATE	CONTENTS	REVD BY

4.02

CROWN TRITON
Premium Efficiency AC 3 Phase Motor

1HP	4P	460V	Cat. No.	IEEE1-18-143TC			
Model	HLS143PL238	INS. Class	F	HD-F1	Amps	1.57	
Type	HLS	Duty	CONT	Code	L	Hertz	60Hz
Frame	143TC	Encl.	TEFC	RPM	1755	Amb.	40°C
<input type="checkbox"/>	Drive	6205ZC3		S.F.	1.15	NEMA Design	B
	Opp.	6204ZC3		S.F.1.00(10:1 C.T., 20:1 V.T., NEMA-MG1 Part31)			<input type="checkbox"/>
Usable at	50Hz 0.75HP 380V 1.7A 1455rpm S.F.: 1.0 Eff.: 77.1% Code: L						
	50Hz 0.75HP 400/415V 1.7/1.8A 1460/1465rpm S.F.: 1.0 Eff.: 77.1/77.1% Code: L/L						
CSA Certified for	Model	LATER	Type	PJP	Temp. Code	Frame	140~320FR
		CLASS I, Div 2, Gr A, B, C & D	CLASS II, Div 2, Gr E, F & G		(sine wave)	Amb.40°C	T3C (160°C)
		CLASS I, Zone 2, Gr IIA, IIB & IIC				Amb.55°C	T3A (180°C)
No.	-		Date	-		Weight	55 lb

IEEE Std 841-2021

NP249A7178RCP1

MARINE DUTY IEEE45

Made in Korea H3

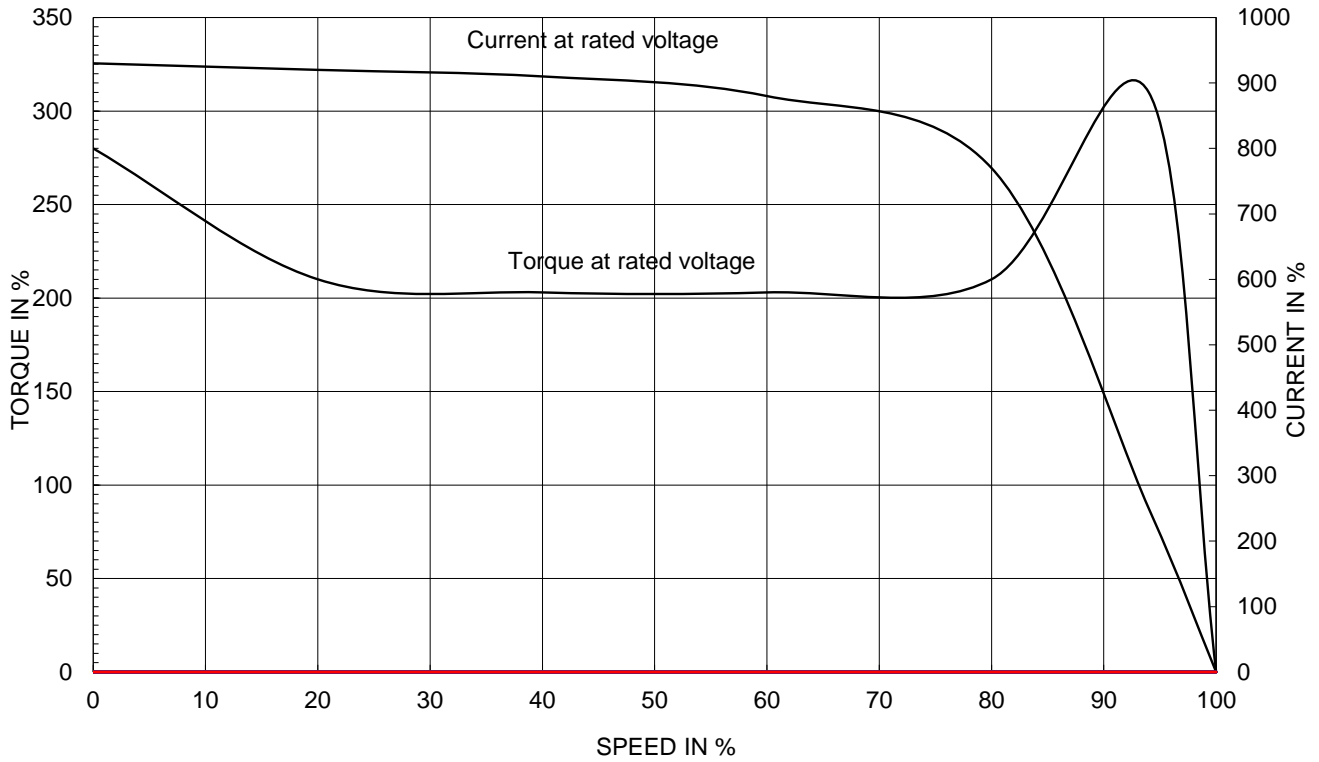
1.81

APPD BY	S.Y.KIM	UNIT	INCH	SUBJECT	CSA Class I, Division2 IEEE841 (HL)	DWG SIZE
CHKD BY	I.K.KIM	SCALE	NONE			A4 (1:1)
CHKD BY	R.G.KIM	PROJEC'N	3rd Angle	TITLE	NAMEPLATE DRAWING	
DSND BY	S.H.LEE	DATE	2024.06.07			
				REF. NO	NP249A7178R	Sheet No. of
				DWG NO	NP-IEEE1-18-143TC	Revision No. 0

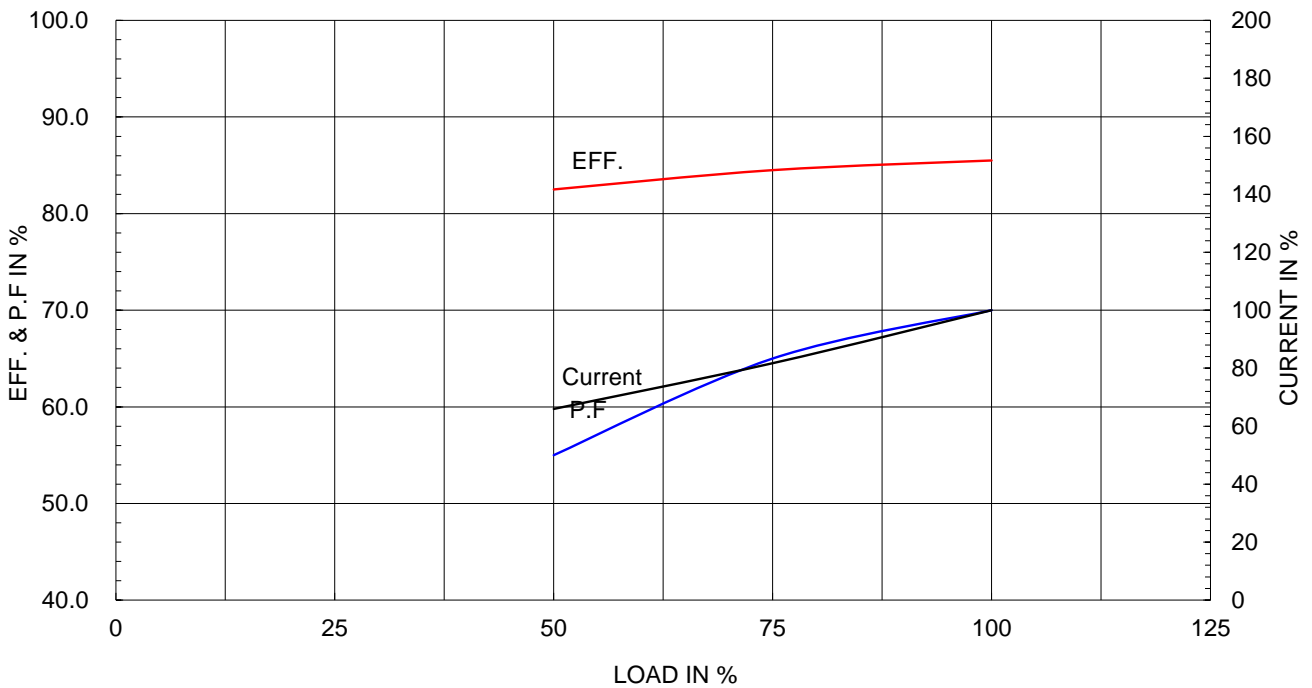
Type :	PJP
Full Load Torque :	3.0 lb.ft
Load moment of Inertia (J) :	7.910 lb.ft ²
Motor moment of Inertia (J) :	0.059 lb.ft ²

0.75kW	1HP	4 P	60 Hz
Speed at Full Load :			1755 RPM
Rated Voltage	575V	460V	230V
Full Load Current	1.3A	1.6A	3.1A

SPEED VS TORQUE & CURRENT CURVE



OUTPUT VS EFF., P.F & CURRENT CURVE

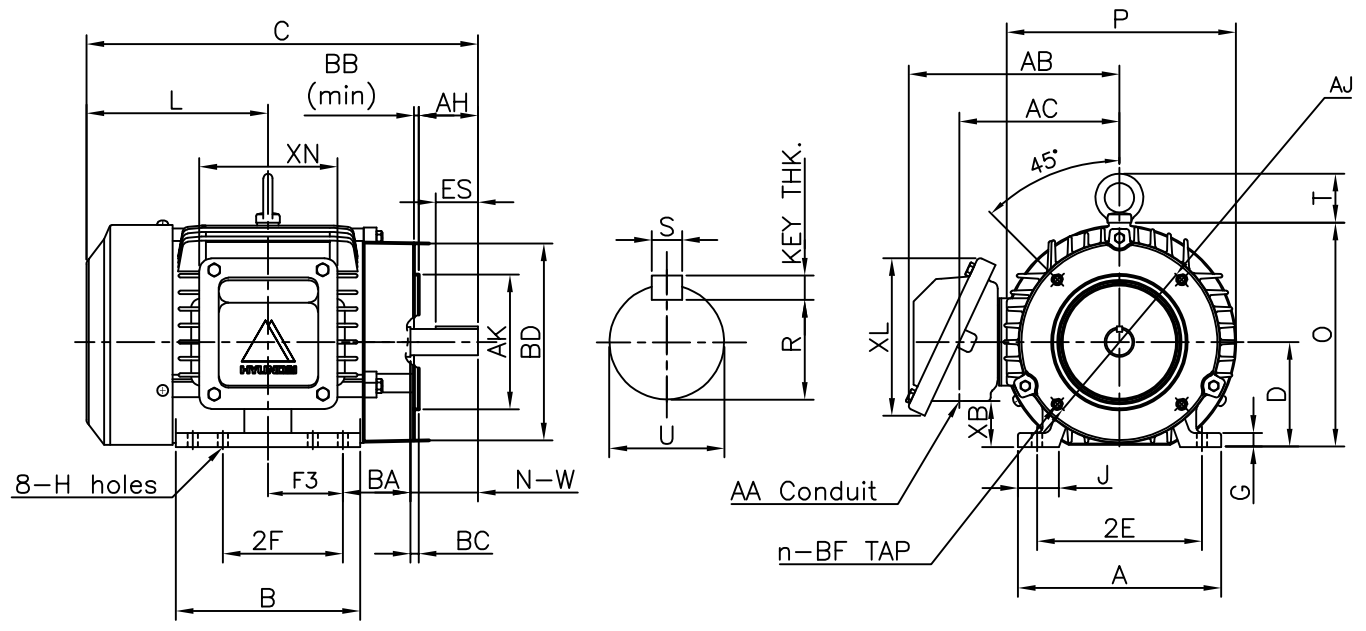


본 도면은 HD현대일렉트릭(주) 재산이며 허가없이 복사할 수 없음 (취급주의)

THIS DRAWING IS PROPRIETARY TO HYUNDAI ELECTRIC. NO PART OF THIS DRAWING MAYBE REPRODUCED WITHOUT THE PERMISSION OF HYUNDAI ELECTRIC.

▽	50S	REV	DATE	CONTENTS	REVD BY	CHKD BY	CHKD BY	APPD BY
▽▽	12.5S							
▽▽▽	3.2S							
▽▽▽▽	0.4S							

IEEE841



DIMENSIONS

Unit : inch

F L A N G E							M O U N T I N G									
AJ	AK	BD	BB	BC	BF	n	A	B	2E	-	2F	F3	G	J	H	
5.875	4.50	6.57	0.16	+0.12	3/8-16	4	6.78	6.15	5.50	-	4.00	2.50	0.45	1.36	0.34	

C O N D U I T B O X						O V E R A L L							APPROX. WGT.(LB)
AA	AB	AC	XB	XL	XN	BA	C	D	L	O	P	T	
0.75	7.02	5.34	1.53	5.26	4.61	2.25	13.05	3.50	6.05	7.46	7.64	1.63	55

S H A F T						KEY THK.	B E A R I N G	
U	N-W	A-H	KEYWAY				DRIVE END	OPP. DRIVE END
			R	ES	S			
0.875	2.25	2.12	0.771	1.41	0.188	0.188	6205ZZ	6204ZZ

NOTE

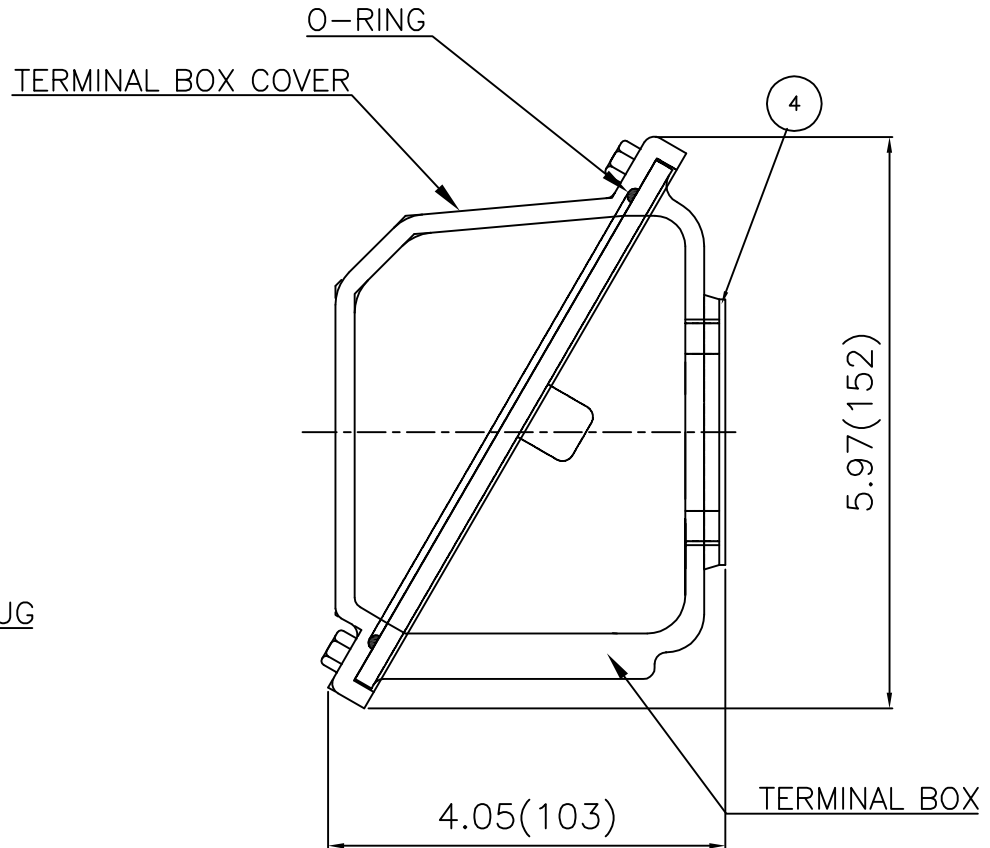
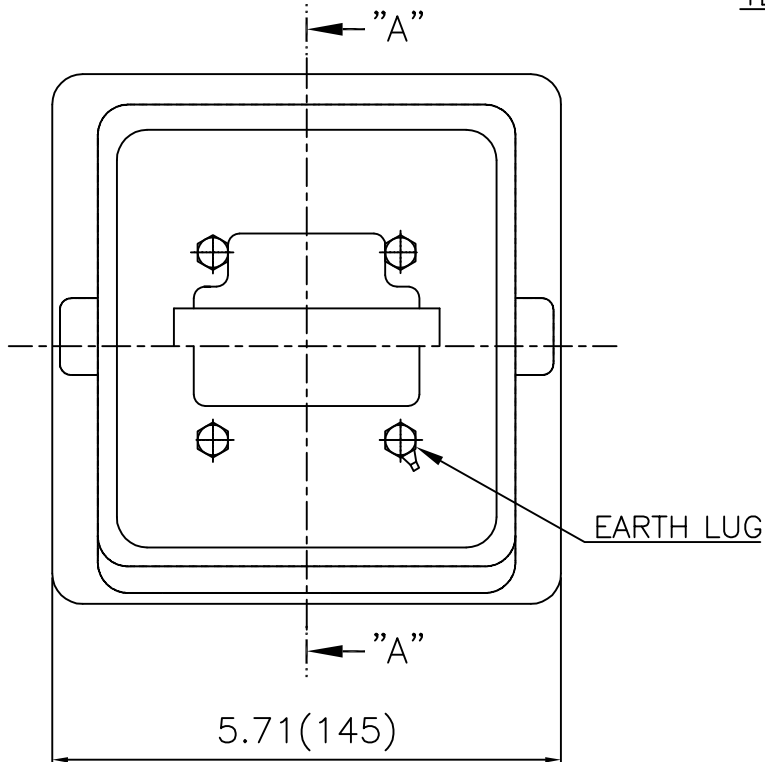
- 1.Dimension "D" tolerance : +0.00inch - 0.03inch
- 2.Dimension "U" tolerance : +0.000inch - 0.0005inch
- 3.Dimension "R" tolerance : +0.000inch - 0.015inch

APPD BY	S.Y.KIM	UNIT	INCH	SUBJECT	NEMA 143TC(KIT)	DWG SIZE
CHKD BY	R.G.KIM	SCALE	NONE			A4 (1:1)
CHKD BY	Y.H.BAE	PROJEC'N	3각법(3rd Angle)	TITLE OUTLINE		
DSND BY	H.K.LEE	DATE	2021-05-06			



REF. NO	350A8301AA	Sheet No.	of
DWG NO	LM-I1143C4PL001	Revision No.	0

**Cls. I&II, Div. 2
IEEE 841**



SEC. "A" - "A"

▽	50S
▽▽	12.5S
▽▽▽	3.2S
▽▽▽▽	0.4S

REV	DATE	CONTENTS	REVD BY	CHKD BY	CHKD BY	APPD BY

일반기공차		일반계공차	
1-4	±0.1	6-30	±0.5
4-18	±0.2	30-120	±0.8
18-63	±0.3	120-315	±1.2
63-250	±0.5	315-1000	±2.0
250-	±0.8	1000-	±3.0

Q'TY	DESCRIPTION	MATERIAL	DIMENSION	WEIGHT	PART NO.	REMARK	NO.
APPD BY	S.Y.KIM	UNIT	inch(mm)	SUBJECT	FR. 140 (CAST IRON)	DWG SIZE	A3 (1:1.5)
CHKD BY	I.K.KIM	SCALE	1/2	TITLE			
CHKD BY		PROJEC'N	3rd Angle	TERMINAL BOX ASS'Y			
DSND BY	E.J.KIM	DATE	2024-02-02	REF. NO		Sheet No.	of
		DWG NO	3M-249376	Revision No.	0		