

Customer :
Project Name :
Project No. :
Revision No. :

SPECIFICATION for INDUCTION MOTOR



0		For Bidding			
No.	DATE	DESCRIPTION	PREPARED BY	CHECKED BY	APPROVED BY



AC INDUCTION MOTOR DATA SHEET

Catalog No.	HSDE450-36-5009S-IBSHSP	Item No.	Rev. No. []
Project Name		Project No.	Quantity sets

GENERAL SPECIFICATION		PERFORMANCE DATA			
Frame Size	5009S	Rated Output	335 kW 450 HP		
Type	PJP	Number of Poles	2		
Enclosure(Protection)	Totally Enclosed / IP55	Rotor Type	Squirrel Cage		
Method of Cooling	IC411(FC)	Starting Method*	D.O.L		
Rated Frequency	60 Hz	Rated Voltage	575 V	460 V	230 V
Number of Phases	3	Current	Full Load	390.1 A	487.7 A
Insulation Class	F		Locked-rotor**	725 %	725 %
Temp. Rise at full load (by resistance method)		Efficiency			
at 1.0 S.F	80 deg. C	50% Load		92.8 %	
Motor Location	<input type="checkbox"/> Indoor <input type="checkbox"/> Outdoor	75% Load		94.8 %	
Altitude	Less than 1,000 meter	100% Load		95.8 %	
Relative Humidity	Less than 80 %	Power Factor(p.u)			
Ambient Temp.	40 deg. C (Max.)	50% Load		0.750	
Duty Type	Continuous (S1)	75% Load		0.850	
Service Factor	1.15	100% Load		0.900	
Mounting	B3	Speed at Full Load		3570 r.p.m	
Bearing	Type	Anti-Friction			
	DE/N-DE	6315C3 / 6315C3-INS.			
	Lubricant	Grease(Polyrex-EM)			
External Thrust	Not applicable				
Coupling Method	<input checked="" type="checkbox"/> Direct <input type="checkbox"/> V-belt	Torque			
Shaft Extension	Single	Full Load		661.1 lb.ft	
Terminal Box	Main	Locked-rotor**		130 %	
	Aux.	Breakdown**		230 %	
Box Location	Refer to Outline Drawing	Moment of Inertia (J)			
Application		Load(Max.)		349.000 lb.ft2	
Area classification	Hazardous	Motor		70.485 lb.ft2	
Type of Ex-Protection	Class I&II, Division 2	Sound Pressure Level (No-load & mean value at 1m from motor)			
Applicable Standard	NEMA MG1, CSA C390			87 dB(A)	
ACCESSORIES *. Space Heater : 1EA/Motor		SUBMITTAL DRAWING			
		Outline Dimension Drawing		Motor Weight(Approx.)	
		B3	LM-T0509B3CE001	3860 lb.	
		REMARK			
		1. Premium efficiency according to NEMA MG1 2. Inverter Duty @ 1.0 Service Factor & F Temperature rise -. 10:1 VT (20:1 VT at 50% load) -. 10:1 CT -. CHp up to 1.5 times base speed, NEMA MG1 Part31 3. NDE side : Insulated bearing 4. CSA Certification -. Class I, Division 2, Group A, B, C & D; Temp code : T3 -. Class II, Division 2 Group F & G; Temp code : T3 5. Shaft material : AISI4140 6. Uni-directional CCW viewed from drive end.			
		Date	DSND	CHKD	CHKD
2024-07-13	S.H. Lee	I.K. Kim	R.G. Kim	S.W. Kim	

ACCESSORIES	SUBMITTAL DRAWING
*. Space Heater : 1EA/Motor	Outline Dimension Drawing \ Motor Weight(Approx.)
	B3 LM-T0509B3CE001 3860 lb.

REMARK
1. Premium efficiency according to NEMA MG1 2. Inverter Duty @ 1.0 Service Factor & F Temperature rise -. 10:1 VT (20:1 VT at 50% load) -. 10:1 CT -. CHp up to 1.5 times base speed, NEMA MG1 Part31 3. NDE side : Insulated bearing 4. CSA Certification -. Class I, Division 2, Group A, B, C & D; Temp code : T3 -. Class II, Division 2 Group F & G; Temp code : T3 5. Shaft material : AISI4140 6. Uni-directional CCW viewed from drive end.
Date DSND CHKD CHKD APPD
2024-07-13 S.H. Lee I.K. Kim R.G. Kim S.W. Kim

[Note] Others not mentioned in this data sheet shall be in accordance with maker standard.
 Above technical data are only design values and shall be guaranteed with tolerance of applicable standard.
 Inspection and performance test shall be done according to maker standard, if not mentioned.
 * In case of Inverter-Fed Motor, performance data is based on sine wave tests. It may be different from test data of Inverter combined motor.
 ** Data is based on rated voltage & frequency and is expressed as a percentage of full-load value.

본 도면은 HD현대일렉트릭(주) 재산이며 허가없이 복사할 수 없음 (취급유의)





THIS DRAWING IS PROPRIETARY TO HYUNDAI ELECTRIC. NO PART OF THIS DRAWING MAYBE REPRODUCED WITHOUT THE PERMISSION OF HYUNDAI ELECTRIC.

1	2	3	4
REV	DATE	CONTENTS	REVD BY

4.72


CROWN TRITON

Premium Efficiency AC 3 Phase Motor







450HP 2P 460V		Cat. No. HSDE450-36-5009S-IBSHSP	
Model	LATER	INS. Class	F
Type	PJP	Duty	CONT
Frame	5009S	Encl.	TEFC
Bearing	Drive	6315C3	S.F.1.00 (10:1 C.T., 20:1 V.T., NEMA-MG1 Part31)
	Opp.	6315C3-INS.	
Usable at			
CSA Certified for	CLASS I, Div. 2, Gr. A, B, C & D	CLASS II, Div. 2, Gr. F & G	Temp. Code (sine wave)
	CLASS I, Zone 2, Gr. IIA, IIB, & IIC		Frame L440FR - 500FR
			Amb. 40°C T3 (200°C)
No.	-	Date	-
4M-136053		Weight 3860 lb	

MARINE DUTY IEEE45



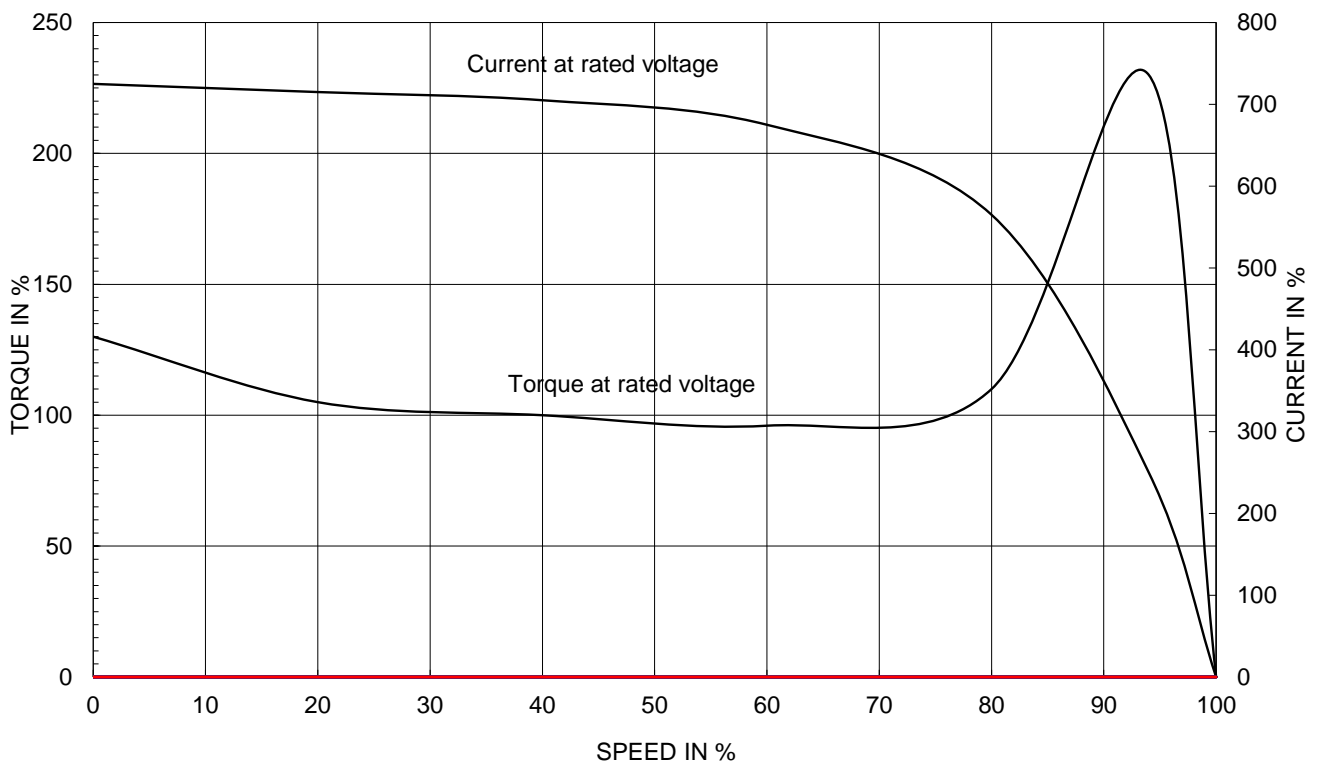
2.36

APPD BY	S.Y.KIM	UNIT	INCH	SUBJECT	CSA Class I, Division2 Severe Duty (HSDE ,L449-500)	DWG SIZE
CHKD BY	I.K.KIM	SCALE	NONE			A4 (1:1)
CHKD BY	R.G.KIM	PROJEC'N	3rd Angle	TITLE <h2 style="margin: 0;">NAMEPLATE DRAWING</h2>		
DSND BY	S.H.LEE	DATE	2024.06.07			
				REF. NO	4M-136053	Sheet No. of
				DWG NO	NP-HSDE450-36-5009S-IBSHSP	Revision No. 0

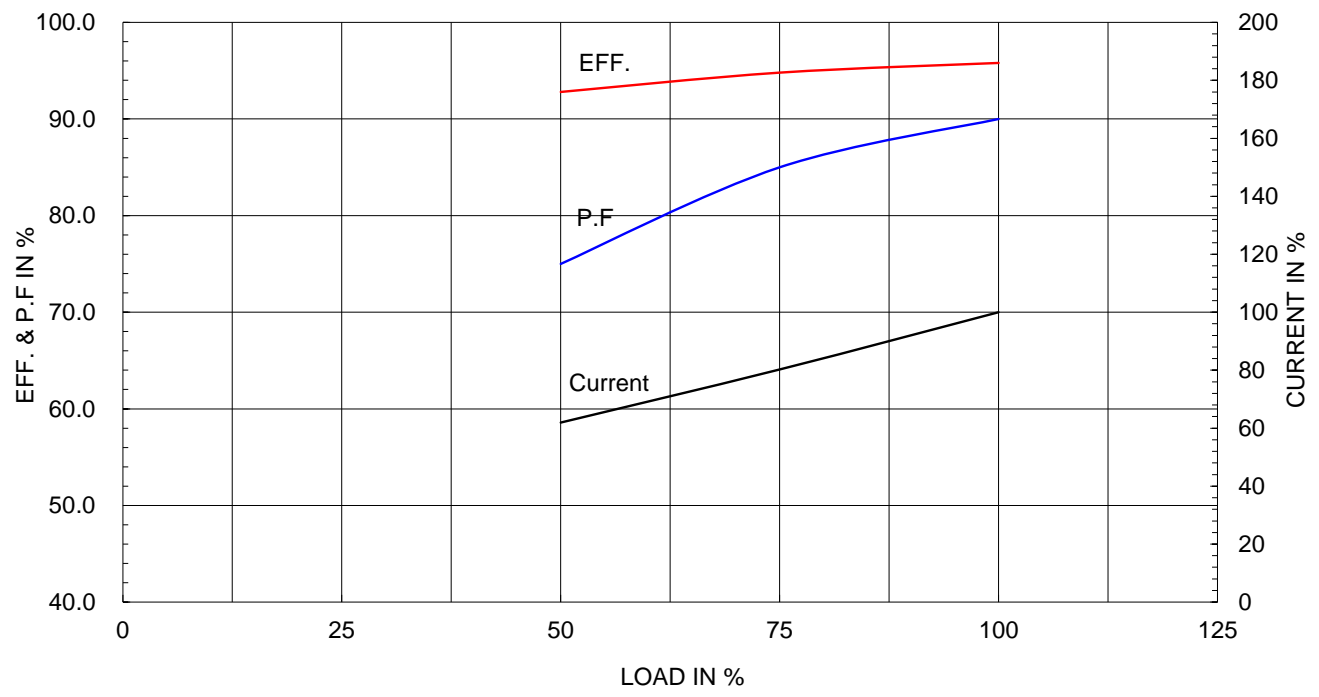
Type :	PJP
Full Load Torque :	661.1 lb.ft
Load moment of Inertia (J) :	349.000 lb.ft2
Motor moment of Inertia (J) :	70.485 lb.ft2

335kW	450HP	2 P	60 Hz
Speed at Full Load :			3570 RPM
Rated Voltage	575V	460V	230V
Full Load Current	390.1A	487.7A	975.3A

SPEED VS TORQUE & CURRENT CURVE



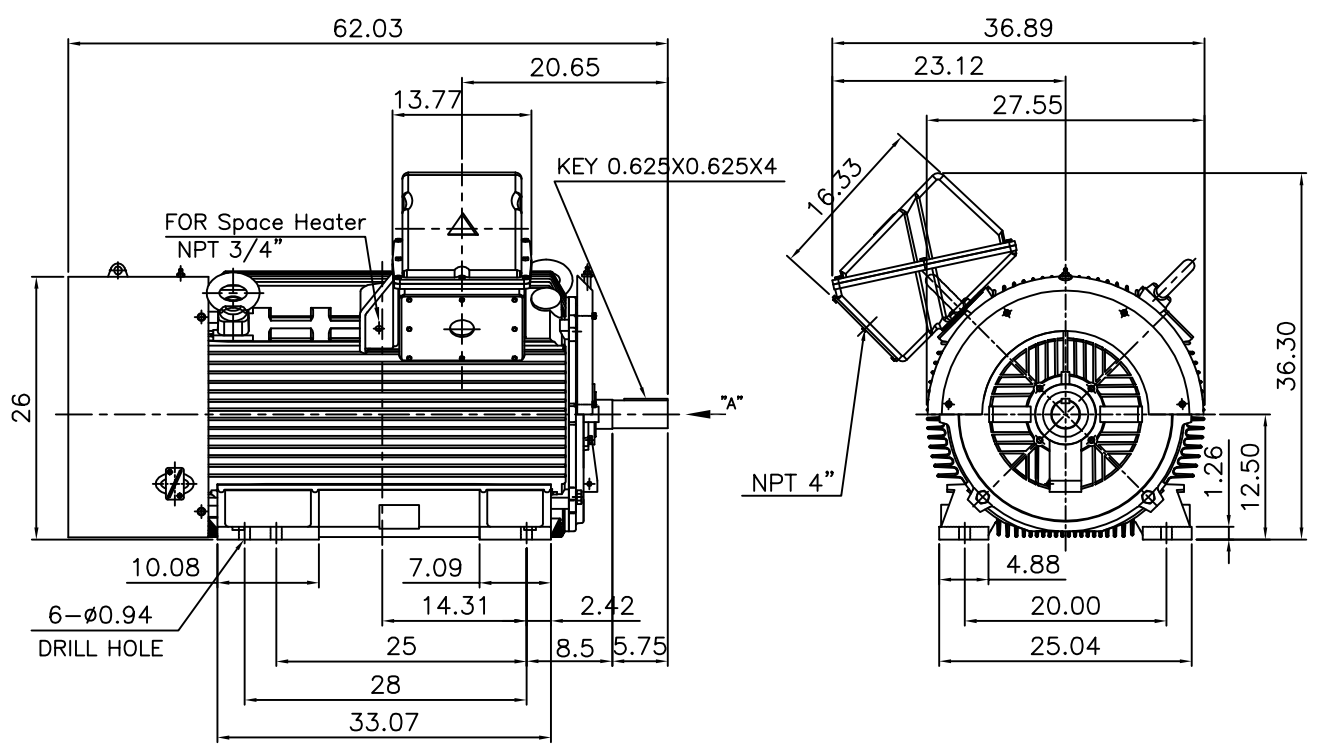
OUTPUT VS EFF., P.F & CURRENT CURVE



본 도면은 HD현대일렉트릭(주) 재산이며 허가없이 복사할 수 없음 (취급주의)

THIS DRAWING IS PROPRIETARY TO HYUNDAI ELECTRIC. NO PART OF THIS DRAWING MAYBE REPRODUCED WITHOUT THE PERMISSION OF HYUNDAI ELECTRIC.

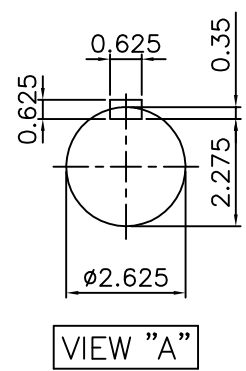
1	2	3	4
▽	50S	REV	DATE
▽▽	12.5S		
▽▽▽	3.2S		
▽▽▽▽	0.4S		



NOTE

1.TOLERANCE :

CENTER HEIGHT	12.5	+0.000	-0.060
SHAFT DIAMETER	ø2.625	+0.000	-0.001
KEYWAY WIDTH	0.625	+0.002	-0.000



APPD BY	S.Y.KIM	UNIT	INCH	SUBJECT	Fr.5008/5009TS	DWG SIZE
CHKD BY	O.J.KIM	SCALE	1/19			A4 (1:19)
CHKD BY	R.G.KIM	PROJEC'N	3각법 (3rd Angle)	TITLE	CAST IRON T-BOX	
DSND BY	H.K.LEE	DATE	2021-04-27	OUTLINE		
				REF. NO		Sheet No. of
				DWG NO	LM-T0509B3CE001	Revision No. 0

**Cls. I&II, Div. 2
IEEE 841**

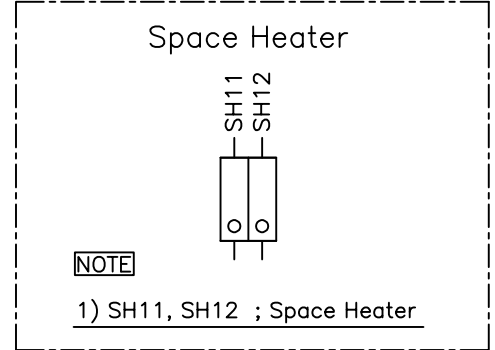
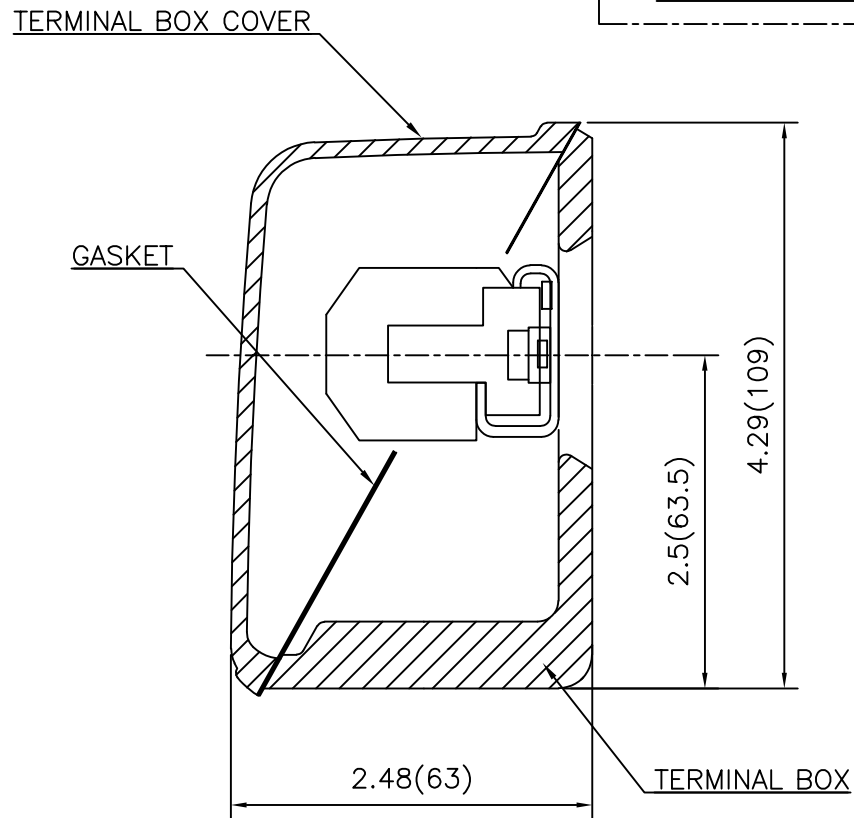
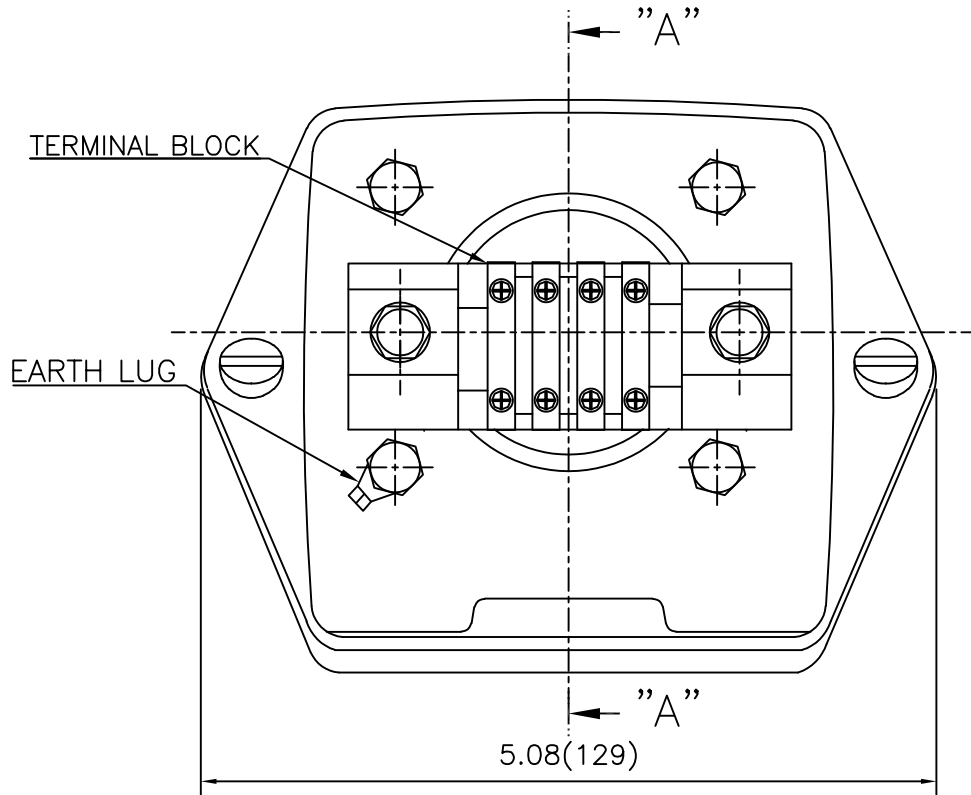


SEC. "A" - "A"

REV	DATE	CONTENTS	REVD BY	CHKD BY	CHKD BY	APPD BY

APPD BY	S.Y.KIM	UNIT	inch(mm)	SUBJECT	FR. L440 (CAST IRON)	DWG SIZE
CHKD BY		SCALE	1/3.5	TITLE	MAIN TERMINAL BOX ASS'Y	A3 (1:3.5)
CHKD BY	R.G.KIM	PROJEC'N	3rd Angle			
DSND BY	최승희	DATE	2023-10-19	REF. NO		Sheet No. of
				DWG NO	3M-248452	Revision No. 0

**Cls. I&II, Div. 2
IEEE 841**



REV	DATE	CONTENTS	REVD BY	CHKD BY	CHKD BY	APPD BY

APPD BY	S.Y.KIM	UNIT	inch(mm)	SUBJECT	FR.180 (CAST IRON)	DWG SIZE	A3 (1:1.1)
CHKD BY		SCALE	1/1	TITLE	SUB. TERMINAL BOX ASS'Y		
CHKD BY	R.G.KIM	PROJEC'N	3rd Angle	REF. NO		Sheet No.	of
DSND BY	배승희	DATE	2024-01-18	DWG NO	3M-165277	Revision No.	0

