

Customer :
Project Name :
Project No. :
Revision No. :

SPECIFICATION for INDUCTION MOTOR



| 0 | | For Bidding | | | |
|-----|------|-------------|-------------|------------|-------------|
| No. | DATE | DESCRIPTION | PREPARED BY | CHECKED BY | APPROVED BY |



AC INDUCTION MOTOR DATA SHEET

| | | | |
|--------------|-------------------------------|-------------|------------------------------------|
| Catalog No. | HSDE400-36-L449TSC-IBBRSRSHSP | Item No. | Rev. No. [] |
| Project Name | | Project No. | Quantity sets |

| GENERAL SPECIFICATION | | PERFORMANCE DATA | | | |
|--|--|--|--|----------------------|---------|
| Frame Size | L449TSC | Rated Output | 300 kW 400 HP | | |
| Type | PJP | Number of Poles | 2 | | |
| Enclosure(Protection) | Totally Enclosed / IP55 | Rotor Type | Squirrel Cage | | |
| Method of Cooling | IC411(FC) | Starting Method* | D.O.L | | |
| Rated Frequency | 60 Hz | Rated Voltage | 575 V | 460 V | 230 V |
| Number of Phases | 3 | Current | Full Load | 349.4 A | 436.7 A |
| Insulation Class | F | | Locked-rotor** | 680 % | 680 % |
| Temp. Rise at full load (by resistance method) | | Efficiency | | | |
| at 1.0 S.F | 80 deg. C | 50% Load | | 92.8 % | |
| Motor Location | <input type="checkbox"/> Indoor <input type="checkbox"/> Outdoor | 75% Load | | 94.8 % | |
| Altitude | Less than 1,000 meter | 100% Load | | 95.8 % | |
| Relative Humidity | Less than 80 % | Power Factor(p.u) | | | |
| Ambient Temp. | 40 deg. C (Max.) | 50% Load | | 0.750 | |
| Duty Type | Continuous (S1) | 75% Load | | 0.850 | |
| Service Factor | 1.15 | 100% Load | | 0.900 | |
| Mounting | B35 | Speed at Full Load | 3570 r.p.m | | |
| Bearing | Type | Anti-Friction | Torque | | |
| | DE/N-DE | 6315C3 / 6315C3-INS. | Full Load | 592.0 lb.ft | |
| | Lubricant | Grease(Polyrex-EM) | Locked-rotor** | 145 % | |
| External Thrust | Not applicable | Breakdown** | 240 % | | |
| Coupling Method | <input checked="" type="checkbox"/> Direct <input type="checkbox"/> V-belt | Moment of Inertia (J) | | | |
| Shaft Extension | Single | Load(Max.) | 315.000 lb.ft2 | | |
| Terminal Box | Main | Cast Iron | Motor | 60.755 lb.ft2 | |
| | Aux. | Yes | Sound Pressure Level (No-load & mean value at 1m from motor) | | |
| Location | Refer to Outline Drawing | 87 dB(A) | | | |
| Application | | Vibration | | | |
| Area classification | Hazardous | 3.8 mm/sec (peak) | | | |
| Type of Ex-Protection | Class I&II, Division 2 | Permissible number of consecutive starts | Cold | 2 times | |
| Applicable Standard | NEMA MG1, CSA C390 | Hot | 1 time | | |
| | | Paint | Munsell No. | 4.0PB5.4/5.5(VL-451) | |

| ACCESSORIES |
|---|
| *. B.T.D.(Pt 100 Ω at 0°C,Single) : 2EA/Motor |
| *. W.T.D.(Pt 100 Ω at 0°C) : 2EA/Ph. |
| *. Space Heater : 1EA/Motor |

| SPARE PARTS |
|------------------------------------|
| 1. Spare Axial Fan (C.W Direction) |

| SUBMITTAL DRAWING | | |
|---------------------------|-----------------------|----------|
| Outline Dimension Drawing | Motor Weight(Approx.) | |
| B35 | LM-T044XC4C7001 | 3920 lb. |
| | | |
| | | |

| REMARK |
|--|
| 1. Premium efficiency according to NEMA MG1 |
| 2. Inverter Duty @ 1.0 Service Factor & F Temperature rise |
| -. 10:1 VT (20:1 VT at 50% load) |
| -. 10:1 CT |
| -. CHp up to 1.5 times base speed, NEMA MG1 Part31 |
| 3. NDE side : Insulated bearing |
| 4. CSA Certification |
| -. Class I, Division 2, Group A, B, C & D; Temp code : T3 |
| -. Class II, Division 2 Group F & G; Temp code : T3 |
| 5. Uni-directional CCW viewed from drive end. |

| Date | DSND | CHKD | CHKD | APPD |
|------------|----------|----------|----------|----------|
| 2024-07-13 | S.H. Lee | I.K. Kim | R.G. Kim | S.W. Kim |




[Note] Others not mentioned in this data sheet shall be in accordance with maker standard.
 Above technical data are only design values and shall be guaranteed with tolerance of applicable standard.
 Inspection and performance test shall be done according to maker standard, if not mentioned.
 * In case of Inverter-Fed Motor, performance data is based on sine wave tests. It may be different from test data of Inverter combined motor.
 ** Data is based on rated voltage & frequency and is expressed as a percentage of full-load value.

| 1 | 2 | 3 | 4 |
|-----|------|----------|---------|
| REV | DATE | CONTENTS | REVD BY |
| | | | |
| | | | |
| | | | |

4.72

CROWN TRITON


Premium Efficiency AC 3 Phase Motor


| | | | |
|-------------------|--------------------------------------|--|------------------------|
| 400HP 2P 460V | | Cat. No. HSDE400-36-L449TSC-IBBRSRSHSP | |
| Model | LATER | INS. Class | F |
| Type | PJP | Duty | CONT |
| Frame | L449TSC | Encl. | TEFC |
| Bearing | Drive | 6315C3 | S.F. 1.15 |
| | Opp. | 6315C3-INS. | RPM 3570 |
| Usable at | | NEMA Nom. Eff. 95.8% | |
| CSA Certified for | CLASS I, Div. 2, Gr. A, B, C & D | CLASS II, Div. 2, Gr. F & G | Temp. Code (sine wave) |
| | CLASS I, Zone 2, Gr. IIA, IIB, & IIC | | Frame L440FR - 500FR |
| No. | - | Date | - |
| 4M-136053 | | Weight 3920 lb | |

MARINE DUTY IEEE45
Made in Korea H1

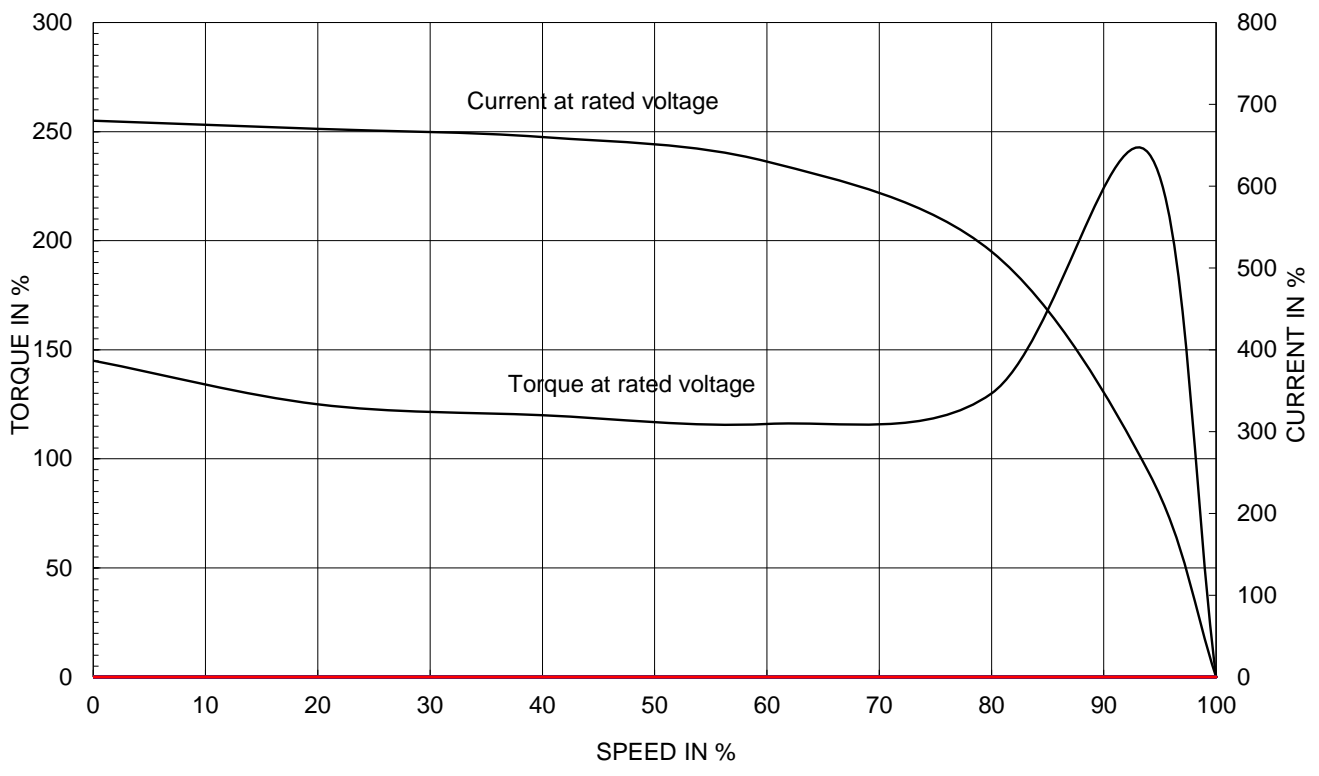

2.36

| | | | | | | |
|---|---------|----------|------------|-----------------------------------|---|-----------------------|
| APPD BY | S.Y.KIM | UNIT | INCH | SUBJECT | CSA Class I, Division2 Severe Duty (HSDE ,L449-500) | DWG SIZE |
| CHKD BY | I.K.KIM | SCALE | NONE | | | A4 (1:1) |
| CHKD BY | R.G.KIM | PROJEC'N | 3rd Angle | TITLE NAMEPLATE DRAWING | | |
| DSND BY | S.H.LEE | DATE | 2024.06.07 | | | |
|  | | | | REF. NO | 4M-136053 | Sheet No. of |
| | | | | DWG NO | NP-HSDE400-36-L449TSC-IBBRSRSHSP | Revision No. 0 |

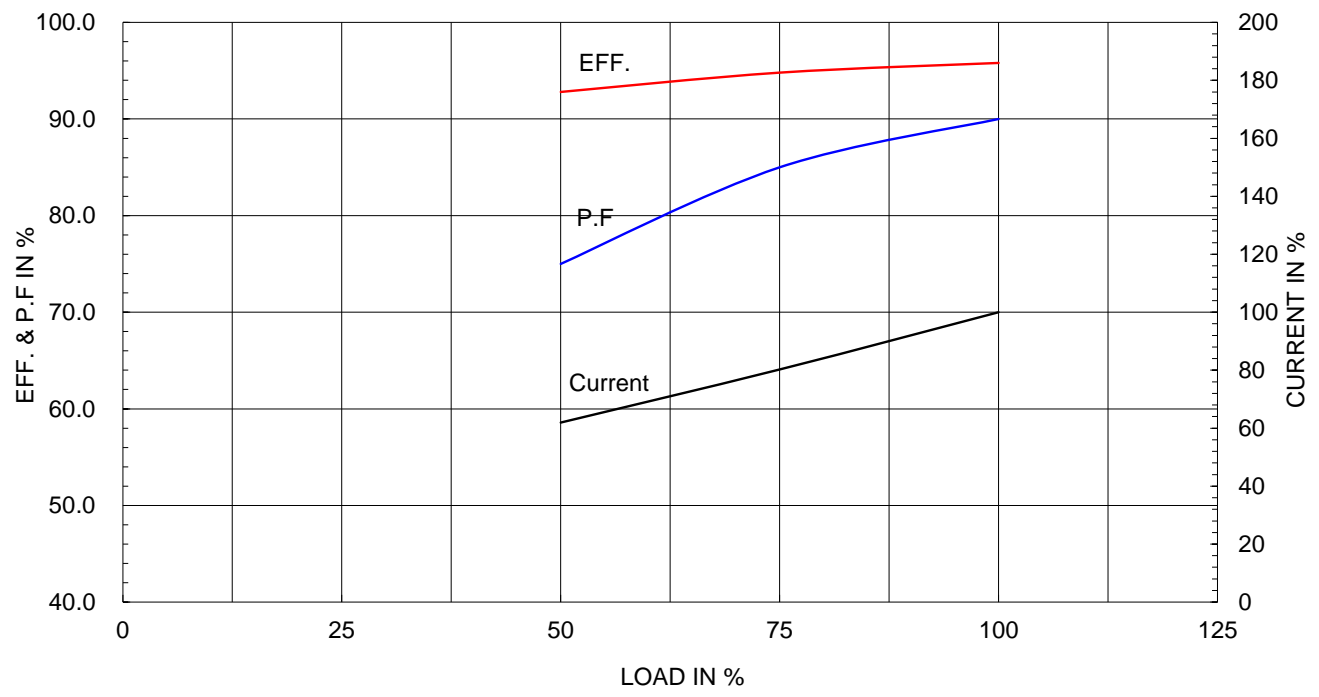
| | |
|-------------------------------|----------------|
| Type : | PJP |
| Full Load Torque : | 592.0 lb.ft |
| Load moment of Inertia (J) : | 315.000 lb.ft2 |
| Motor moment of Inertia (J) : | 60.755 lb.ft2 |

| | | | |
|----------------------|--------|--------|----------|
| 300kW | 400HP | 2 P | 60 Hz |
| Speed at Full Load : | | | 3570 RPM |
| Rated Voltage | 575V | 460V | 230V |
| Full Load Current | 349.4A | 436.7A | 873.4A |

SPEED VS TORQUE & CURRENT CURVE



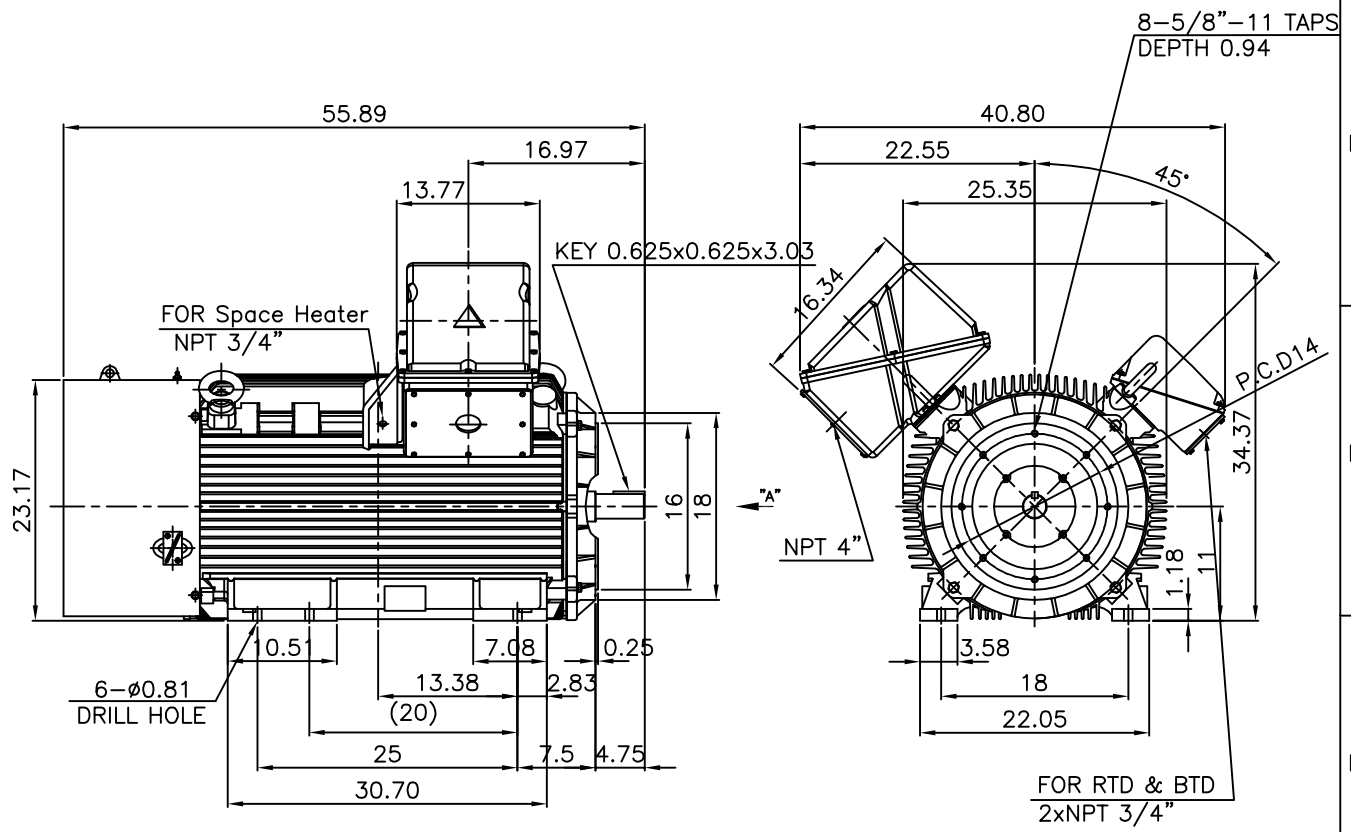
OUTPUT VS EFF., P.F & CURRENT CURVE



본 도면은 HD현대일렉트릭(주) 재산이며 허가없이 복사할 수 없음 (취급유의)

THIS DRAWING IS PROPRIETARY TO HYUNDAI ELECTRIC. NO PART OF THIS DRAWING MAYBE REPRODUCED WITHOUT THE PERMISSION OF HYUNDAI ELECTRIC.

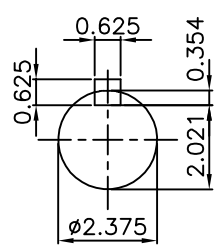
| | | | | | | | | |
|------|-------|-----|------|----------|---------|---------|---------|---------|
| ▽ | 50S | REV | DATE | CONTENTS | REVD BY | CHKD BY | CHKD BY | APPD BY |
| ▽▽ | 12.5S | | | | | | | |
| ▽▽▽ | 3.2S | | | | | | | |
| ▽▽▽▽ | 0.4S | | | | | | | |



NOTE

1.TOLERANCE :

| | | | |
|-----------------|--------|--------|--------|
| CENTER HEIGHT | 11 | +0.000 | -0.060 |
| RABBET DIAMETER | ø16 | 0 | -0.005 |
| SHAFT DIAMETER | ø2.375 | +0.000 | -0.001 |
| KEYWAY WIDTH | 0.625 | +0.002 | -0.000 |



| | | | | | | | |
|---------|---------|----------|-----------------|---------|---------------------------------|----------|-----------|
| APPD BY | S.Y.KIM | UNIT | INCH | SUBJECT | Fr.L449TSC | DWG SIZE | A4 (1:18) |
| CHKD BY | O.J.KIM | SCALE | 1/18 | TITLE | NEMA STD SHAFT(AISI 1045 SHAFT) | | |
| CHKD BY | R.G.KIM | PROJEC'N | 3각법 (3rd Angle) | OUTLINE | | | |
| DSND BY | H.K.LEE | DATE | 2021-04-27 | | | | |



| | | | |
|---------|-----------------|--------------|----|
| REF. NO | | Sheet No. | of |
| DWG NO | LM-T044XC4C7001 | Revision No. | 0 |

**Cls. I&II, Div. 2
IEEE 841**



SEC. "A" - "A"

| REV | DATE | CONTENTS | REVD BY | CHKD BY | CHKD BY | APPD BY |
|-----|------|----------|---------|---------|---------|---------|
| | | | | | | |
| | | | | | | |

| | | | | | | |
|---------|---------|----------|------------|---------|-------------------------|----------------|
| APPD BY | S.Y.KIM | UNIT | inch(mm) | SUBJECT | FR. L440 (CAST IRON) | DWG SIZE |
| CHKD BY | | SCALE | 1/3.5 | TITLE | MAIN TERMINAL BOX ASS'Y | A3 (1:3.5) |
| CHKD BY | R.G.KIM | PROJEC'N | 3rd Angle | | | |
| DSND BY | 최승희 | DATE | 2023-10-19 | | | |
| | | | | REF. NO | | Sheet No. of |
| | | | | DWG NO | 3M-248452 | Revision No. 0 |

Cls. I&II, Div. 2 IEEE 841

본 도면은 HD현대일렉트릭(주) 재산이며 허가없이 복사할 수 없음 (취급주의)

THIS DRAWING IS PROPRIETARY TO HYUNDAI ELECTRIC. NO PART OF THIS DRAWING MAY BE REPRODUCED WITHOUT THE PERMISSION OF HYUNDAI ELECTRIC.



| REV | DATE | CONTENTS | REVD BY | CHKD BY | CHKD BY | APPD BY |
|-----|------|----------|---------|---------|---------|---------|
| | | | | | | |

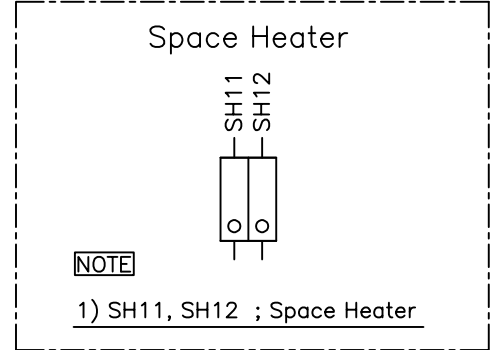
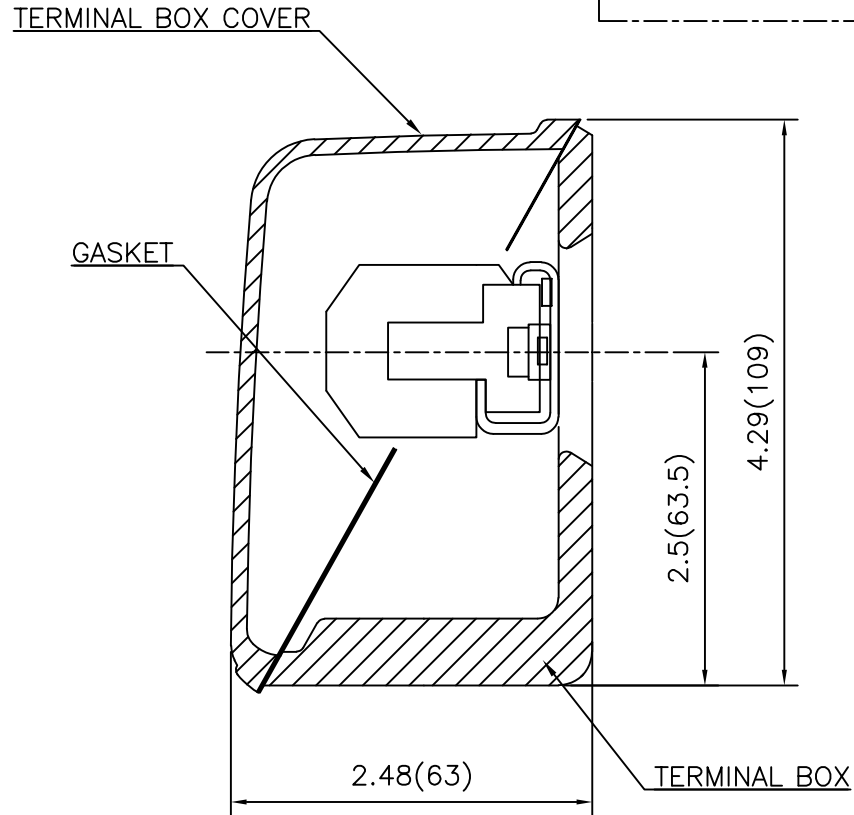
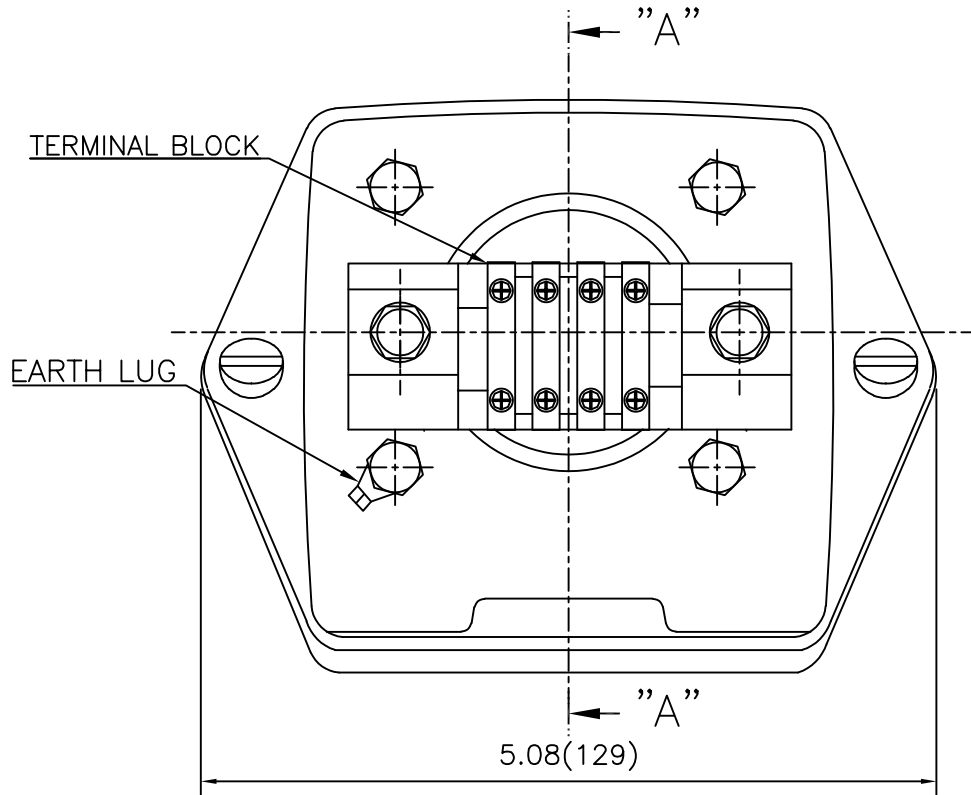
| | | | | | | | | |
|---------|---------|----------|------------|---------|-------------------------|-----------|--------------|----|
| APPD BY | S.Y.KIM | UNIT | inch(mm) | SUBJECT | FR.360 (CAST IRON) | DWG SIZE | A3 (1:2.2) | |
| CHKD BY | | SCALE | 1/1 | TITLE | AUX. TERMINAL BOX ASS'Y | REF. NO | | |
| CHKD BY | R.G.KIM | PROJEC'N | 3rd Angle | DWG NO | | 3M-165277 | Sheet No. | of |
| DSND BY | 박승희 | DATE | 2024-01-18 | | | DWG NO | 3M-165277 | |
| | | | | | | | Revision No. | 0 |



THIS DRAWING IS PROPRIETARY TO HYUNDAI ELECTRIC. NO PART OF THIS DRAWING MAYBE REPRODUCED WITHOUT THE PERMISSION OF HYUNDAI ELECTRIC.
 본 도면은 HD현대일렉트릭(주) 재산이며 허가없이 복사할 수 없음 (취급주의)

Cls. I&II, Div. 2

IEEE 841



| REV | DATE | CONTENTS | REVD BY | CHKD BY | CHKD BY | APPD BY |
|-----|------|----------|---------|---------|---------|---------|
| | | | | | | |
| | | | | | | |

| | | | | | | |
|---------|---------|----------|------------|---------|-------------------------|----------------|
| APPD BY | S.Y.KIM | UNIT | inch(mm) | SUBJECT | FR.180 (CAST IRON) | DWG SIZE |
| CHKD BY | | SCALE | 1/1 | TITLE | SUB. TERMINAL BOX ASS'Y | A3 (1:1.1) |
| CHKD BY | R.G.KIM | PROJEC'N | 3rd Angle | | | |
| DSND BY | 배승희 | DATE | 2024-01-18 | | | |
| | | | | REF. NO | | Sheet No. of |
| | | | | DWG NO | 3M-165277 | Revision No. 0 |