

Customer :
Project Name :
Project No. :
Revision No. :

SPECIFICATION for INDUCTION MOTOR



0		For Bidding			
No.	DATE	DESCRIPTION	PREPARED BY	CHECKED BY	APPROVED BY

AC INDUCTION MOTOR DATA SHEET

Catalog No.	HSDE350-18-L449T-IBSH	Item No.		Rev. No.	[]
Project Name		Project No.		Quantity	sets

GENERAL SPECIFICATION			PERFORMANCE DATA					
Frame Size	L449T		Rated Output	260 kW 350 HP				
Type	PJP		Number of Poles	4				
Enclosure(Protection)	Totally Enclosed	/ IP55	Rotor Type	Squirrel Cage				
Method of Cooling	IC411(FC)		Starting Method*	D.O.L				
Rated Frequency	60 Hz		Rated Voltage	575 V	460 V	230 V		
Number of Phases	3		Current	Full Load	308.4 A	385.5 A 771.0 A		
Insulation Class	F			Locked-rotor**	715 %	715 % 715 %		
Temp. Rise at full load (by resistance method)			Efficiency					
at 1.0 S.F			80 deg. C					
Motor Location	<input type="checkbox"/> Indoor <input type="checkbox"/> Outdoor		50% Load		93.2 %			
Altitude	Less than 1,000 meter		75% Load		95.2 %			
Relative Humidity	Less than 80 %		100% Load		96.2 %			
Ambient Temp.	40 deg. C (Max.)		Power Factor(p.u)					
Duty Type	Continuous (S1)		50% Load		0.730			
Service Factor	1.15		75% Load		0.830			
Mounting	B3		100% Load		0.880			
Bearing	Type	Anti-Friction	Speed at Full Load					
	DE/N-DE	NU322 / 6318C3-INS.	1785 r.p.m					
	Lubricant	Grease(Polyrex-EM)	Torque					
External Thrust	Not applicable		Full Load		1,026.2 lb.ft			
Coupling Method	<input type="checkbox"/> Direct <input type="checkbox"/> V-belt		Locked-rotor**		135 %			
Shaft Extension	Single		Breakdown**		225 %			
Terminal	Main	Cast Iron	Moment of Inertia (J)					
Box	Aux.	Yes	Load(Max.)		1,370.000 lb.ft2			
	Location	Refer to Outline Drawing	Motor		118.425 lb.ft2			
Application			Sound Pressure Level (No-load & mean value at 1m from motor)					
Area classification	Hazardous		85 dB(A)					
Type of Ex-Protection	Class I&II, Division 2		Vibration					
Applicable Standard	NEMA MG1, CSA C390		3.8 mm/sec (peak)					
ACCESSORIES *. Space Heater : 1EA/Motor			SUBMITTAL DRAWING					
			Outline Dimension Drawing		Motor Weight(Approx.)			
			B3		LM-T044XB3UE001		3090 lb.	
SPARE PARTS			REMARK					
			1. Premium efficiency according to NEMA MG1 2. Inverter Duty @ 1.0 Service Factor & F Temperature rise -. 10:1 VT (20:1 VT at 50% load) -. 10:1 CT -. CHp up to 1.5 times base speed, NEMA MG1 Part31 3. NDE side : Insulated bearing 4. CSA Certification -. Class I, Division 2, Group A, B, C & D; Temp code : T3 -. Class II, Division 2 Group F & G; Temp code : T3 5. Shaft material : AISI4140					
			Date		DSND		CHKD	
			2024-07-13		S.H. Lee		I.K. Kim R.G. Kim APPD	
							S.W. Kim	





[Note] Others not mentioned in this data sheet shall be in accordance with maker standard.
 Above technical data are only design values and shall be guaranteed with tolerance of applicable standard.
 Inspection and performance test shall be done according to maker standard, if not mentioned.
 * In case of Inverter-Fed Motor, performance data is based on sine wave tests. It may be different from test data of Inverter combined motor.
 ** Data is based on rated voltage & frequency and is expressed as a percentage of full-load value.


1	2	3	4
REV	DATE	CONTENTS	REVD BY

4.72


CROWN TRITON

Premium Efficiency AC 3 Phase Motor

350HP 4P 460V		Cat. No. HSDE350-18-L449T-IBSH	
Model	LATER	INS. Class	F
Type	PJP	Duty	CONT
Frame	L449T	Encl.	TEFC
Bearing	Drive	NU322	S.F.1.00 (10:1 C.T., 20:1 V.T., NEMA-MG1 Part31)
	Opp.	6318C3-INS.	
Usable at			
CSA Certified for	CLASS I, Div. 2, Gr. A, B, C & D		Temp. Code (sine wave)
	CLASS I, Zone 2, Gr. IIA, IIB, & IIC		
	CLASS II, Div. 2, Gr. F & G		
No.	-	Date	-
4M-136053		Made in Korea H1	
MARINE DUTY IEEE45			

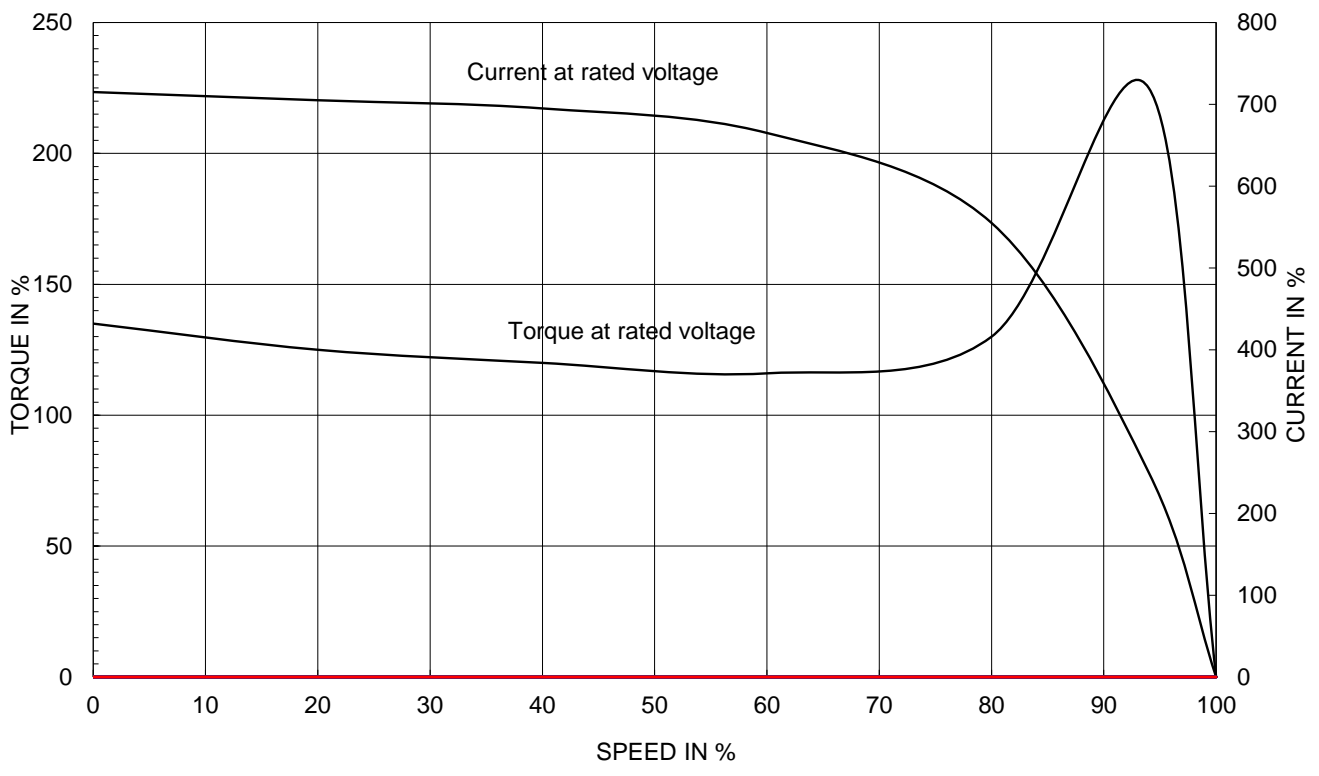
2.36

APPD BY	S.Y.KIM	UNIT	INCH	SUBJECT	CSA Class I, Division2 Severe Duty (HSDE ,L449-500)	DWG SIZE
CHKD BY	I.K.KIM	SCALE	NONE			A4 (1:1)
CHKD BY	R.G.KIM	PROJEC'N	3rd Angle	TITLE NAMEPLATE DRAWING		
DSND BY	S.H.LEE	DATE	2024.06.07			
				REF. NO	4M-136053	Sheet No. of
				DWG NO	NP-HSDE350-18-L449T-IBSH	Revision No. 0

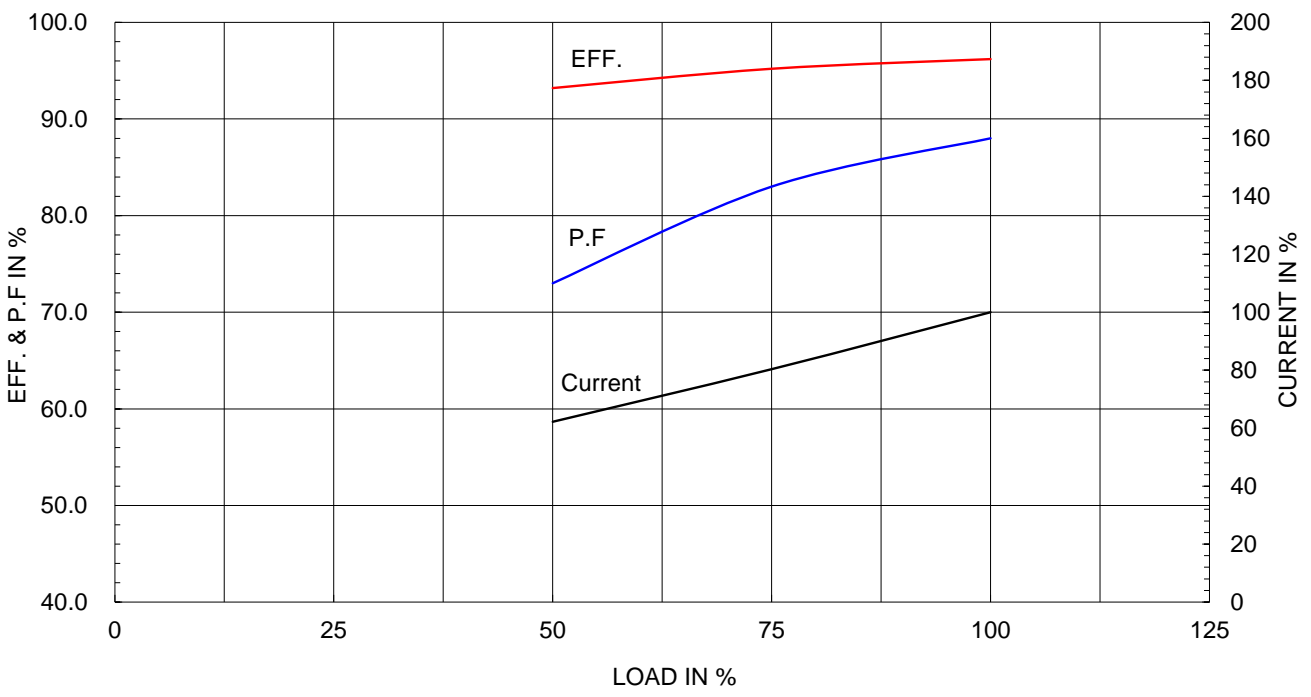
Type :	PJP
Full Load Torque :	1026.2 lb.ft
Load moment of Inertia (J) :	1370.000 lb.ft2
Motor moment of Inertia (J) :	118.425 lb.ft2

260kW	350HP	4 P	60 Hz
Speed at Full Load :			1785 RPM
Rated Voltage	575V	460V	230V
Full Load Current	308.4A	385.5A	771.0A

SPEED VS TORQUE & CURRENT CURVE



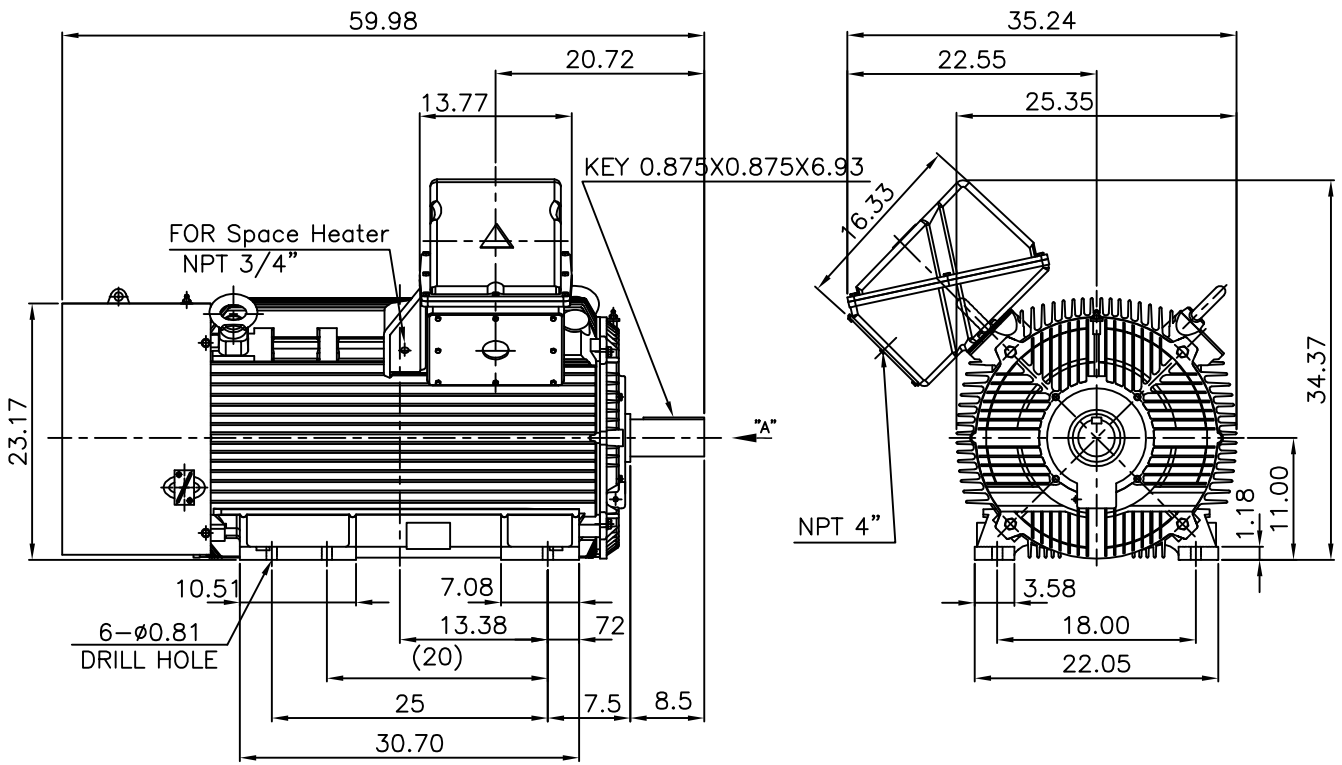
OUTPUT VS EFF., P.F & CURRENT CURVE



본 도면은 HD현대일렉트릭(주) 재산이며 허가없이 복사할 수 없음 (취급주의)

THIS DRAWING IS PROPRIETARY TO HYUNDAI ELECTRIC. NO PART OF THIS DRAWING MAYBE REPRODUCED WITHOUT THE PERMISSION OF HYUNDAI ELECTRIC.

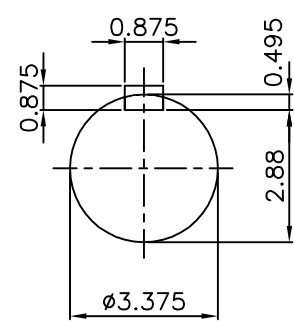
▽	50S	REV	DATE	CONTENTS	REVD BY	CHKD BY	CHKD BY	APPD BY
▽▽	12.5S							
▽▽▽	3.2S							
▽▽▽▽	0.4S							



NOTE

1.TOLERANCE :

CENTER HEIGHT	11	+0.000	-0.060
SHAFT DIAMETER	Ø3.375	+0.000	-0.001
KEYWAY WIDTH	0.875	+0.003	-0.000



VIEW "A"

APPD BY	S.Y.KIM	UNIT	INCH	SUBJECT	Fr.L449T	DWG SIZE	A4 (1:18)
CHKD BY	O.J.KIM	SCALE	1/18			TITLE	NEMA STD SHAFT(4140 SHAFT)
CHKD BY	R.G.KIM	PROJEC'N	3각법 (3rd Angle)	OUTLINE			Sheet No. of
DSND BY	H.K.LEE	DATE	2021-04-27				REF. NO
				DWG NO	LM-T044XB3UE001		

**Cls. I&II, Div. 2
IEEE 841**

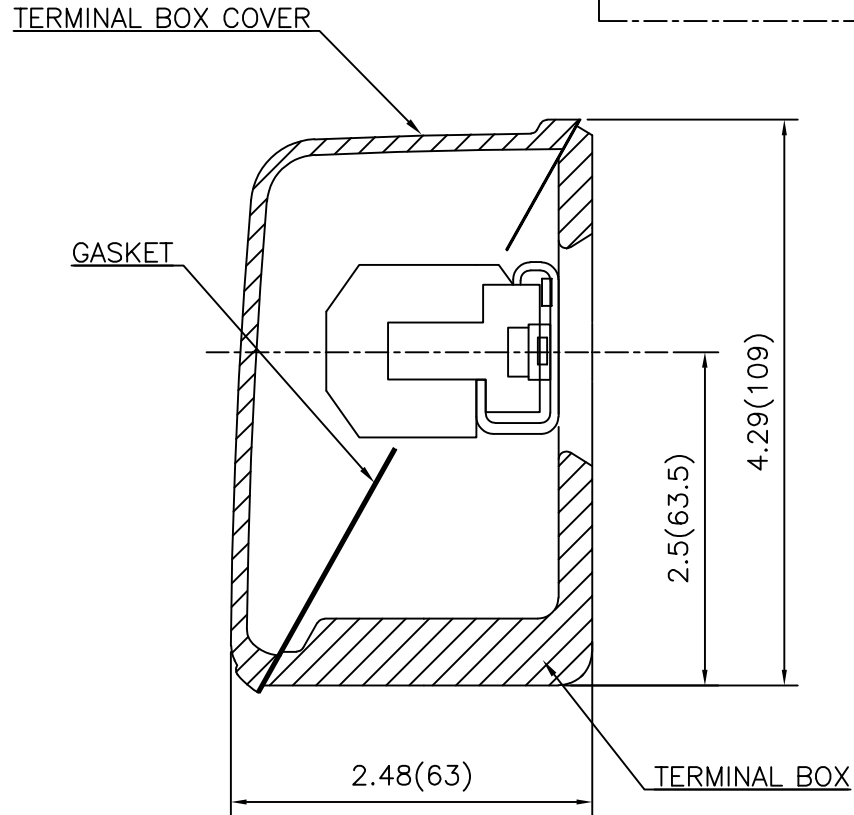
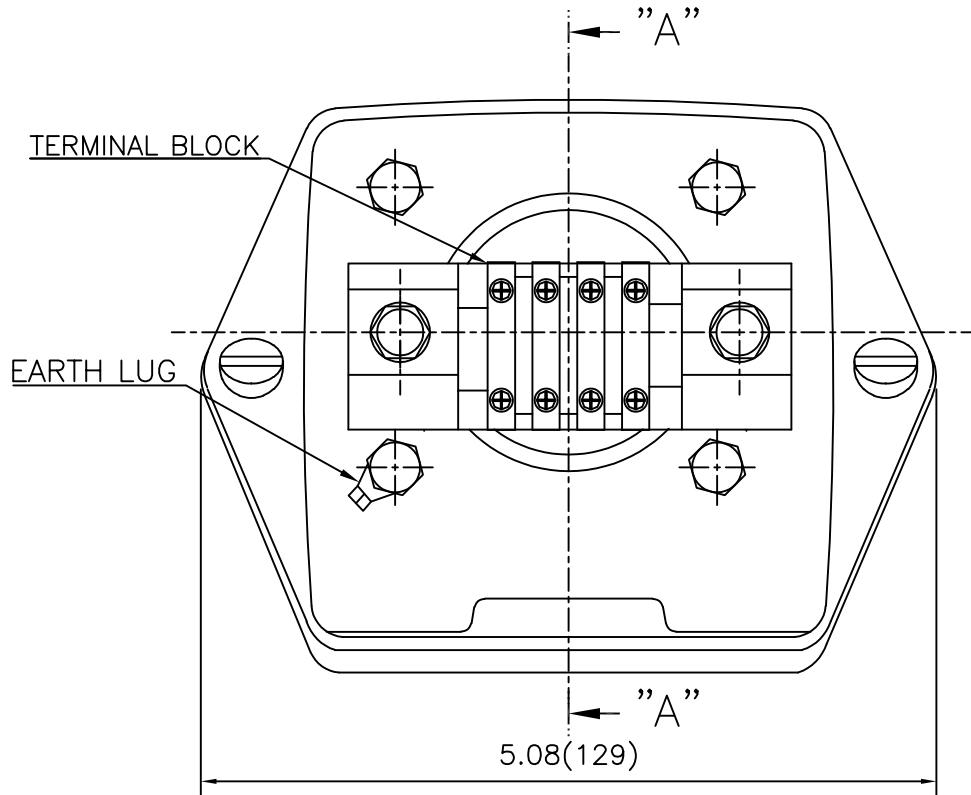


SEC. "A" - "A"

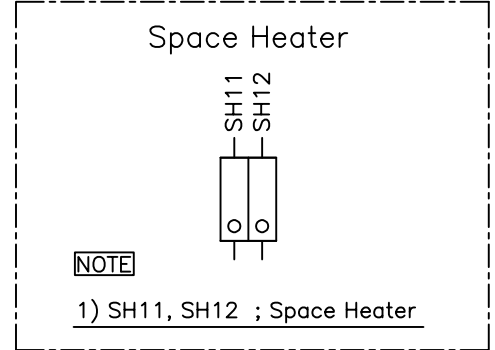
REV	DATE	CONTENTS	REVD BY	CHKD BY	CHKD BY	APPD BY

APPD BY	S.Y.KIM	UNIT	inch(mm)	SUBJECT	FR. L440 (CAST IRON)	DWG SIZE
CHKD BY		SCALE	1/3.5	TITLE	MAIN TERMINAL BOX ASS'Y	A3 (1:3.5)
CHKD BY	R.G.KIM	PROJEC'N	3rd Angle			
DSND BY	최승희	DATE	2023-10-19			
				REF. NO		Sheet No. of
				DWG NO	3M-248452	Revision No. 0

**Cls. I&II, Div. 2
IEEE 841**



SEC. "A" - "A"



REV	DATE	CONTENTS	REVD BY	CHKD BY	CHKD BY	APPD BY

APPD BY	S.Y.KIM	UNIT	inch(mm)	SUBJECT	FR.180 (CAST IRON)	DWG SIZE
CHKD BY		SCALE	1/1	TITLE	SUB. TERMINAL BOX ASS'Y	A3 (1:1.1)
CHKD BY	R.G.KIM	PROJEC'N	3rd Angle			
DSND BY	배승희	DATE	2024-01-18			
				REF. NO		Sheet No. of
				DWG NO	3M-165277	Revision No. 0