

Customer :
Project Name :
Project No. :
Revision No. :

SPECIFICATION for INDUCTION MOTOR



0		For Bidding			
No.	DATE	DESCRIPTION	PREPARED BY	CHECKED BY	APPROVED BY



AC INDUCTION MOTOR DATA SHEET

Catalog No.	HSDE300-36-L449TS-IBSHSP	Item No.		Rev. No.	[]
Project Name		Project No.		Quantity	sets

GENERAL SPECIFICATION			PERFORMANCE DATA				
Frame Size	L449TS	Rated Output	225 kW			300 HP	
Type	PJP	Number of Poles	2				
Enclosure(Protection)	Totally Enclosed / IP55	Rotor Type	Squirrel Cage				
Method of Cooling	IC411(FC)	Starting Method*	D.O.L				
Rated Frequency	60 Hz	Rated Voltage	575 V	460 V	230 V		
Number of Phases	3	Current	Full Load	262.0 A	327.5 A	655.1 A	
Insulation Class	F		Locked-rotor**	700 %	700 %	700 %	
Temp. Rise at full load (by resistance method)		Efficiency					
at 1.0 S.F	80 deg. C	50% Load		92.8 %			
Motor Location	<input type="checkbox"/> Indoor <input type="checkbox"/> Outdoor	75% Load		94.8 %			
Altitude	Less than 1,000 meter	100% Load		95.8 %			
Relative Humidity	Less than 80 %	Power Factor(p.u)					
Ambient Temp.	40 deg. C (Max.)	50% Load		0.750			
Duty Type	Continuous (S1)	75% Load		0.850			
Service Factor	1.15	100% Load		0.900			
Mounting	B3	Speed at Full Load		3570 r.p.m			
Bearing	Type	Anti-Friction		Torque			
	DE/N-DE	6315C3 / 6315C3-INS.		Full Load	444.0 lb.ft		
	Lubricant	Grease(Polyrex-EM)		Locked-rotor**	130 %		
External Thrust	Not applicable		Breakdown**	225 %			
Coupling Method	<input checked="" type="checkbox"/> Direct <input type="checkbox"/> V-belt	Moment of Inertia (J)					
Shaft Extension	Single	Load(Max.)		246.000 lb.ft2			
Terminal Box	Main	Cast Iron		Motor			43.668 lb.ft2
	Aux.	Yes		Sound Pressure Level (No-load & mean value at 1m from motor)			
Location	Refer to Outline Drawing		87 dB(A)				
Application		Vibration		3.8 mm/sec (peak)			
Area classification	Hazardous	Permissible number of consecutive starts		Cold	2 times		
Type of Ex-Protection	Class I&II, Division 2			Hot	1 time		
Applicable Standard	NEMA MG1, CSA C390	Paint	Munsell No.	4.0PB5.4/5.5(VL-451)			

ACCESSORIES

*. Space Heater : 1EA/Motor

SPARE PARTS

1. Spare Axial Fan (C.W Direction)

SUBMITTAL DRAWING

Outline Dimension Drawing		Motor Weight(Approx.)	
B3	LM-T044XB3CE001	2890 lb.	

REMARK

- Premium efficiency according to NEMA MG1
- Inverter Duty @ 1.0 Service Factor & F Temperature rise
 - 10:1 VT (20:1 VT at 50% load)
 - 10:1 CT
 - CHp up to 1.5 times base speed, NEMA MG1 Part31
- NDE side : Insulated bearing
- CSA Certification
 - Class I, Division 2, Group A, B, C & D; Temp code : T3
 - Class II, Division 2 Group F & G; Temp code : T3
- Uni-directional CCW viewed from drive end.

Date	DSND	CHKD	CHKD	APPD
2024-07-13	S.H. Lee	I.K. Kim	R.G. Kim	S.W. Kim

[Note] Others not mentioned in this data sheet shall be in accordance with maker standard.
 Above technical data are only design values and shall be guaranteed with tolerance of applicable standard.
 Inspection and performance test shall be done according to maker standard, if not mentioned.
 * In case of Inverter-Fed Motor, performance data is based on sine wave tests. It may be different from test data of Inverter combined motor.
 ** Data is based on rated voltage & frequency and is expressed as a percentage of full-load value.


1	2	3	4
REV	DATE	CONTENTS	REVD BY CHKD BY CHKD BY APPD BY

4.72


CROWN TRITON

Premium Efficiency AC 3 Phase Motor






300HP	2P	460V	Cat. No.	HSDE300-36-L449TS-IBSHSP					
Model	LATER		INS. Class	F	Amps	327.5			
Type	PJP	Duty	CONT	Code	G	Amb. 40°C	Hertz	60Hz	
Frame	L449TS	Encl.	TEFC	S.F.	1.15	RPM	3570	NEMA Nom. Eff.	95.8%
Bearing	Drive	6315C3		S.F.1.00 (10:1 C.T., 20:1 V.T., NEMA-MG1 Part31)		3/4 Eff.	94.8%		
	Opp.	6315C3-INS.				NEMA Design	B		
Usable at									
CSA Certified for	CLASS I, Div. 2, Gr. A, B, C & D		CLASS II, Div. 2, Gr. F & G		Temp. Code (sine wave)	Frame	L440FR - 500FR		
	CLASS I, Zone 2, Gr. IIA, IIB, & IIC					Amb. 40°C	T3 (200°C)		
						Amb. 55°C	T3 (200°C)		
No.	-	Date	-	Weight	2890 lb				

4M-136053 Made in Korea H1 

2.36

APPD BY	S.Y.KIM	UNIT	INCH	SUBJECT	CSA Class I, Division2 Severe Duty (HSDE ,L449-500)	DWG SIZE
CHKD BY	I.K.KIM	SCALE	NONE			A4 (1:1)
CHKD BY	R.G.KIM	PROJEC'N	3rd Angle	TITLE NAMEPLATE DRAWING		
DSND BY	S.H.LEE	DATE	2024.06.07			

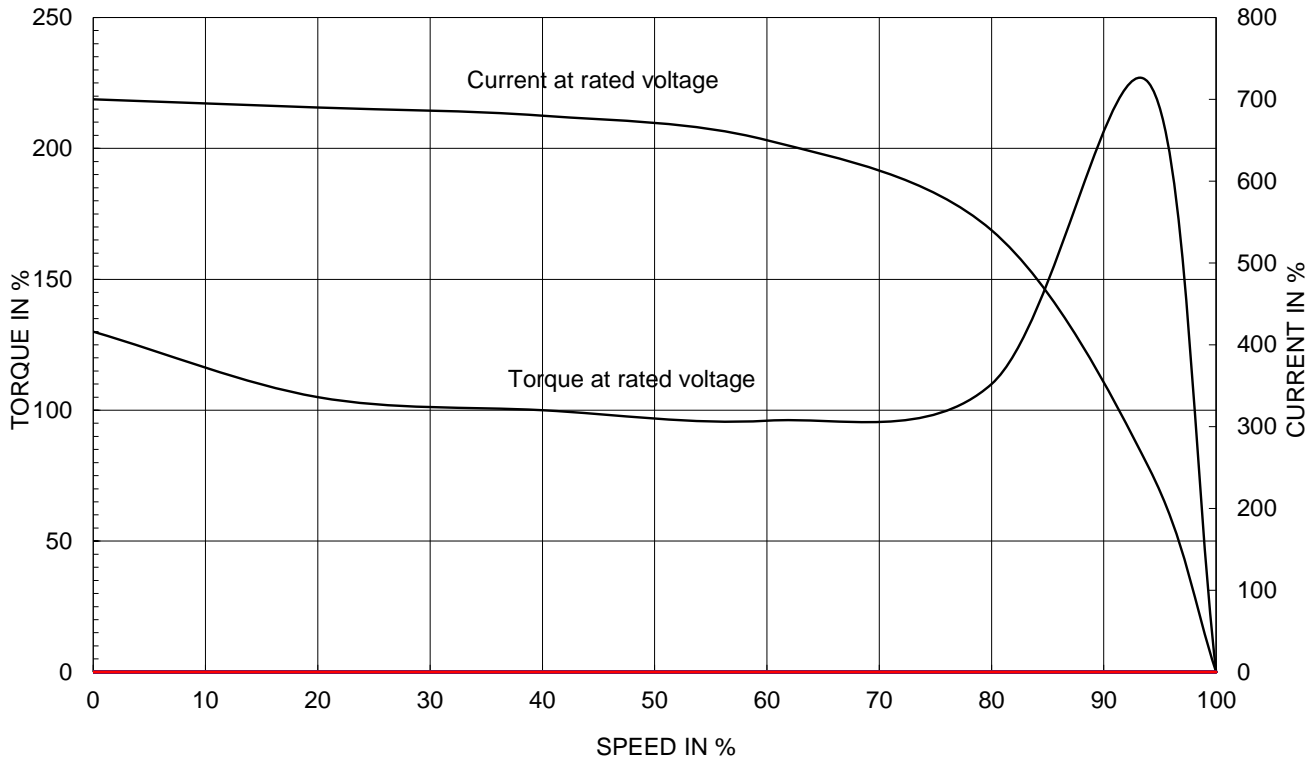


REF. NO	4M-136053	Sheet No.	of
DWG NO	NP-HSDE300-36-L449TS-IBSHSP	Revision No.	0

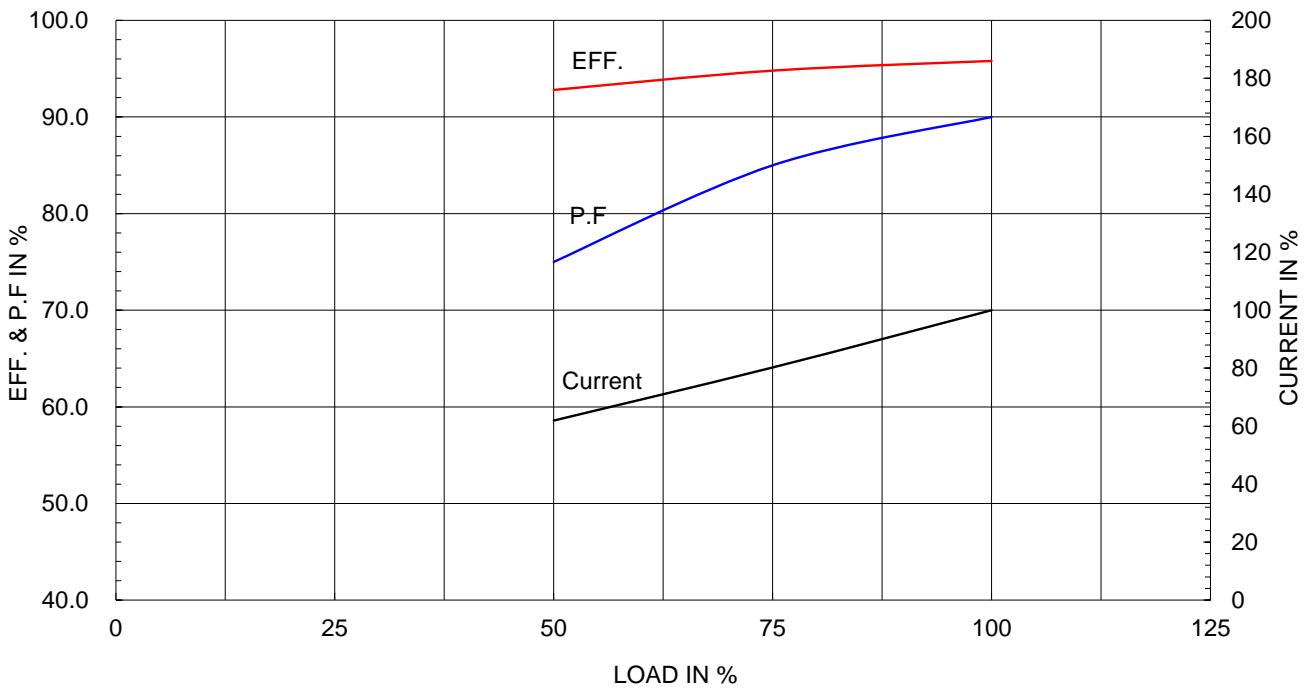
Type :	PJP
Full Load Torque :	444.0 lb.ft
Load moment of Inertia (J) :	246.000 lb.ft2
Motor moment of Inertia (J) :	43.668 lb.ft2

225kW 300HP	2 P	60 Hz
Speed at Full Load :		3570 RPM
Rated Voltage	575V	460V 230V
Full Load Current	262.0A	327.5A 655.1A

SPEED VS TORQUE & CURRENT CURVE



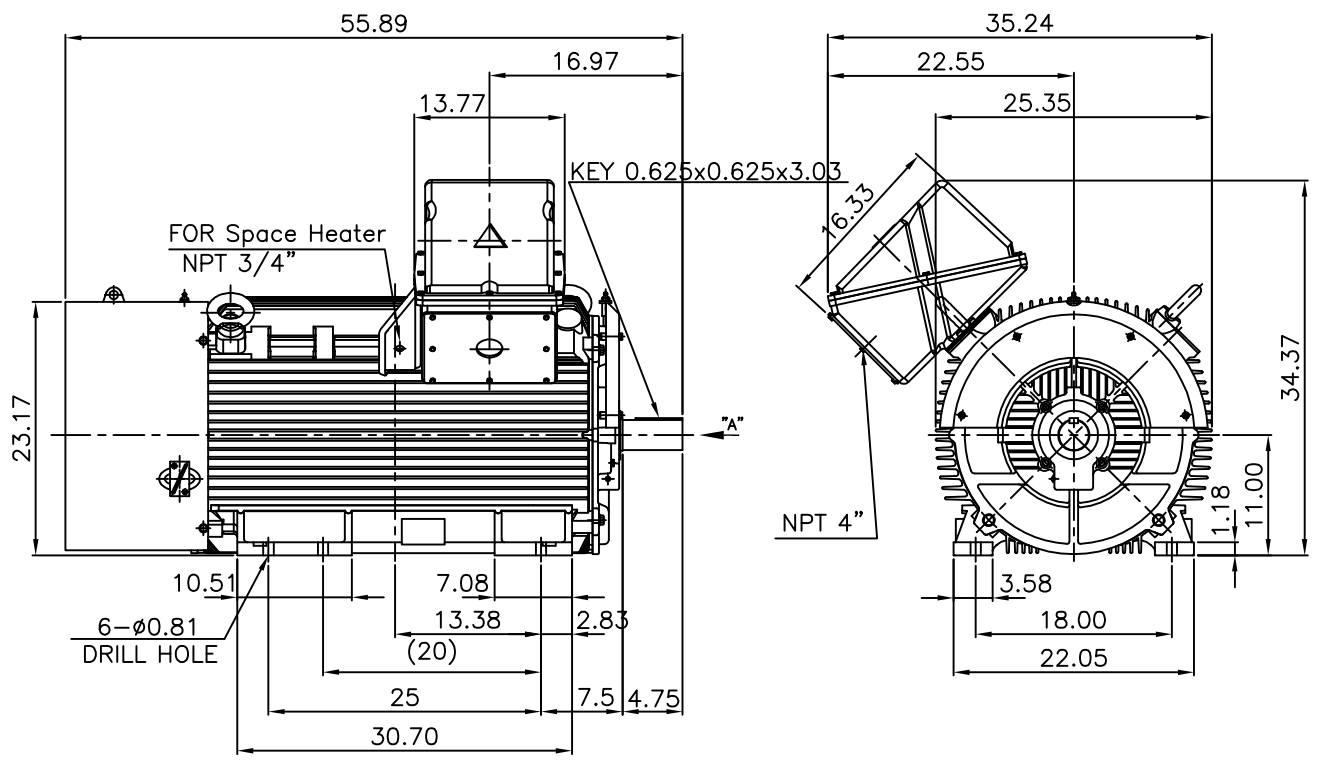
OUTPUT VS EFF., P.F & CURRENT CURVE



본 도면은 HD현대일렉트릭(주) 재산이며 허가없이 복사할 수 없음 (취급유의)

THIS DRAWING IS PROPRIETARY TO HYUNDAI ELECTRIC. NO PART OF THIS DRAWING MAYBE REPRODUCED WITHOUT THE PERMISSION OF HYUNDAI ELECTRIC.

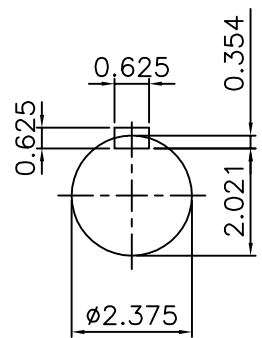
1	2	3	4
▽	50S	REV	DATE
▽▽	12.5S		
▽▽▽	3.2S		
▽▽▽▽	0.4S		
REVD BY	CHKD BY	CHKD BY	APPD BY



NOTE

1.TOLERANCE :

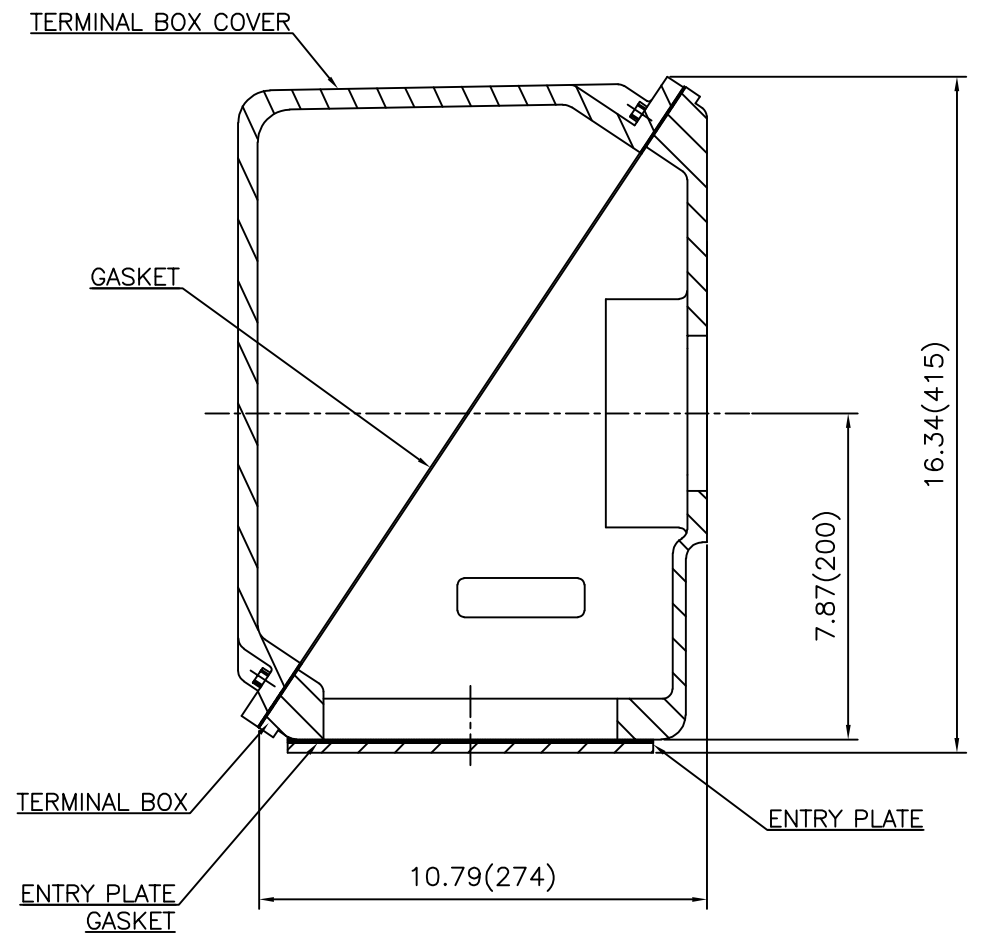
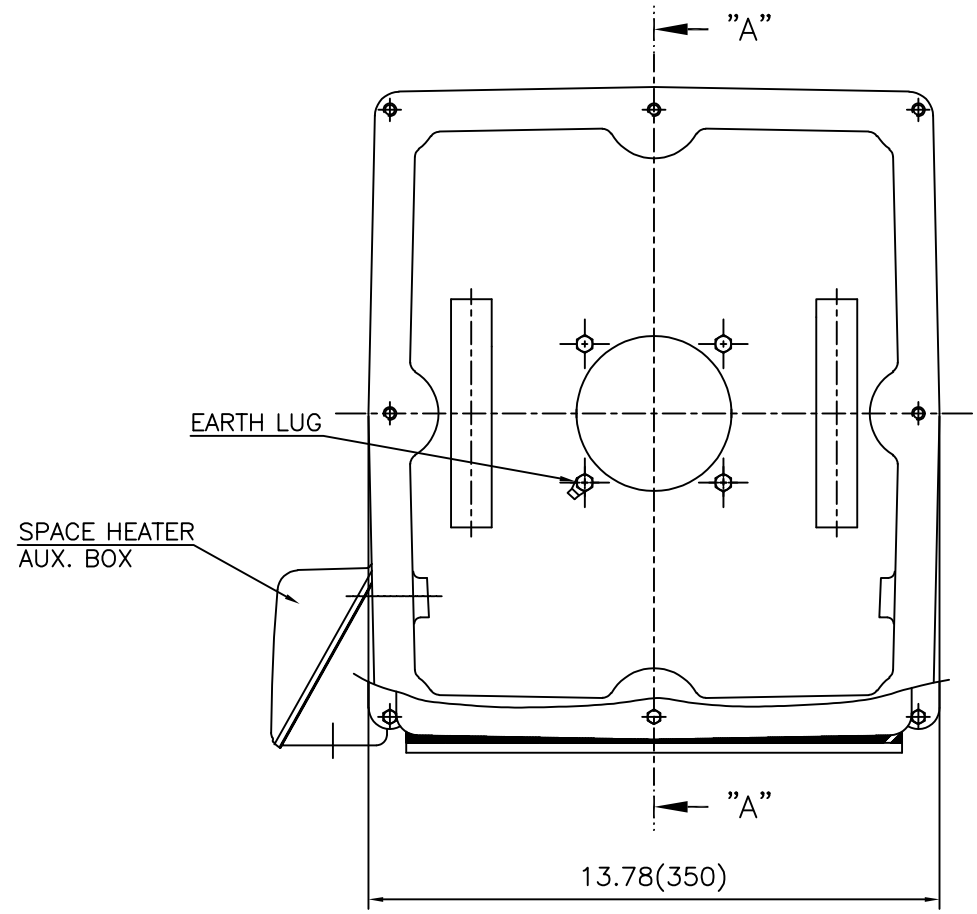
CENTER HEIGHT	11	+0.000	-0.060
SHAFT DIAMETER	ø2.375	+0.000	-0.001
KEYWAY WIDTH	0.625	+0.002	-0.000



VIEW "A"

APPD BY	S.Y.KIM	UNIT	INCH	SUBJECT	Fr.L449TS	DWG SIZE	A4 (1:18)
CHKD BY	O.J.KIM	SCALE	1/18	TITLE	NEMA STD SHAFT(AISI 1045 SHAFT)		
CHKD BY	R.G.KIM	PROJEC'N	3각법 (3rd Angle)	OUTLINE			
DSND BY	H.K.LEE	DATE	2021-04-27	REF. NO		Sheet No.	of
				DWG NO	LM-T044XB3CE001	Revision No.	0

**Cls. I&II, Div. 2
IEEE 841**

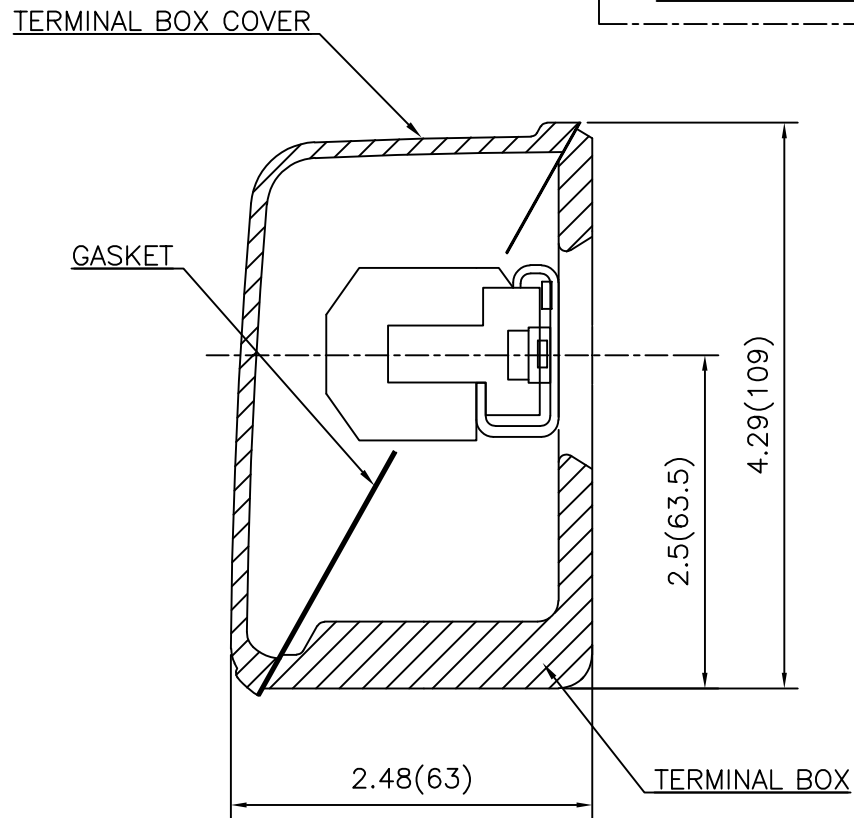


SEC. "A" - "A"

REV	DATE	CONTENTS	REVD BY	CHKD BY	CHKD BY	APPD BY

APPD BY	S.Y.KIM	UNIT	inch(mm)	SUBJECT	FR. L440 (CAST IRON)	DWG SIZE
CHKD BY		SCALE	1/3.5	TITLE	MAIN TERMINAL BOX ASS'Y	A3 (1:3.5)
CHKD BY	R.G.KIM	PROJEC'N	3rd Angle			
DSND BY	최승희	DATE	2023-10-19			
				REF. NO		Sheet No. of
				DWG NO	3M-248452	Revision No. 0

Cls. I&II, Div. 2
IEEE 841



REV	DATE	CONTENTS	REVD BY	CHKD BY	CHKD BY	APPD BY

APPD BY	S.Y.KIM	UNIT	inch(mm)	SUBJECT	FR.180 (CAST IRON)	DWG SIZE	A3 (1:1.1)
CHKD BY		SCALE	1/1	TITLE	SUB. TERMINAL BOX ASS'Y		
CHKD BY	R.G.KIM	PROJEC'N	3rd Angle	REF. NO		Sheet No.	of
DSND BY	배승희	DATE	2024-01-18	DWG NO	3M-165277	Revision No.	0

