

Customer :
Project Name :
Project No. :
Revision No. :

SPECIFICATION for INDUCTION MOTOR



0		For Bidding			
No.	DATE	DESCRIPTION	PREPARED BY	CHECKED BY	APPROVED BY



AC INDUCTION MOTOR DATA SHEET

Catalog No.	HSDE300-18-L449T-IBBRSRSH	Item No.		Rev. No.	[]
Project Name		Project No.		Quantity	sets

GENERAL SPECIFICATION			PERFORMANCE DATA				
Frame Size	L449T	Rated Output	225 kW			300 HP	
Type	PJP	Number of Poles	4				
Enclosure(Protection)	Totally Enclosed / IP55	Rotor Type	Squirrel Cage				
Method of Cooling	IC411(FC)	Starting Method*	D.O.L				
Rated Frequency	60 Hz	Rated Voltage	575 V	460 V	230 V		
Number of Phases	3	Current	Full Load	266.9 A	333.6 A	667.2 A	
Insulation Class	F		Locked-rotor**	710 %	710 %	710 %	
Temp. Rise at full load (by resistance method)		Efficiency					
at 1.0 S.F	80 deg. C	50% Load		93.2 %			
Motor Location	<input type="checkbox"/> Indoor <input type="checkbox"/> Outdoor	75% Load		95.2 %			
Altitude	Less than 1,000 meter	100% Load		96.2 %			
Relative Humidity	Less than 80 %	Power Factor(p.u)					
Ambient Temp.	40 deg. C (Max.)	50% Load		0.730			
Duty Type	Continuous (S1)	75% Load		0.830			
Service Factor	1.15	100% Load		0.880			
Mounting	B3	Speed at Full Load		1785 r.p.m			
Bearing	Type	Anti-Friction		Torque			
	DE/N-DE	NU322 / 6318C3-INS.		Full Load	888.0 lb.ft		
	Lubricant	Grease(Polyrex-EM)		Locked-rotor**	135 %		
External Thrust	Not applicable		Breakdown**	225 %			
Coupling Method	<input type="checkbox"/> Direct <input type="checkbox"/> V-belt	Moment of Inertia (J)					
Shaft Extension	Single	Load(Max.)		1,200.000 lb.ft2			
Terminal Box	Main	Cast Iron		Motor			101.100 lb.ft2
	Aux.	Yes		Sound Pressure Level (No-load & mean value at 1m from motor)			
Location	Refer to Outline Drawing		85 dB(A)				
Application		Vibration		3.8 mm/sec (peak)			
Area classification	Hazardous	Permissible number of consecutive starts		Cold	2 times		
Type of Ex-Protection	Class I&II, Division 2			Hot	1 time		
Applicable Standard	NEMA MG1, CSA C390	Paint	Munsell No.	4.0PB5.4/5.5(VL-451)			

ACCESSORIES	
*	B.T.D.(Pt 100 Ω at 0°C,Single) : 2EA/Motor
*	W.T.D.(Pt 100 Ω at 0°C) : 2EA/Ph.
*	Space Heater : 1EA/Motor

SPARE PARTS	

SUBMITTAL DRAWING			
Outline Dimension Drawing		Motor Weight(Approx.)	
B3	LM-T044XB3U7001	2890 lb.	

REMARK				
1. Premium efficiency according to NEMA MG1				
2. Inverter Duty @ 1.0 Service Factor & F Temperature rise				
-. 10:1 VT (20:1 VT at 50% load)				
-. 10:1 CT				
-. CHp up to 1.5 times base speed, NEMA MG1 Part31				
3. NDE side : Insulated bearing				
4. CSA Certification				
-. Class I, Division 2, Group A, B, C & D; Temp code : T3				
-. Class II, Division 2 Group F & G; Temp code : T3				
5. Shaft material : AISI4140				

Date	DSND	CHKD	CHKD	APPD
2024-07-13	S.H. Lee	I.K. Kim	R.G. Kim	S.W. Kim





[Note] Others not mentioned in this data sheet shall be in accordance with maker standard.
 Above technical data are only design values and shall be guaranteed with tolerance of applicable standard.
 Inspection and performance test shall be done according to maker standard, if not mentioned.
 * In case of Inverter-Fed Motor, performance data is based on sine wave tests. It may be different from test data of Inverter combined motor.
 ** Data is based on rated voltage & frequency and is expressed as a percentage of full-load value.

1	2	3	4
REV	DATE	CONTENTS	REVD BY CHKD BY CHKD BY APPD BY

4.72

CROWN TRITON


Premium Efficiency AC 3 Phase Motor

300HP	4P	460V	Cat. No.	HSDE300-18-L449T-IBBRSRSH					
Model	LATER		INS. Class	F	Amps	333.6			
Type	PJP	Duty	CONT	Code	G	Amb. 40°C	Hertz	60Hz	
Frame	L449T	Encl.	TEFC	S.F.	1.15	RPM	1785	NEMA Nom. Eff.	96.2%
Bearing	Drive	NU322		S.F.1.00 (10:1 C.T., 20:1 V.T., NEMA-MG1 Part31)		3/4 Eff.	95.2%		
	Opp.	6318C3-INS.				NEMA Design	B Torque		
Usable at									
CSA Certified for	CLASS I, Div. 2, Gr. A, B, C & D		CLASS II, Div. 2, Gr. F & G		Temp. Code (sine wave)	Frame	L440FR - 500FR		
	CLASS I, Zone 2, Gr. IIA, IIB, & IIC					Amb. 40°C	T3 (200°C)		
						Amb. 55°C	T3 (200°C)		
No.	-	Date	-	Weight	2890 lb				

4M-136053 Made in Korea H1 **HD HYUNDAI ELECTRIC**

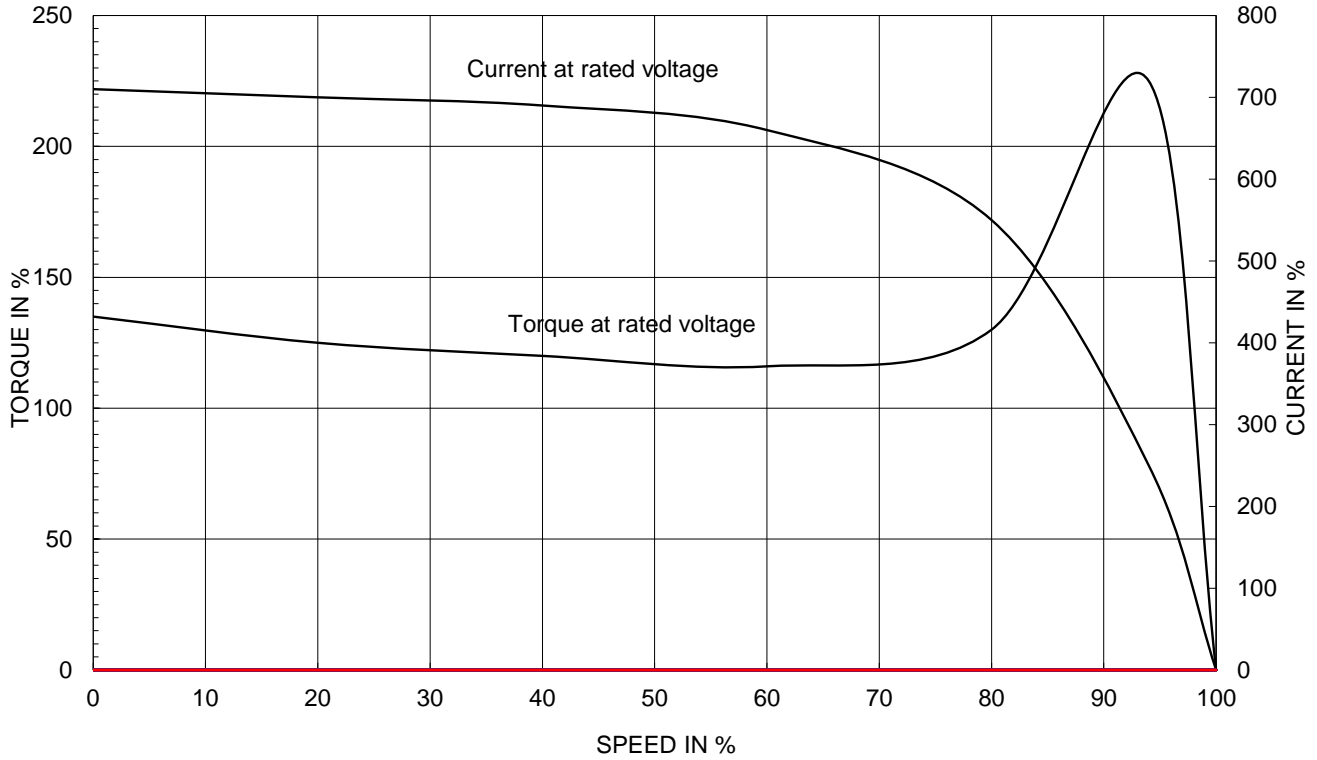
2.36

APPD BY	S.Y.KIM	UNIT	INCH	SUBJECT	CSA Class I, Division2 Severe Duty (HSDE ,L449-500)	DWG SIZE
CHKD BY	I.K.KIM	SCALE	NONE			A4 (1:1)
CHKD BY	R.G.KIM	PROJEC'N	3rd Angle	TITLE NAMEPLATE DRAWING		
DSND BY	S.H.LEE	DATE	2024.06.07			
				REF. NO	4M-136053	Sheet No. of
				DWG NO	NP-HSDE300-18-L449T-IBBRSRSH	Revision No. 0

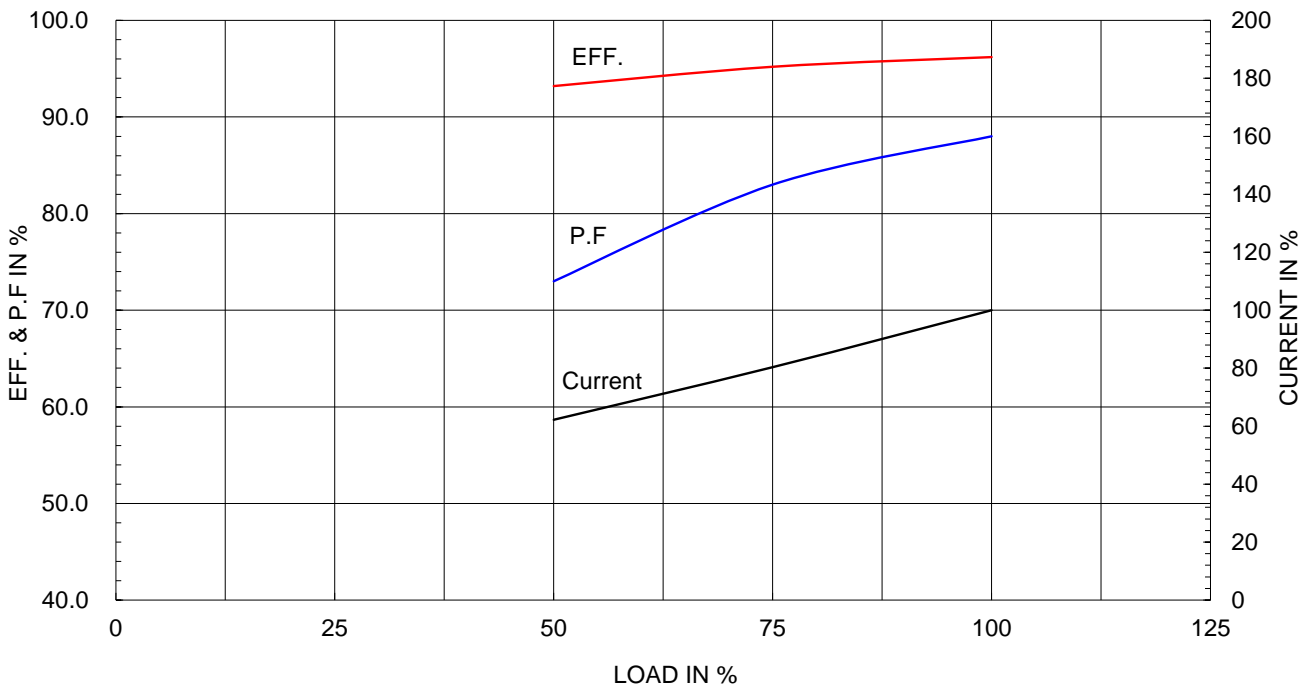
Type :	PJP
Full Load Torque :	888.0 lb.ft
Load moment of Inertia (J) :	1200.000 lb.ft ²
Motor moment of Inertia (J) :	101.100 lb.ft ²

225kW 300HP	4 P	60 Hz
Speed at Full Load :		1785 RPM
Rated Voltage	575V	460V 230V
Full Load Current	266.9A	333.6A 667.2A

SPEED VS TORQUE & CURRENT CURVE



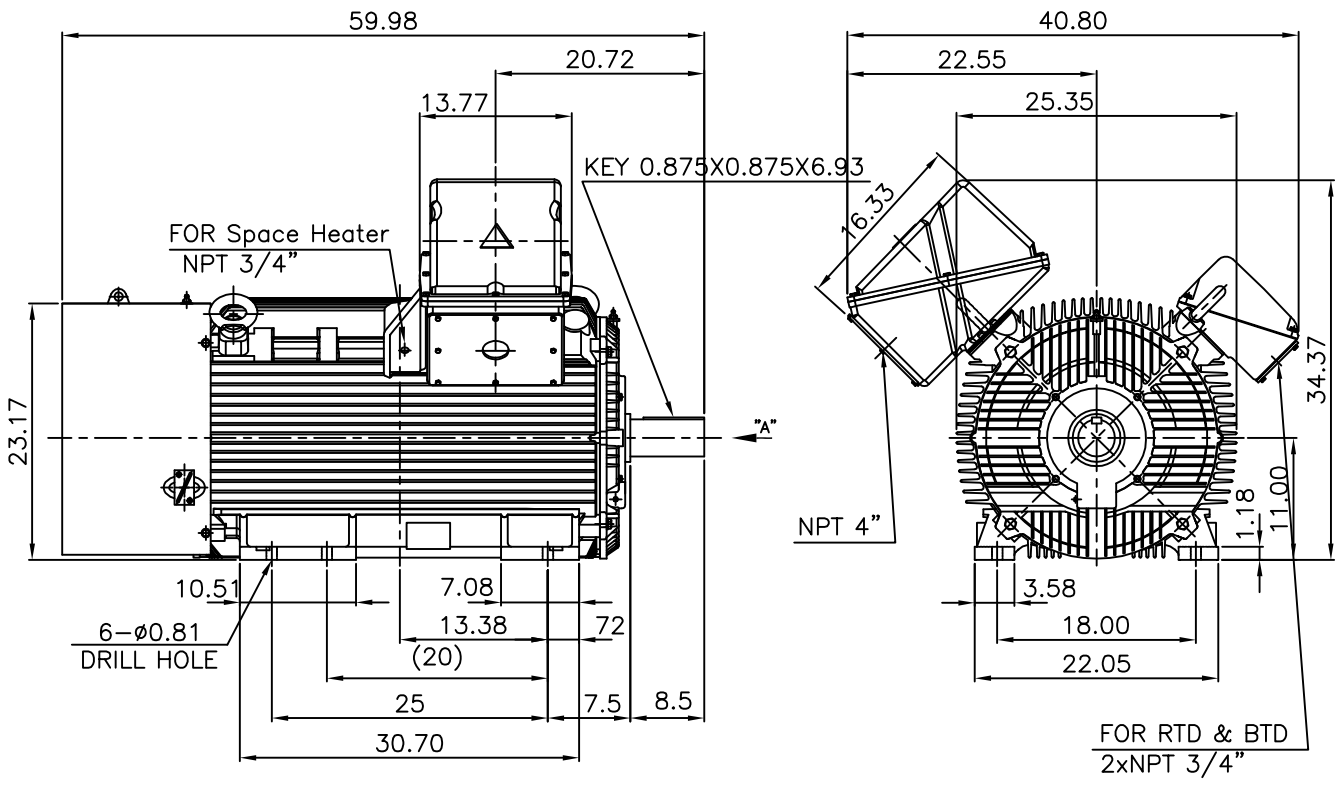
OUTPUT VS EFF., P.F & CURRENT CURVE



본 도면은 HD현대일렉트릭(주) 재산이며 허가없이 복사할 수 없음 (취급주의)

THIS DRAWING IS PROPRIETARY TO HYUNDAI ELECTRIC. NO PART OF THIS DRAWING MAYBE REPRODUCED WITHOUT THE PERMISSION OF HYUNDAI ELECTRIC.

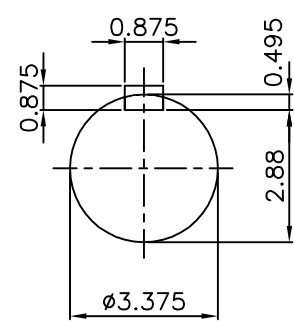
▽	50S	REV	DATE	CONTENTS	REVD BY	CHKD BY	CHKD BY	APPD BY
▽▽	12.5S							
▽▽▽	3.2S							
▽▽▽▽	0.4S							



NOTE

1.TOLERANCE :

CENTER HEIGHT	11	+0.000	-0.060
SHAFT DIAMETER	ø3.375	+0.000	-0.001
KEYWAY WIDTH	0.875	+0.003	-0.000



VIEW "A"

APPD BY	S.Y.KIM	UNIT	INCH	SUBJECT	Fr.L449T	DWG SIZE	A4 (1:18)
CHKD BY	O.J.KIM	SCALE	1/18			TITLE	NEMA STD SHAFT(4140 SHAFT)
CHKD BY	R.G.KIM	PROJEC'N	3각법 (3rd Angle)	OUTLINE			Sheet No. of
DSND BY	H.K.LEE	DATE	2021-04-27				REF. NO
				DWG NO	LM-T044XB3U7001		

**Cls. I&II, Div. 2
IEEE 841**



SEC. "A" - "A"

REV	DATE	CONTENTS	REVD BY	CHKD BY	CHKD BY	APPD BY

APPD BY	S.Y.KIM	UNIT	inch(mm)	SUBJECT	FR. L440 (CAST IRON)	DWG SIZE
CHKD BY		SCALE	1/3.5	TITLE	MAIN TERMINAL BOX ASS'Y	A3 (1:3.5)
CHKD BY	R.G.KIM	PROJEC'N	3rd Angle			
DSND BY	최승희	DATE	2023-10-19			
				REF. NO		Sheet No. of
				DWG NO	3M-248452	Revision No. 0

Cls. I&II, Div. 2 IEEE 841

본 도면은 HD현대일렉트릭(주) 재산이며
허가없이 복사할 수 없음 (취급주의)

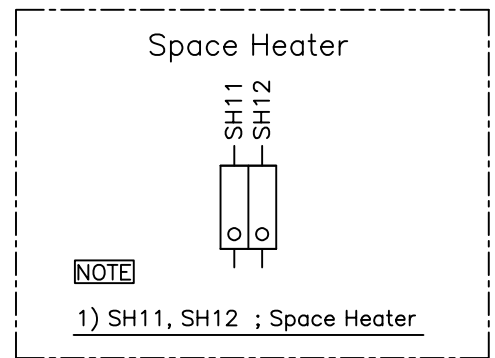
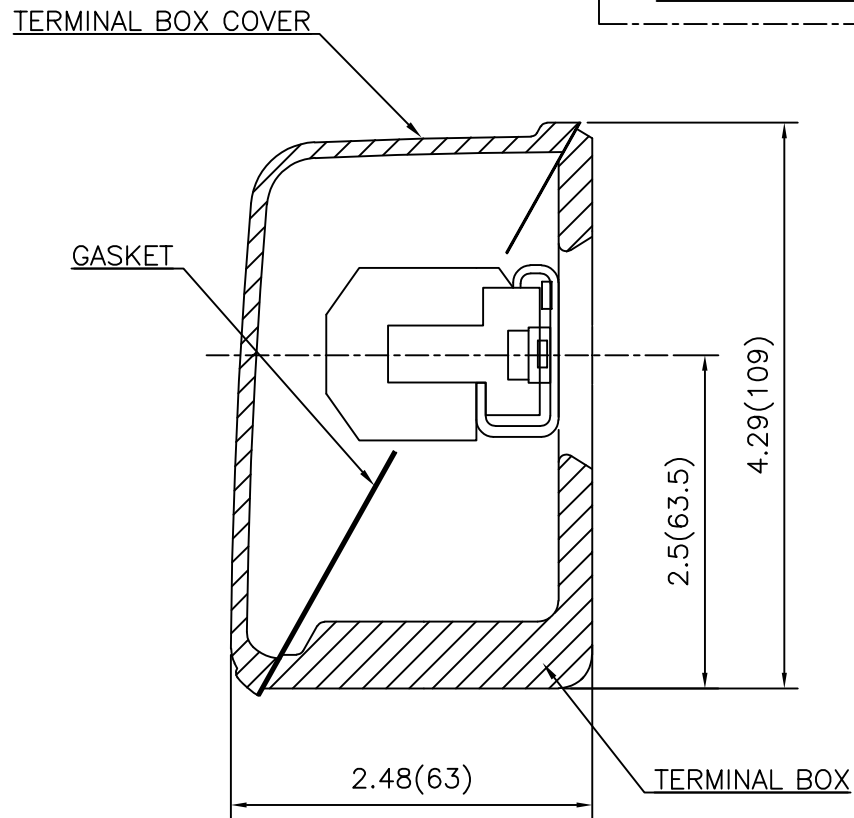
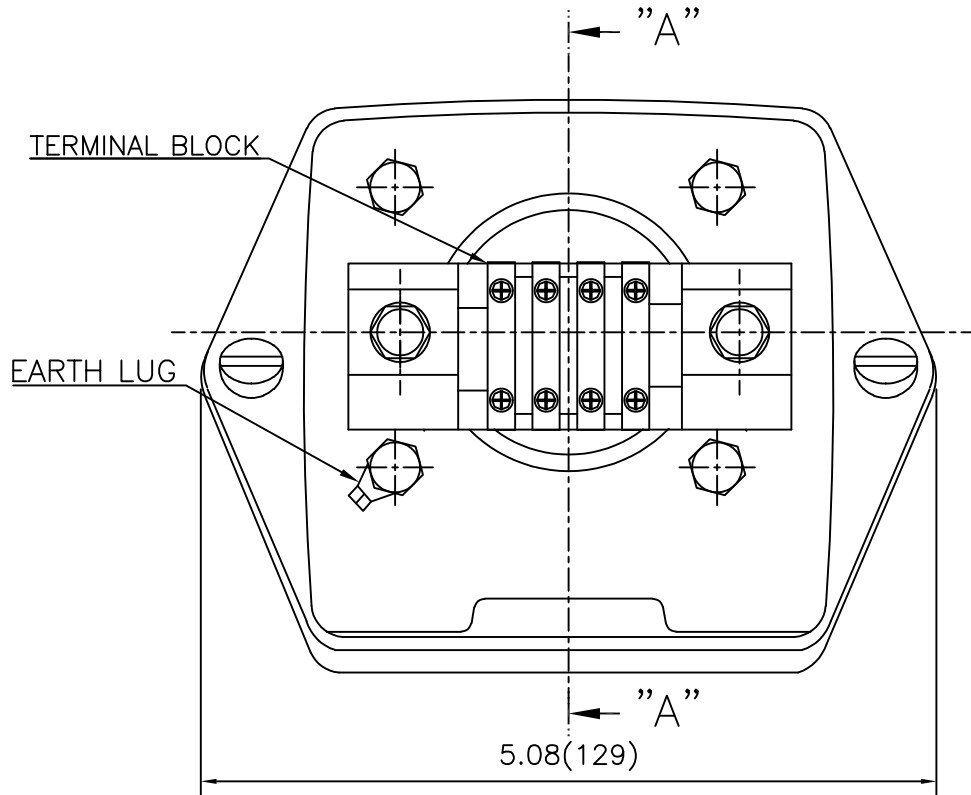
THIS DRAWING IS PROPRIETARY TO HYUNDAI ELECTRIC. NO PART OF THIS DRAWING
MAY BE REPRODUCED WITHOUT THE PERMISSION OF HYUNDAI ELECTRIC.



REV	DATE	CONTENTS	REVD BY	CHKD BY	CHKD BY	APPD BY

APPD BY	S.Y.KIM	UNIT	inch(mm)	SUBJECT	FR.360 (CAST IRON)	DWG SIZE	A3 (1:2.2)
CHKD BY		SCALE	1/1	TITLE	AUX. TERMINAL BOX ASS'Y	REF. NO	Sheet No. of
CHKD BY	R.G.KIM	PROJEC'N	3rd Angle	DWG NO		3M-165277	Revision No.
DSND BY	배승희	DATE	2024-01-18				

**Cls. I&II, Div. 2
IEEE 841**



REV	DATE	CONTENTS	REVD BY	CHKD BY	CHKD BY	APPD BY

APPD BY	S.Y.KIM	UNIT	inch(mm)	SUBJECT	FR.180 (CAST IRON)	DWG SIZE
CHKD BY		SCALE	1/1	TITLE	SUB. TERMINAL BOX ASS'Y	A3 (1:1.1)
CHKD BY	R.G.KIM	PROJEC'N	3rd Angle			
DSND BY	배승희	DATE	2024-01-18			
				REF. NO		Sheet No. of
				DWG NO	3M-165277	Revision No. 0