

Customer :  
Project Name :  
Project No. :  
Revision No. :

# SPECIFICATION for INDUCTION MOTOR



0		For Bidding			
No.	DATE	DESCRIPTION	PREPARED BY	CHECKED BY	APPROVED BY



# AC INDUCTION MOTOR DATA SHEET

Catalog No.	HHI75-18-365T	Item No.	Rev. No. [     ]
Project Name		Project No.	Quantity                      sets

GENERAL SPECIFICATION		PERFORMANCE DATA		
Frame Size	365T	Rated Output	55 kW                      75 HP	
Type	PJP	Number of Poles	4	
Enclosure(Protection)	Totally Enclosed / IP55	Rotor Type	Squirrel Cage	
Method of Cooling	IC411(FC)	Starting Method*	D.O.L	
Rated Frequency	60 Hz	Rated Voltage	575 V	460 V                      230 V
Number of Phases	3	Current	Full Load	68.1 A                      85.1 A                      170.3 A
Insulation Class	F		Locked-rotor**	690 %                      690 %                      690 %
Temp. Rise at full load (by resistance method)		Efficiency		
at 1.0 S.F	80 deg. C	50% Load                      92.4 %		
Motor Location	<input type="checkbox"/> Indoor <input type="checkbox"/> Outdoor	75% Load                      94.4 %		
Altitude	Less than 1,000 meter	100% Load                      95.4 %		
Relative Humidity	Less than 80 %	Power Factor(p.u)		
Ambient Temp.	40 deg. C (Max.)	50% Load                      0.700		
Duty Type	Continuous ( S1 )	75% Load                      0.800		
Service Factor	1.15	100% Load                      0.850		
Mounting	B3	Speed at Full Load	1780 r.p.m	
Bearing	Type	Torque		
	DE/N-DE	Full Load                      217.7 lb.ft		
	Lubricant	Locked-rotor**                      150 %		
External Thrust	Not applicable	Breakdown**                      220 %		
Coupling Method	<input checked="" type="checkbox"/> Direct <input type="checkbox"/> V-belt	Moment of Inertia (J)		
Shaft Extension	Single	Load(Max.)                      654.961 lb.ft2		
Terminal Box	Main	Motor                      20.900 lb.ft2		
	Aux.	Sound Pressure Level (No-load & mean value at 1m from motor)		
Location	Refer to Outline Drawing	82 dB(A)		
Application		Vibration                      3.8 mm/sec (peak)		
Area classification	Hazardous	Permissible number of consecutive starts		
Type of Ex-Protection	Class I&II, Division 2	Cold                      3 times		
Applicable Standard	NEMA MG1, CSA C390	Hot                      2 times		
		Paint	Munsell No.	4.0PB5.4/5.5(VL-451)

ACCESSORIES

SUBMITTAL DRAWING		
Outline Dimension Drawing	Motor Weight(Approx.)	
B3	LM-T1365B3PL001	820 lb.

**REMARK**

1. Premium efficiency according to NEMA MG1
2. Inverter Duty @ 1.0 Service Factor & F Temperature rise
  - 10:1 VT (20:1 VT at 50% load)
  - 10:1 CT
  - CHP up to 1.5 times base speed, NEMA MG1 Part31
3. CSA Certification
  - Class I, Division 2, Group A, B, C & D
  - Class II, Division 2 Group E, F & G (Group E : up to 320Fr.)
4. Service Factor 1.15 and Temperature rise B are applicable under the condition of sine wave power.
5. Service Factor 1.25 is applicable to motors of 100HP or less with temperature rise F & Non-Hazardous.


Date	DSND	CHKD	CHKD	APPD
2024-07-13	S.H. Lee	I.K. Kim	R.G. Kim	S.W. Kim


[Note] Others not mentioned in this data sheet shall be in accordance with maker standard.  
 Above technical data are only design values and shall be guaranteed with tolerance of applicable standard.  
 Inspection and performance test shall be done according to maker standard, if not mentioned.  
 \* In case of Inverter-Fed Motor, performance data is based on sine wave tests. It may be different from test data of Inverter combined motor.  
 \*\* Data is based on rated voltage & frequency and is expressed as a percentage of full-load value.

1	2	3	4
REV	DATE	CONTENTS	REVD BY


4.72

**CROWN TRITON**  
Premium Efficiency AC 3 Phase Motor



75HP	4P	230/460V	Cat. No.	HHI75-18-365T			
Model	HLS365SR04		INS. Class	F	HD-F1	Amps	170.3/85.
Type	HLS	Duty	CONT	Code	G	Amb.	40°C
Hertz	60Hz						
Frame	365T	Encl.	TEFC	S.F.	1.15	RPM	1780
						NEMA Nom. Eff.	95.4%
Bearing	Drive	6314C3		S.F.1.00 (10:1 C.T., 20:1 V.T., NEMA-MG1 Part31)		3/4 Eff.	94.4%
	Opp.	6213C3				NEMA Design	B
Usable at	50Hz 75HP 380V 102.3A 1475rpm S.F.: 1.0 Eff.: 94.5% Code: E						
	50Hz 75HP 400/415V 98.3/96A 1478/1479rpm S.F.: 1.0 Eff.: 94.8/94.9% Code: F/G						
CSA Certified for	Model	LATER		Type	PJP		
	CLASS I, Div. 2, Gr. A, B, C & D	CLASS II, Div. 2 Gr. E, F & G (Gr. E : Up to 320FR)		Temp. Code (sine wave)	Amb. 40°C	T3C (160°C)	T3B (165°C)
	CLASS I, Zone 2, Gr. IIA, IIB, & IIC			Amb. 55°C	T3A (180°C)	T3A (180°C)	T3 (200°C)
No.	-		Date	-		Weight	820 lb
	4M-135702		Made in Korea H1				

2.36

APPD BY	S.Y.KIM	UNIT	INCH	SUBJECT	CSA Class I, Division2 Severe Duty (HHI, 364-449)	DWG SIZE
CHKD BY	I.K.KIM	SCALE	NONE			A4 ( 1:1 )
CHKD BY	R.G.KIM	PROJEC'N	3rd Angle	TITLE <b>NAMEPLATE DRAWING</b>		
DSND BY	S.H.LEE	DATE	2024.06.07			
				REF. NO	<b>4M-135702</b>	Sheet No. of
				DWG NO	<b>NP-HHI75-18-365T</b>	Revision No. <b>0</b>



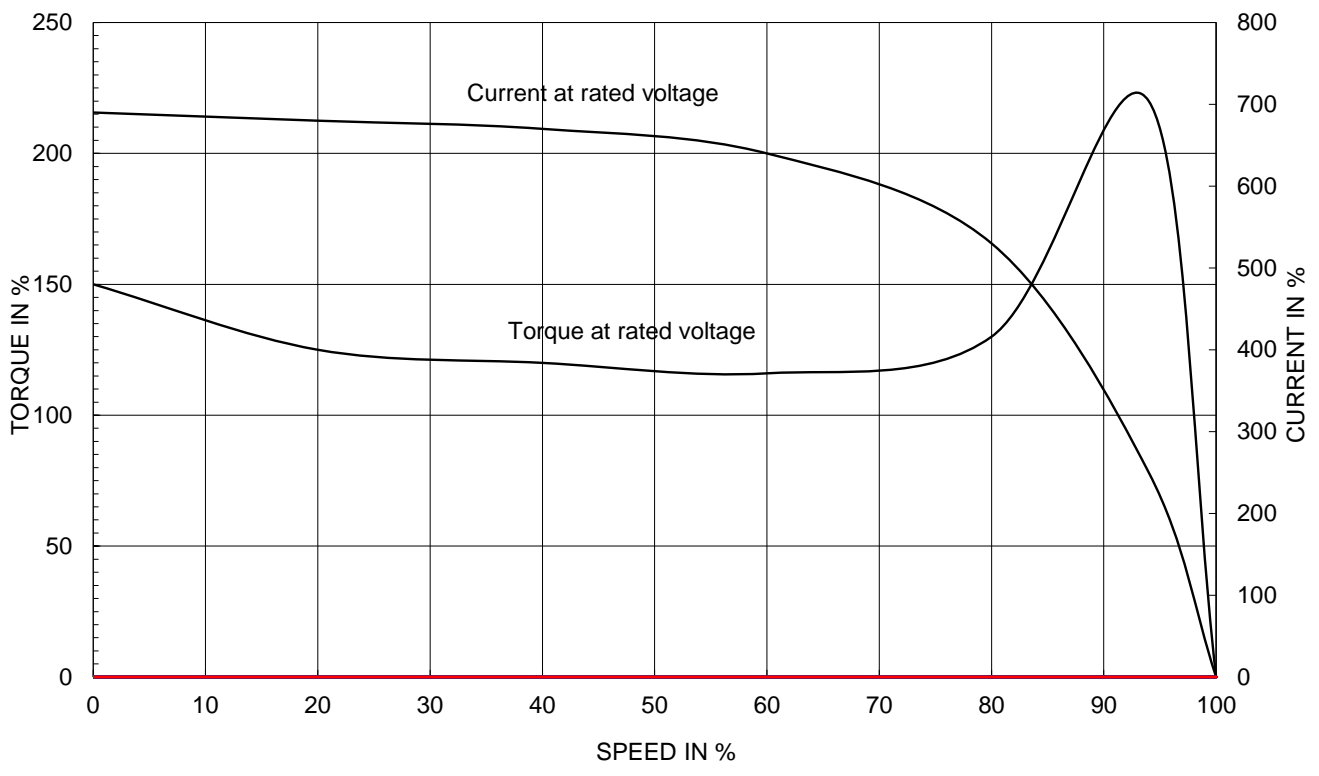
# PERFORMANCE CURVE

CURVE NO.  
PC-HHI75-18-365T

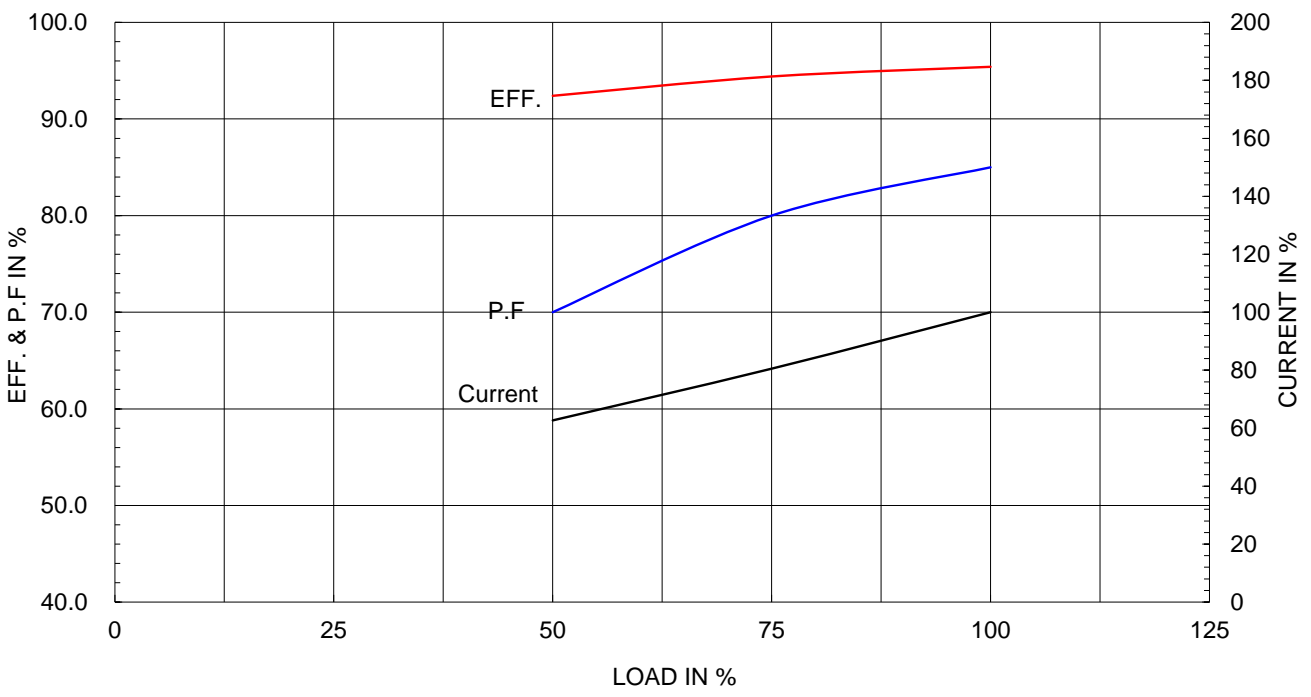
Type :	PJP
Full Load Torque :	217.7 lb.ft
Load moment of Inertia (J) :	654.961 lb.ft2
Motor moment of Inertia (J) :	20.900 lb.ft2

55kW 75HP	4 P	60 Hz
Speed at Full Load :		1780 RPM
Rated Voltage	575V	460V 230V
Full Load Current	68.1A	85.1A 170.3A

SPEED VS TORQUE & CURRENT CURVE



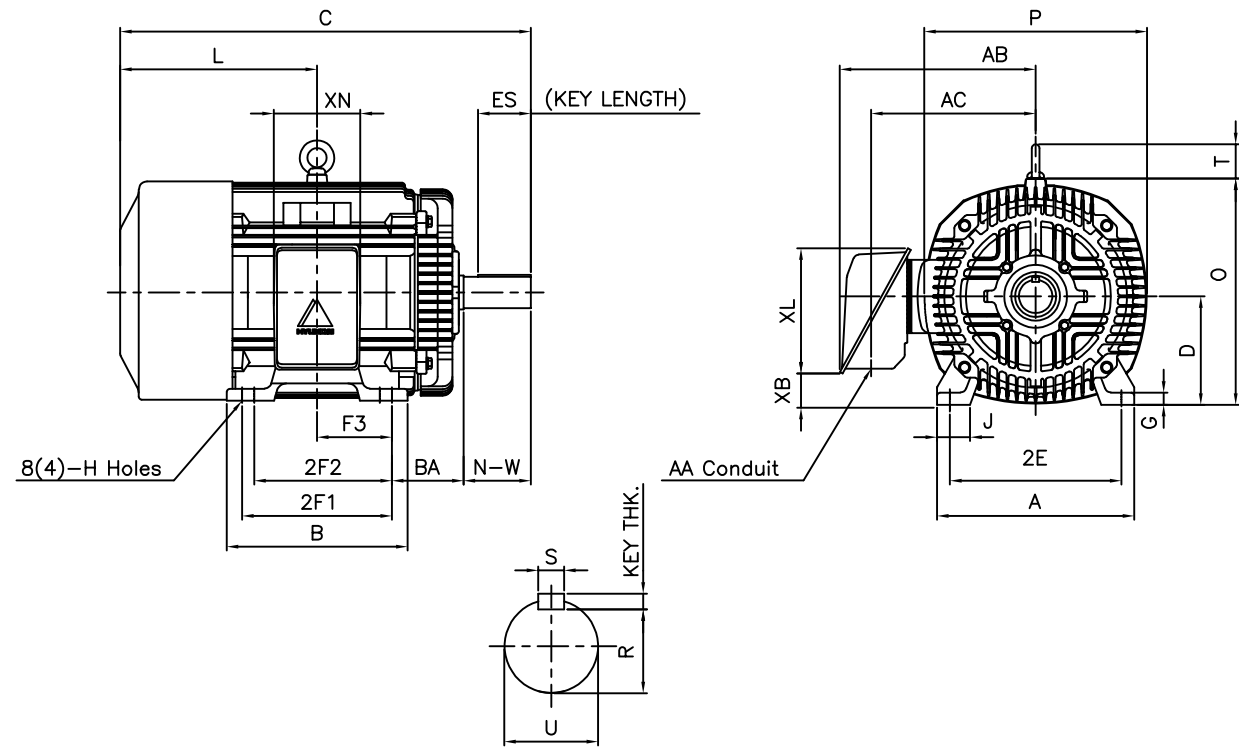
OUTPUT VS EFF., P.F & CURRENT CURVE



본 도면은 HD현대일렉트릭(주) 재산이며 허가없이 복사할 수 없음 (취급주의)

THIS DRAWING IS PROPRIETARY TO HYUNDAI ELECTRIC. NO PART OF THIS DRAWING MAYBE REPRODUCED WITHOUT THE PERMISSION OF HYUNDAI ELECTRIC.

▽	50S	REV	DATE	CONTENTS	REVD BY	CHKD BY	CHKD BY	APPD BY
▽▽	12.5S							
▽▽▽	3.2S							
▽▽▽▽	0.4S							



DIMENSIONS

unit : inch

M O U N T I N G									C O N D U I T B O X						APPROX. WGT.(LB)
A	B	2E	2F1	2F2	F3	G	J	H	AA	AB	AC	XB	XL	XN	
16.14	14.92	14.00	12.25	(11.25)	6.122	0.98	2.72	0.66	3.00	17.13	13.82	2.70	10.24	7.09	820

O V E R A L L							S H A F T					KEY	BEARING	
BA	C	D	L	O	P	T	U	N-W	KEYWAY			THK.	DRIVE END	OPP. DRIVE END
									R	ES	S			
5.88	34.01	9.00	16.13	18.50	18.23	2.80	2.375	5.88	2.021	4.28	0.625	0.625	6314C3	6213C3

NOTE

1. Dimension "D" tolerance : +0.00inch - 0.03inch (143T-365T) ; +0.000inch - 0.06inch (404T-449T)
2. Dimension "U" tolerance : +0.000inch - 0.005inch (143T-215T), +0.000inch - 0.001inch (254T-449T)
3. Dimension "R" tolerance : +0.000inch - 0.015inch

APPD BY	S.K.HAN	UNIT	INCH	SUBJECT	365T	DWG SIZE	A4 ( 1:1 )
Q.P. CHK	I.K.KIM	SCALE	NONE				
CHKD BY	R.G.KIM	PROJEC'N	3rd Angle	TITLE <b>OUTLINE</b>			
DSND BY	B.Y.KIM	DATE	2019.06.05				
				REF. NO	350A1114AA	Sheet No.	of
				DWG NO	LM-T1365B3PL001	Revision No.	0

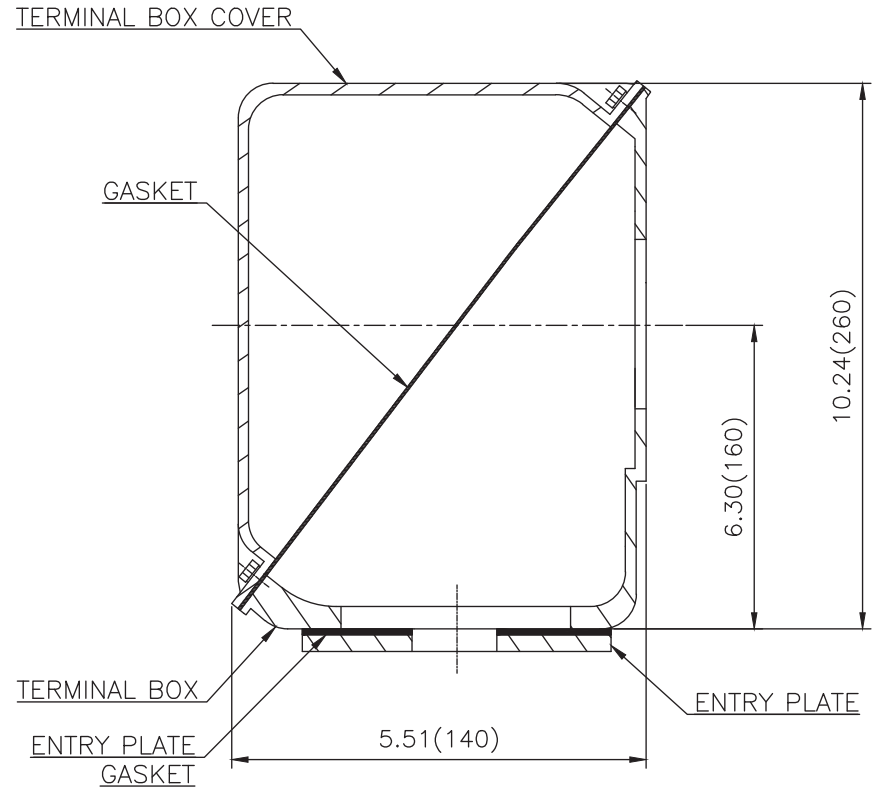
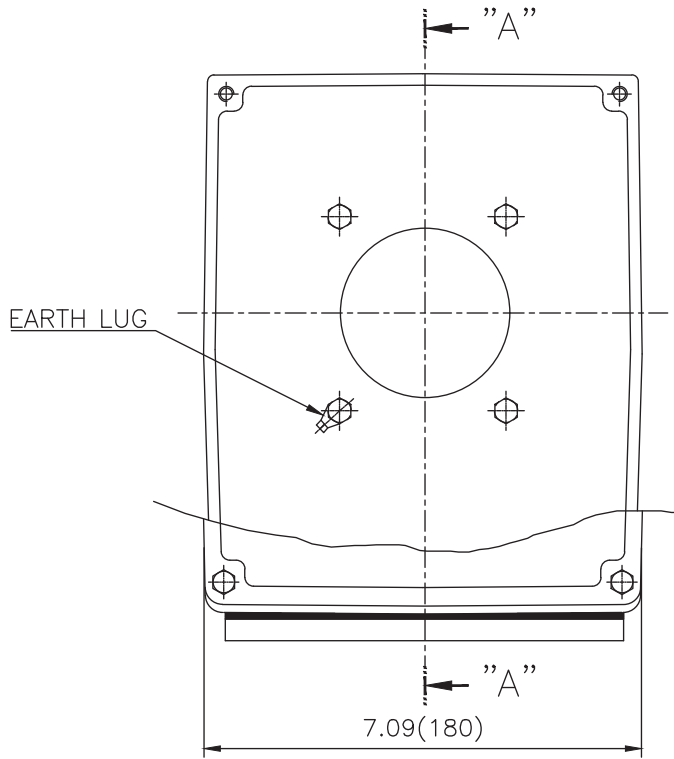


**HD HYUNDAI ELECTRIC**

본 도면은 HD현대일렉트릭(주) 재산이며 허가없이 복사할 수 없음 (취급주의)

THIS DRAWING IS PROPRIETARY TO HYUNDAI ELECTRIC. NO PART OF THIS DRAWING MAY BE REPRODUCED WITHOUT THE PERMISSION OF HYUNDAI ELECTRIC.

# Cls. I&II, Div. 2 IEEE 841



SEC. "A" - "A"

▽	50S
▽▽	12.5S
▽▽▽	3.2S
▽▽▽▽	0.4S

REV	DATE	CONTENTS	REVD BY	CHKD BY	CHKD BY	APPD BY

일반가공공차		일반계공공차	
1-4	±0.1	6-30	±0.5
4-18	±0.2	30-120	±0.8
18-63	±0.3	120-315	±1.2
63-250	±0.5	315-1000	±2.0
250-	±0.8	1000-	±3.0

Q'TY	DESCRIPTION	MATERIAL	DIMENSION	WEIGHT	PART NO.	REMARK	NO.
APPD BY	S.Y.KIM	UNIT	inch(mm)	SUBJECT	FR.360 (CAST IRON)	DWG SIZE	A3 (1:1.2)
CHKD BY		SCALE	1/1.2	TITLE			
CHKD BY	R.G.KIM	PROJEC'N	3rd Angle	MAIN TERMINAL BOX ASS'Y			
DSND BY	내승희	DATE	2023-10-19	REF. NO		Sheet No.	of
<b>HD HYUNDAI ELECTRIC</b>				DWG NO	3M-248450	Revision No.	0