

Customer :  
Project Name :  
Project No. :  
Revision No. :

# SPECIFICATION for INDUCTION MOTOR



0		For Bidding			
No.	DATE	DESCRIPTION	PREPARED BY	CHECKED BY	APPROVED BY



# AC INDUCTION MOTOR DATA SHEET

Catalog No.	HHI125-18-444T	Item No.	Rev. No. [     ]
Project Name		Project No.	Quantity                      sets

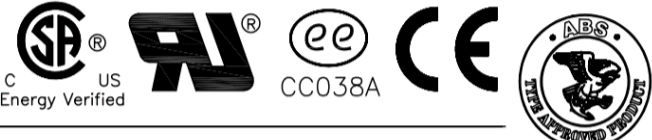
GENERAL SPECIFICATION		PERFORMANCE DATA				
Frame Size	444T	Rated Output	95 kW                      125 HP			
Type	PJP	Number of Poles	4			
Enclosure(Protection)	Totally Enclosed / IP55	Rotor Type	Squirrel Cage			
Method of Cooling	IC411(FC)	Starting Method*	D.O.L			
Rated Frequency	60 Hz	Rated Voltage	575 V	460 V	230 V	
Number of Phases	3	Current	Full Load	113.6 A	142.0 A	
Insulation Class	F		Locked-rotor**	700 %	700 %	700 %
Temp. Rise at full load (by resistance method)		Efficiency				
at 1.0 S.F	80 deg. C	50% Load		92.4 %		
Motor Location	<input type="checkbox"/> Indoor <input type="checkbox"/> Outdoor	75% Load		94.4 %		
Altitude	Less than 1,000 meter	100% Load		95.4 %		
Relative Humidity	Less than 80 %	Power Factor(p.u)				
Ambient Temp.	40 deg. C (Max.)	50% Load		0.730		
Duty Type	Continuous ( S1 )	75% Load		0.830		
Service Factor	1.15	100% Load		0.880		
Mounting	B3	Speed at Full Load		1785 r.p.m		
Bearing	Type	Anti-Friction				
	DE/N-DE	NU318 / 6316C3				
	Lubricant	Grease(Polyrex-EM)				
External Thrust	Not applicable					
Coupling Method	<input checked="" type="checkbox"/> Direct <input type="checkbox"/> V-belt	Torque				
Shaft Extension	Single	Full Load		374.9 lb.ft		
Terminal Box	Main	Locked-rotor**		140 %		
	Aux.	Breakdown**		220 %		
Box Location	Refer to Outline Drawing	Moment of Inertia (J)				
Application		Load(Max.)		1,507.479 lb.ft2		
Area classification	Hazardous	Motor		52.510 lb.ft2		
Type of Ex-Protection	Class I&II, Division 2	Sound Pressure Level (No-load & mean value at 1m from motor)				
Applicable Standard	NEMA MG1, CSA C390	85 dB(A)				
ACCESSORIES		Vibration				3.8 mm/sec (peak)
		Permissible number of consecutive starts		Cold	3 times	
				Hot	2 times	
		Paint	Munsell No.	4.0PB5.4/5.5(VL-451)		
SPARE PARTS		SUBMITTAL DRAWING				
		Outline Dimension Drawing		Motor Weight(Approx.)		
		B3	LM-T1444B3PL001	1530 lb.		
REMARK		1. Premium efficiency according to NEMA MG1				
		2. Inverter Duty @ 1.0 Service Factor & F Temperature rise				
		- 10:1 VT (20:1 VT at 50% load)				
		- 10:1 CT				
		- CHP up to 1.5 times base speed, NEMA MG1 Part31				
3. CSA Certification						
- Class I, Division 2, Group A, B, C & D						
- Class II, Division 2 Group E, F & G (Group E : up to 320Fr.)						
4. Service Factor 1.15 and Temperature rise B are applicable under the condition of sine wave power.						
5. Service Factor 1.25 is applicable to motors of 100HP or less with temperature rise F & Non-Hazardous.						
		Date	DSND	CHKD	CHKD	APPD
		2024-07-13	S.H. Lee	I.K. Kim	R.G. Kim	S.W. Kim

[Note] Others not mentioned in this data sheet shall be in accordance with maker standard.  
 Above technical data are only design values and shall be guaranteed with tolerance of applicable standard.  
 Inspection and performance test shall be done according to maker standard, if not mentioned.  
 \* In case of Inverter-Fed Motor, performance data is based on sine wave tests. It may be different from test data of Inverter combined motor.  
 \*\* Data is based on rated voltage & frequency and is expressed as a percentage of full-load value.


1	2	3	4
REV	DATE	CONTENTS	REVD BY   CHKD BY   CHKD BY   APPD BY

4.72

**CROWN TRITON**  
Premium Efficiency AC 3 Phase Motor



125HP 4P 230/460V	Cat. No. HHI125-18-444T
Model HLS444SR04	INS. Class F HD-F1 Amps 284.1/142
Type HLS Duty CONT	Code H Amb. 40°C Hertz 60Hz
Frame 444T Encl. TEFC	S.F. 1.15 RPM 1785 NEMA Nom. Eff. 95.4%
Bearing	Drive NU318 S.F.1.00 (10:1 C.T., 20:1 V.T., NEMA-MG1 Part31) 3/4 Eff. 94.4%
	Opp. 6316C3 NEMA Design B
Usable at	50Hz 125HP 380V 168.6A 1480rpm S.F.: 1.0 Eff.: 94.7% Code: E 50Hz 125HP 400/415V 160.9/156.6A 1482/1484rpm S.F.: 1.0 Eff.: 95/95.2% Code: F/G
CSA Certified for	Model LATER Type PJP Temp. Code (sine wave) Frame 140~320FR 360~400FR 440FR CLASS I, Div. 2, Gr. A, B, C & D CLASS II, Div. 2 Gr. E, F & G (Gr. E : Up to 320FR) Amb. 40°C T3C (160°C) T3B (165°C) T3A (180°C) CLASS I, Zone 2, Gr. IIA, IIB, & IIC (Gr. E : Up to 320FR) Amb. 55°C T3A (180°C) T3A (180°C) T3 (200°C)
No. -	Date - Weight 1530 lb

4M-135702
Made in Korea H1


2.36

APPD BY	S.Y.KIM	UNIT	INCH	SUBJECT	CSA Class I, Division2 Severe Duty (HHI, 364-449)	DWG SIZE
CHKD BY	I.K.KIM	SCALE	NONE			
CHKD BY	R.G.KIM	PROJEC'N	3rd Angle	TITLE <b>NAMEPLATE DRAWING</b>		
DSND BY	S.H.LEE	DATE	2024.06.07			



REF. NO	<b>4M-135702</b>	Sheet No. of
DWG NO	<b>NP-HHI125-18-444T</b>	Revision No. <b>0</b>



# PERFORMANCE CURVE

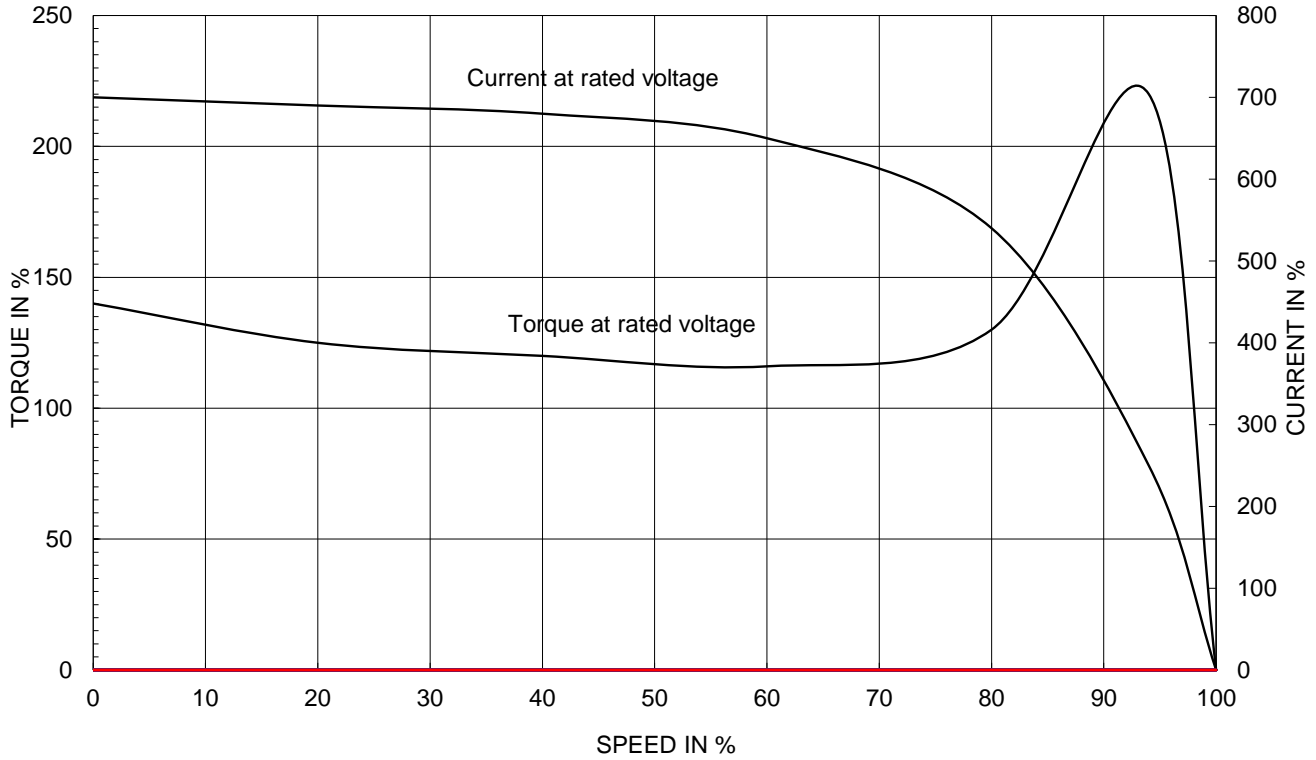
CURVE NO.

PC-HHI125-18-444T

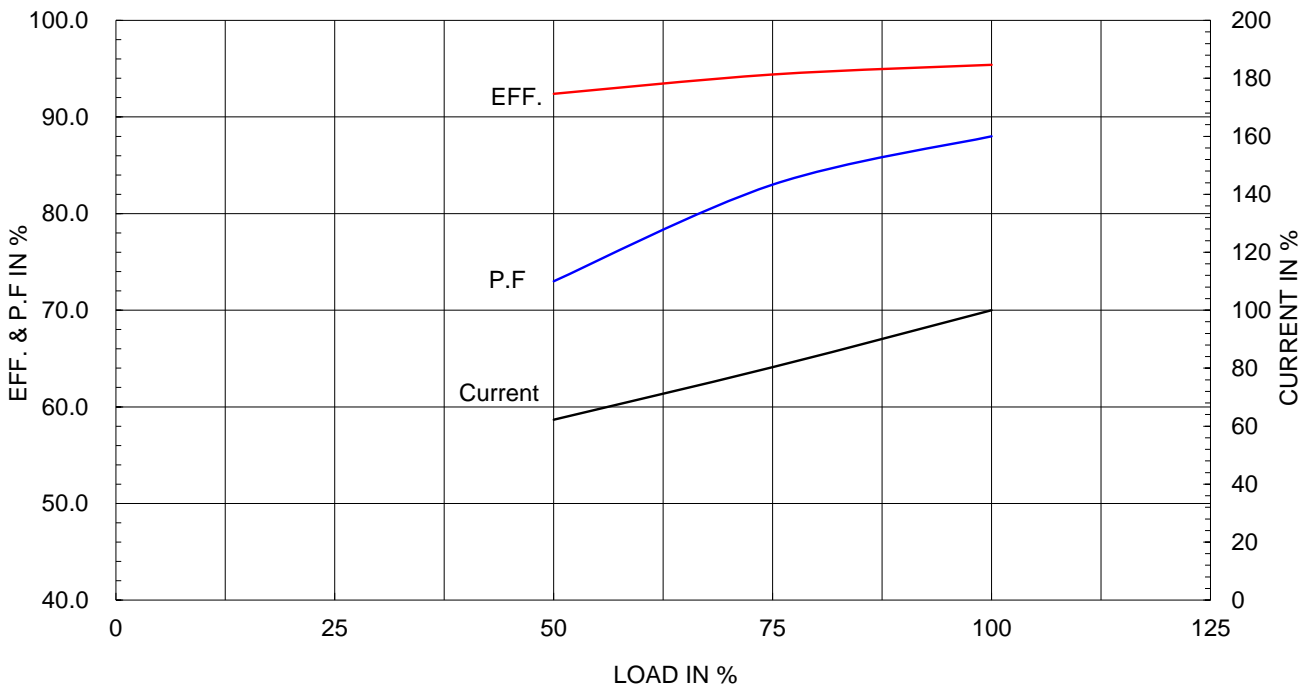
Type :	PJP	
Full Load Torque :	374.9	lb.ft
Load moment of Inertia (J) :	1507.479	lb.ft2
Motor moment of Inertia (J) :	52.510	lb.ft2

95kW	125HP	4 P	60 Hz
Speed at Full Load :			1785 RPM
Rated Voltage	575V	460V	230V
Full Load Current	113.6A	142.0A	284.1A

SPEED VS TORQUE & CURRENT CURVE



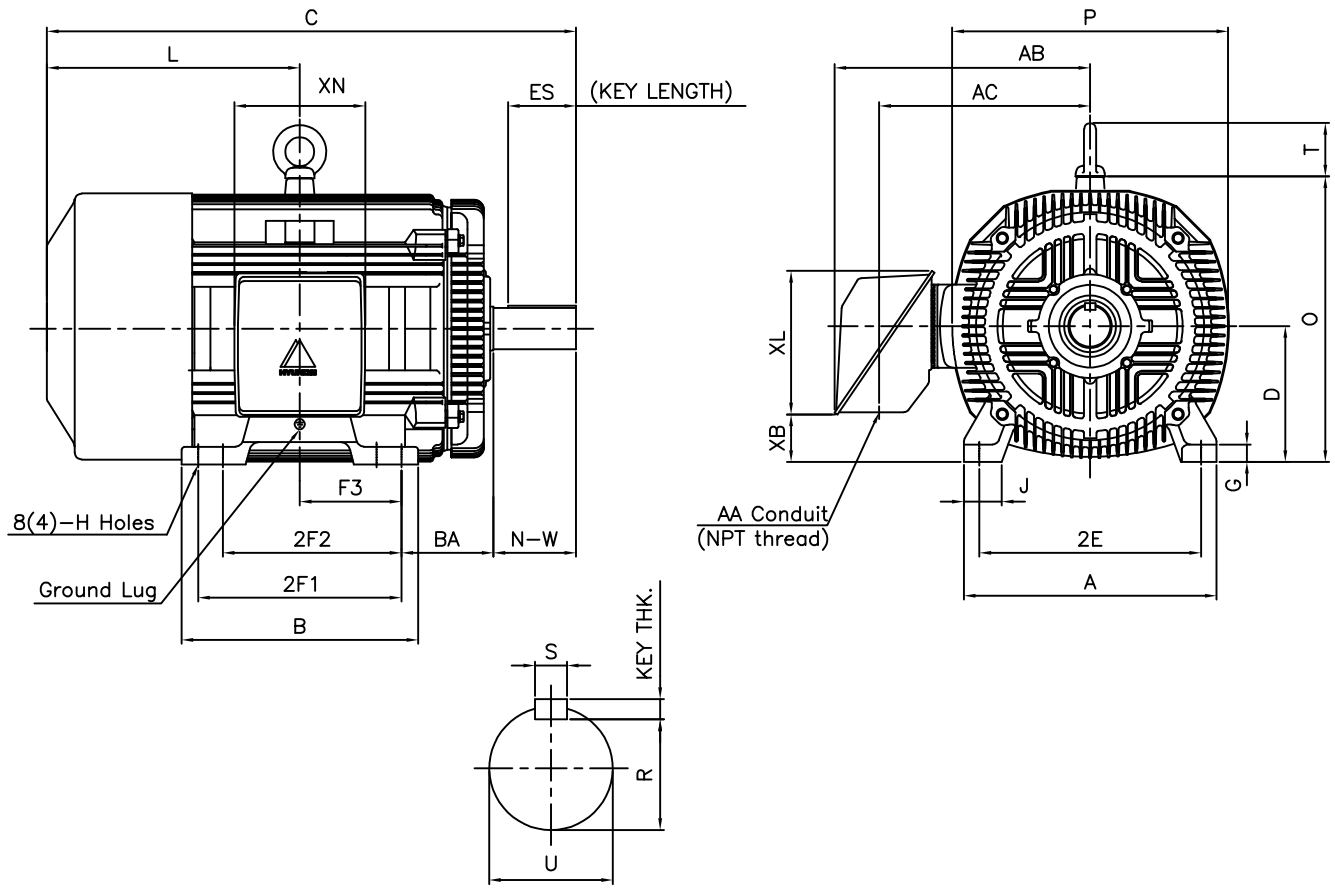
OUTPUT VS EFF., P.F & CURRENT CURVE



본 도면은 HD현대일렉트릭(주) 재산이며 허가없이 복사할 수 없음 (취급주의)

THIS DRAWING IS PROPRIETARY TO HYUNDAI ELECTRIC. NO PART OF THIS DRAWING MAY BE REPRODUCED WITHOUT THE PERMISSION OF HYUNDAI ELECTRIC.

▽	50S	REV	DATE	CONTENTS	REVD BY	CHKD BY	CHKD BY	APPD BY
▽▽	12.5S							
▽▽▽	3.2S							
▽▽▽▽	0.4S							



DIMENSIONS

unit : inch

M O U N T I N G									C O N D U I T B O X						APPROX. WGT.(LB)
A	B	2E	2F1	2F2	F3	G	J	H	AA	AB	AC	XB	XL	XN	
20.51	19.21	18.00	(16.50)	14.50	8.248	1.42	3.07	0.81	3.00	21.26	18.03	3.83	11.65	10.63	1530

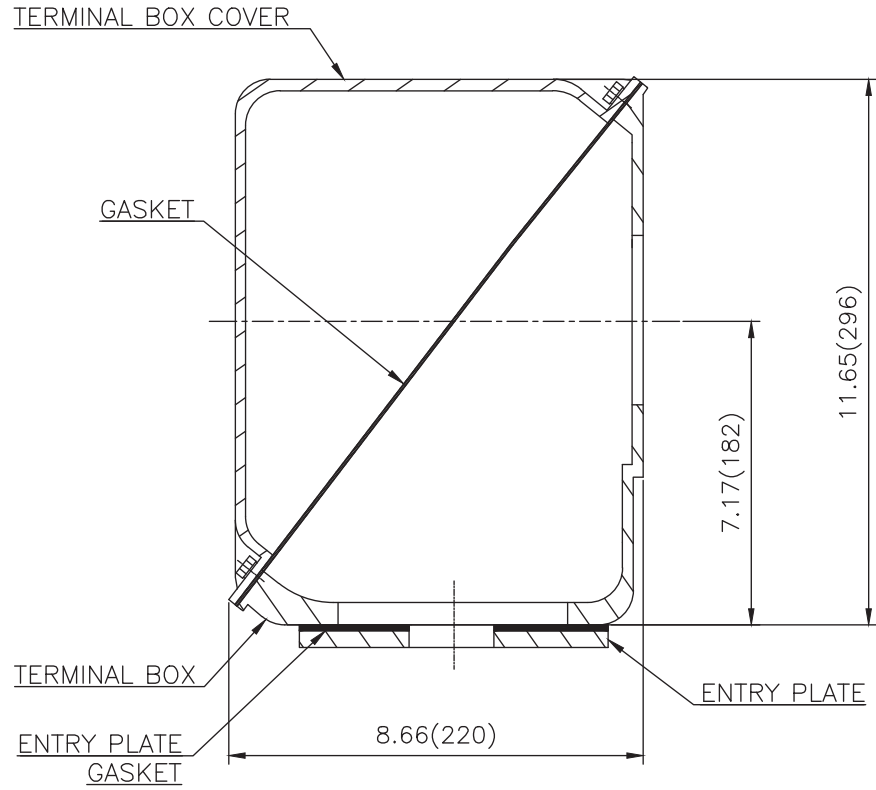
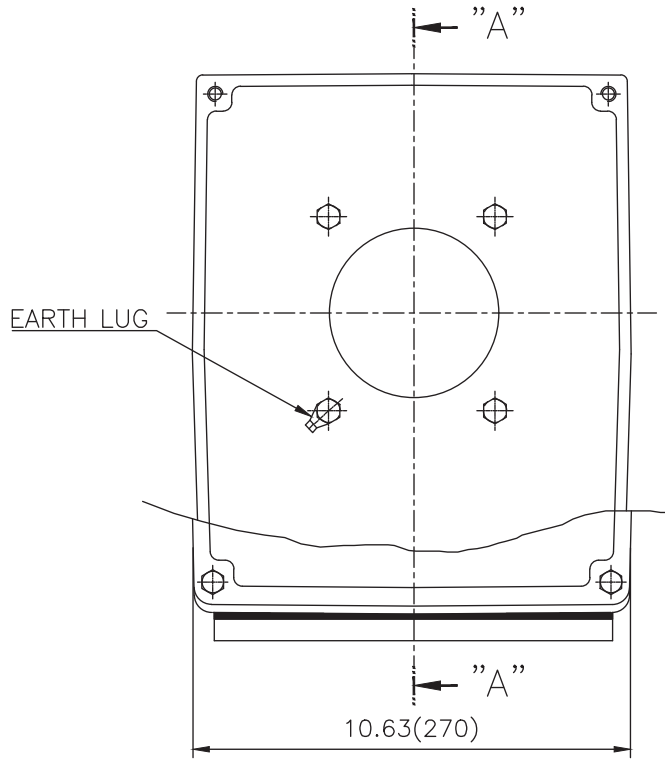
O V E R A L L							S H A F T					KEY	BEARING	
BA	C	D	L	O	P	T	U	N-W	KEYWAY			THK.	DRIVE END	OPP. DRIVE END
									R	ES	S			
7.50	45.21	11.00	20.96	23.19	22.40	4.33	3.375	8.50	2.880	6.93	0.875	0.875	6318C3 or NU318	6316C3

NOTE

1. Dimension "D" tolerance : +0.00inch - 0.03inch (143T-365T) ; +0.000inch - 0.06inch (404T-449T)
2. Dimension "U" tolerance : +0.000inch - 0.005inch (143T-215T), +0.000inch - 0.001inch (254T-449T)
3. Dimension "R" tolerance : +0.000inch - 0.015inch

APPD BY	S.K.HAN	UNIT	INCH	SUBJECT	444T	DWG SIZE	A4 ( 1:1 )
Q.P. CHK	I.K.KIM	SCALE	NONE				
CHKD BY	R.G.KIM	PROJEC'N	3rd Angle	TITLE <b>OUTLINE</b>			
DSND BY	B.Y.KIM	DATE	2019.06.05				
				REF. NO	350A1117AA	Sheet No.	of
				DWG NO	LM-T1444B3PL001	Revision No.	0

**Cls. I&II, Div. 2  
IEEE 841**



SEC. "A" - "A"

▽	50S
▽▽	12.5S
▽▽▽	3.2S
▽▽▽▽	0.4S

REV	DATE	CONTENTS	REVD BY	CHKD BY	CHKD BY	APPD BY

일반기준공차		일반재판공차	
1-4	±0.1	6-30	±0.5
4-18	±0.2	30-120	±0.8
18-63	±0.3	120-315	±1.2
63-250	±0.5	315-1000	±2.0
250-	±0.8	1000-	±3.0

Q'TY	DESCRIPTION	MATERIAL	DIMENSION	WEIGHT	PART NO.	REMARK	NO.
APPD BY	S.Y.KIM	UNIT	inch(mm)	SUBJECT	FR. 400-440 (CAST IRON)	DWG SIZE	A3 (1:1.2)
CHKD BY		SCALE	1/1.2	TITLE	MAIN TERMINAL BOX ASS'Y		
CHKD BY	R.G.KIM	PROJEC'N	3rd Angle	DATE	2023-10-19	REF. NO	Sheet No. of
DSND BY	배승희	DATE	2023-10-19	DWG NO	3M-248451	Revision No.	0

