

Customer :
 Project Name :
 Project No. :
 Revision No. :

SPECIFICATION for INDUCTION MOTOR



0		For Bidding			
No.	DATE	DESCRIPTION	PREPARED BY	CHECKED BY	APPROVED BY

AC INDUCTION MOTOR DATA SHEET

Catalog No.	HES50-36-326TSCRD	Item No.	Rev. No. []
Project Name		Project No.	Quantity sets

GENERAL SPECIFICATION		PERFORMANCE DATA				
Frame Size	326TSC	Rated Output	37 kW 50 HP			
Type	PJP	Number of Poles	2			
Enclosure(Protection)	Totally Enclosed / IP55	Rotor Type	Squirrel Cage			
Method of Cooling	IC411(FC)	Starting Method*	D.O.L			
Rated Frequency	60 Hz	Rated Voltage	575 V	460 V	230 V	
Number of Phases	3	Current	Full Load	43.7 A	54.6 A	
Insulation Class	F		Locked-rotor**	850 %	850 %	850 %
Temp. Rise at full load (by resistance method)		Efficiency				
at 1.0 S.F	80 deg. C	50% Load		90.0 %		
Motor Location	<input type="checkbox"/> Indoor <input type="checkbox"/> Outdoor	75% Load		92.0 %		
Altitude	Less than 1,000 meter	100% Load		93.0 %		
Relative Humidity	Less than 80 %	Power Factor(p.u)				
Ambient Temp.	40 deg. C (Max.)	50% Load		0.765		
Duty Type	Continuous (S1)	75% Load		0.865		
Service Factor	1.15	100% Load		0.915		
Mounting	B5	Speed at Full Load		3560 r.p.m		
Bearing	Type	Anti-Friction				
	DE/N-DE	6212ZC3 / 6212ZC3				
	Lubricant	Grease(Polyrex-EM)				
External Thrust	Not applicable					
Coupling Method	<input checked="" type="checkbox"/> Direct <input type="checkbox"/> V-belt	Torque				
Shaft Extension	Single	Full Load		73.2 lb.ft		
Terminal Box	Main	Locked-rotor**		150 %		
	Aux.	Breakdown**		230 %		
Location	Refer to Outline Drawing	Moment of Inertia (J)				
Application		Load(Max.)		49.240 lb.ft2		
Area classification	Hazardous	Motor		4.272 lb.ft2		
Type of Ex-Protection	Class I&II, Division 2	Sound Pressure Level (No-load & mean value at 1m from motor)				
Applicable Standard	NEMA MG1, CSA C390			82 dB(A)		
ACCESSORIES		Vibration				3.8 mm/sec (peak)
		Permissible number of consecutive starts		Cold	3 times	
				Hot	2 times	
		Paint	Munsell No.	4.0PB5.4/5.5(VL-451)		
SPARE PARTS		SUBMITTAL DRAWING				
		Outline Dimension Drawing		Motor Weight(Approx.)		
		B5	LM-T2326C5CLV23	570 lb.		
REMARK		<ol style="list-style-type: none"> 1. Premium efficiency according to NEMA MG1 2. Inverter Duty @ 1.0 Service Factor & F Temperature rise <ul style="list-style-type: none"> - 10:1 VT (20:1 VT at 50% load) - 10:1 CT - CHP up to 1.5 times base speed, NEMA MG1 Part31 3. CSA Certification <ul style="list-style-type: none"> - Class I, Division 2, Group A, B, C & D - Class II, Division 2 Group E, F & G (Group E : up to 320Fr.) 4. Service Factor 1.15 and Temperature rise B are applicable under the condition of sine wave power. 5. Service Factor 1.25 is applicable to motors of 100HP or less with temperature rise F & Non-Hazardous. 				
		Date	DSND	CHKD	CHKD	APPD
		2024-09-10	S.H. Lee	I.K. Kim	R.G. Kim	S.W. Kim
		<p>[Note] Others not mentioned in this data sheet shall be in accordance with maker standard.</p> <p>Above technical data are only design values and shall be guaranteed with tolerance of applicable standard.</p> <p>Inspection and performance test shall be done according to maker standard, if not mentioned.</p> <p>* In case of Inverter-Fed Motor, performance data is based on sine wave tests. It may be different from test data of Inverter combined motor.</p> <p>** Data is based on rated voltage & frequency and is expressed as a percentage of full-load value.</p>				

1	2	3	4
REV	DATE	CONTENTS	REVD BY CHKD BY CHKD BY APPD BY

4.72

CROWN TRITON G2
Premium Efficiency AC 3 Phase Motor

50HP	2P	230/460V	Cat. No.	HES50-36-326TSCRD						
Model	HLS326PR13		INS. Class	F	HD-F1	Amps	109.1/54.			
Type	HLS	Duty	CONT	Code	J	Amb.	40°C	Hertz	60Hz	
Frame	326TSC	Encl.	TEFC	S.F.	1.15	RPM	3560	NEMA Nom. Eff.	93%	
Bearing	Drive	6212ZC3		S.F.1.25 (When 100HP or less, Temp Rise F & Non-Hazardous)		3/4 Eff.	92%			
	Opp.	6212ZC3		S.F.1.00 (10:1 C.T., 20:1 V.T., NEMA-MG1 Part31)		NEMA Design	B Torque			
Usable at	50Hz 50HP 380V 72.46A 2950rpm S.F.: 1 Eff.: 92.4% Code: G									
	50Hz 50HP 400/415V 68.96/66.64A 2955/2960rpm S.F.: 1 Eff.: 92.4/92.4% Code: H/J									
CSA Certified for	Model	LATER		Type	PJP	Temp. Code	Frame	140~320FR	360~400FR	440FR
	CLASS I, Div. 2, Gr. A, B, C & D CLASS I, Zone 2, Gr. IIA, IIB, & IIC	CLASS II, Div. 2 Gr. E, F & G (Gr. E: Up to 320FR)		(sine wave)	Amb. 40°C	T3C (160°C)	T3B (165°C)	T3A (180°C)		
					Amb. 55°C	T3A (180°C)	T3A (180°C)	T3 (200°C)		
No.	-		Date	-		Weight	570 lb			

4M-136024
MARINE DUTY IEEE45

Made in Vietnam H4
Designed By HYUNDAI, Korea

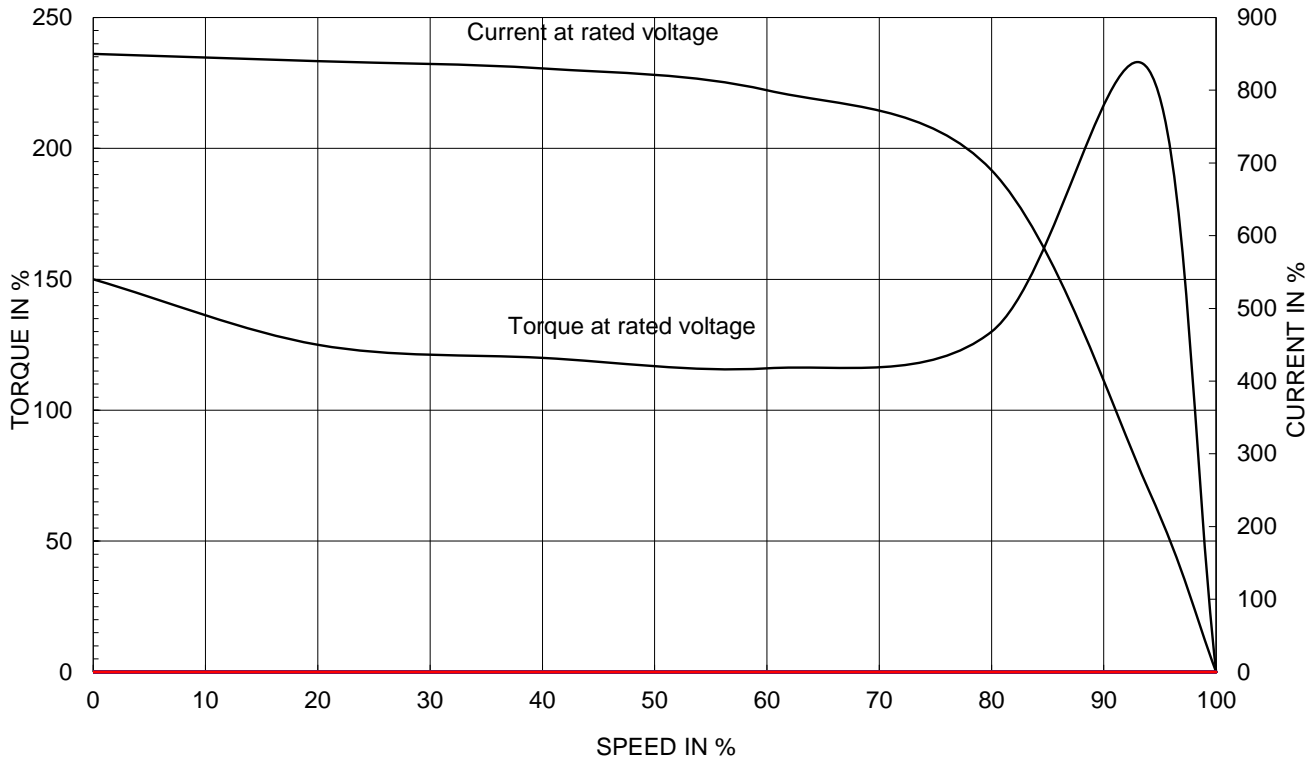
2.36

APPD BY	S.Y.KIM	UNIT	INCH	SUBJECT	CSA Class I, Division2 Severe Duty (HES, 254-326)	DWG SIZE	A4 (1:1)
CHKD BY	I.K.KIM	SCALE	NONE				
CHKD BY	R.G.KIM	PROJEC'N	3rd Angle	NAMEPLATE DRAWING			
DSND BY	S.H.LEE	DATE	2024.06.07				
				REF. NO	4M-136024	Sheet No.	of
				DWG NO	NP-HES50-36-326TSCRD	Revision No.	0

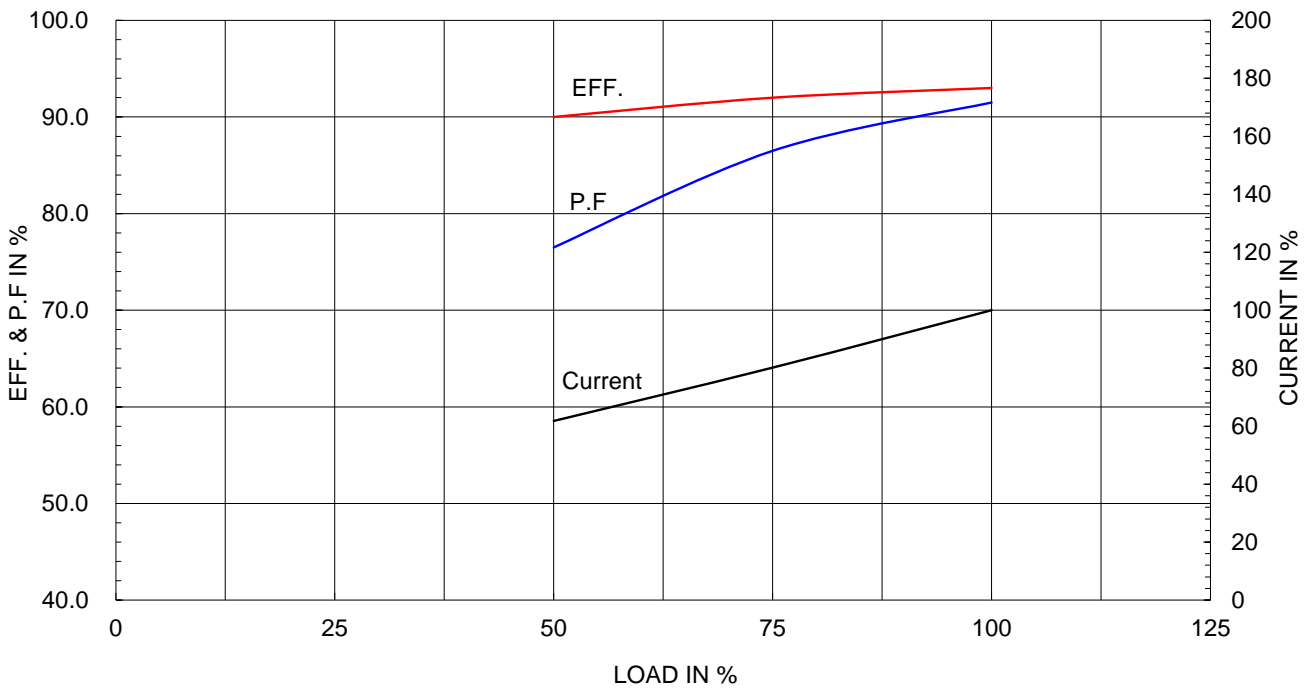
Type :	PJP
Full Load Torque :	73.2 lb.ft
Load moment of Inertia (J) :	49.240 lb.ft2
Motor moment of Inertia (J) :	4.272 lb.ft2

37kW	50HP	2 P	60 Hz
Speed at Full Load :			3560 RPM
Rated Voltage	575V	460V	230V
Full Load Current	43.7A	54.6A	109.1A

SPEED VS TORQUE & CURRENT CURVE



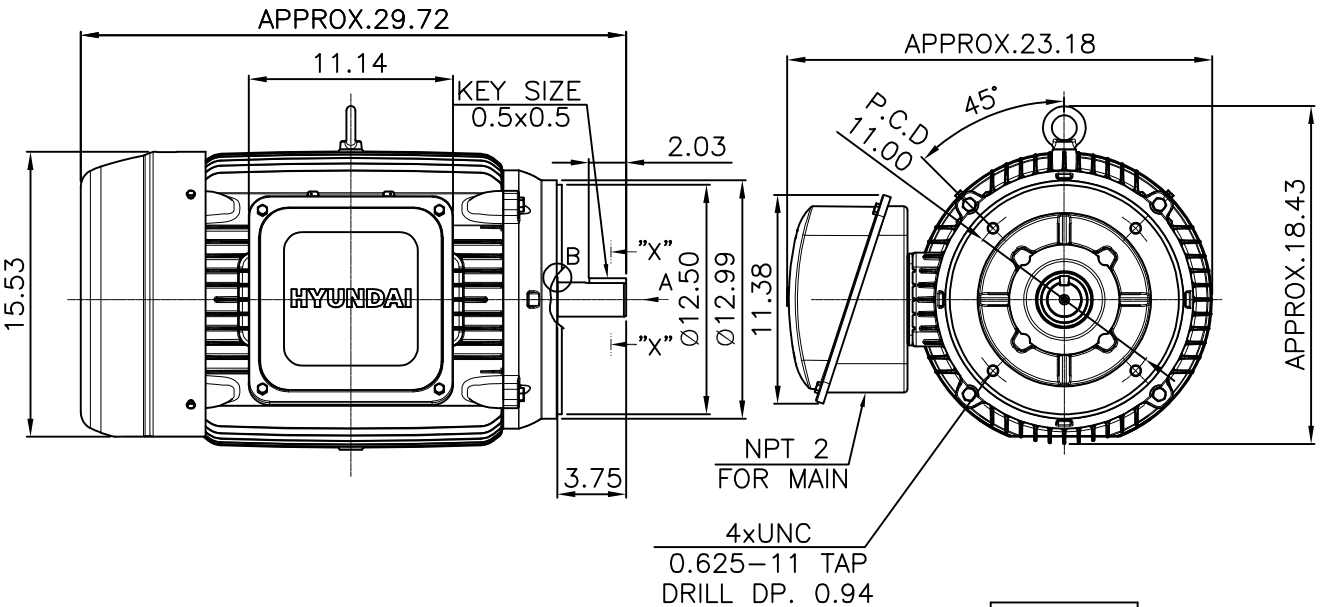
OUTPUT VS EFF., P.F & CURRENT CURVE



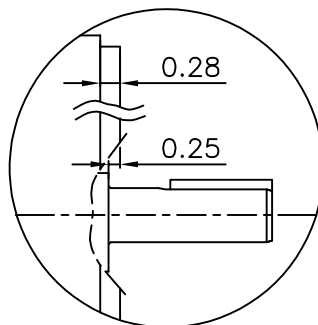
본 도면은 HD현대일렉트릭(주) 재산이며 허가없이 복사할 수 없음 (취급유의)

THIS DRAWING IS PROPRIETARY TO HYUNDAI ELECTRIC. NO PART OF THIS DRAWING MAYBE REPRODUCED WITHOUT THE PERMISSION OF HYUNDAI ELECTRIC.

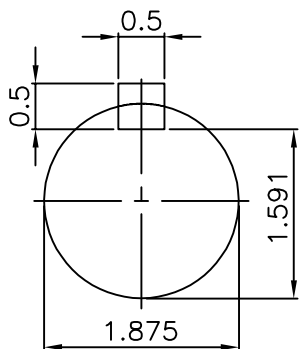
▽	50S	REV	DATE	CONTENTS	REVD BY	CHKD BY	CHKD BY	APPD BY
▽▽	12.5S							
▽▽▽	3.2S							
▽▽▽▽	0.4S							



VIEW "A"



DETAIL - B



SECTION "X-X"
SCALE 5/11

NOTE
[TOLERANCE]

- CENTER HEIGHT : +0.00inch - 0.03inch
- SHAFT DIAMETER : +0.000inch - 0.001inch
- KEYWAY DEPTH : +0.000inch - 0.015inch

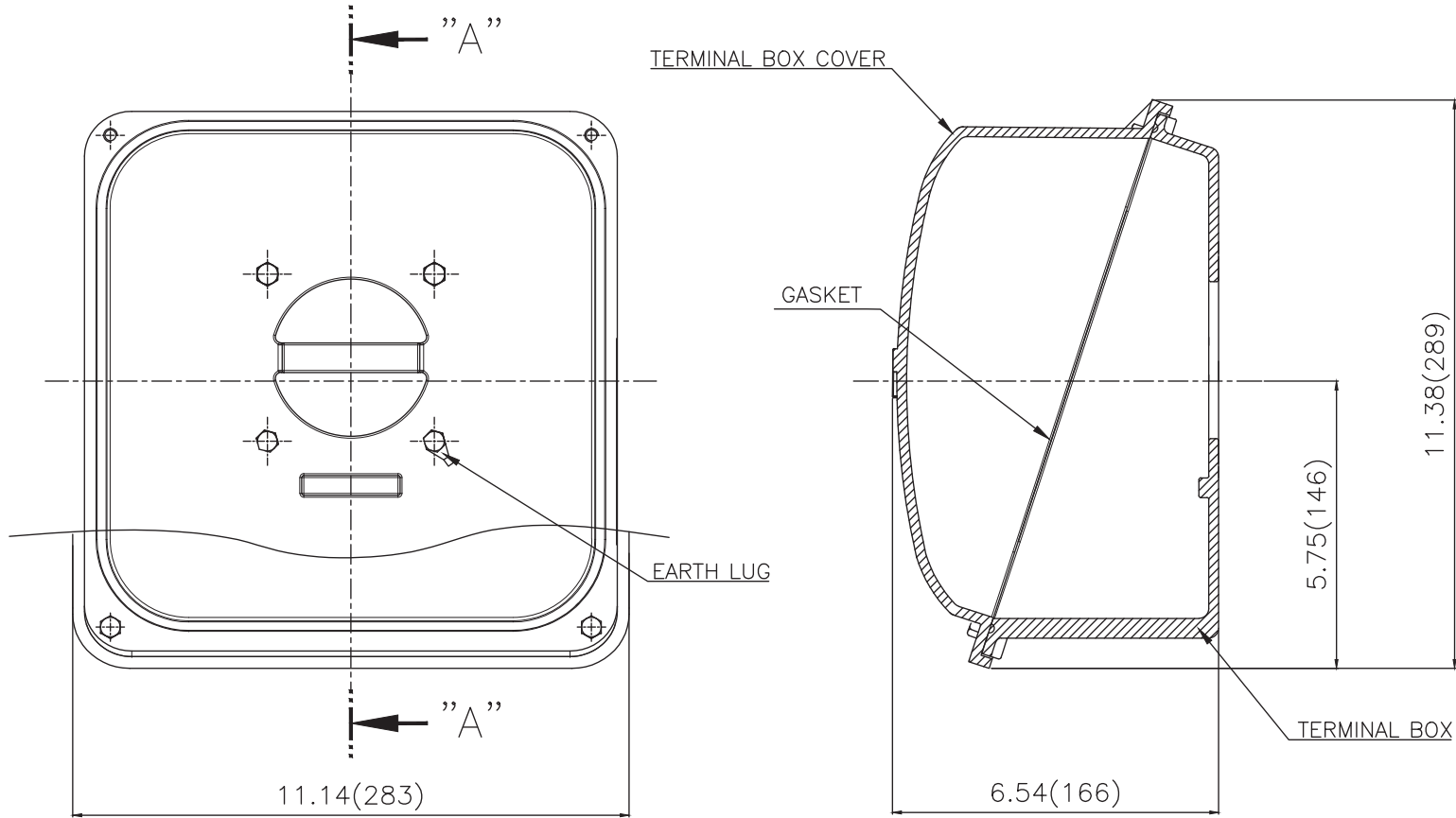
APPD BY	S.Y.KIM	UNIT	inch	SUBJECT	NEMA 326TSC	DWG SIZE	A4 (1:11)
CHKD BY	R.G.KIM	SCALE	1/11	TITLE	OUTLINE		
CHKD BY		PROJEC'N	3rd Angle				
DSND BY	전지현	DATE	2021-04-28				



REF. NO	.	Sheet No.	of
DWG NO	LM-T2326C5CLV23	Revision No.	0



**Cls. I&II, Div. 2
IEEE 841**



SEC. "A"-"A"

▽	50S
▽▽	12.5S
▽▽▽	3.2S
▽▽▽▽	0.4S

REV	DATE	CONTENTS	REVD BY	CHKD BY	CHKD BY	APPD BY

일반가공공차		일반재공공차	
1-4	±0.1	6-30	±0.5
4-18	±0.2	30-120	±0.8
18-63	±0.3	120-315	±1.2
63-250	±0.5	315-1000	±2.0
250-	±0.8	1000-	±3.0

Q'TY	DESCRIPTION	MATERIAL	DIMENSION	WEIGHT	PART NO.	REMARK	NO.
APPD BY	S.Y.KIM	UNIT	inch(mm)	SUBJECT	FR. 320 (CAST IRON)	DWG SIZE	
CHKD BY		SCALE	1/2.5	TITLE	TERMINAL BOX ASS'Y		
CHKD BY	R.G.KIM	PROJEC'N	3rd Angle	DATE	2023-10-19		
DSND BY	배승희						
REF. NO		Sheet No.	of				
DWG NO	3M-248459	Revision No.	0				

