

Customer :  
 Project Name :  
 Project No. :  
 Revision No. :

# SPECIFICATION for INDUCTION MOTOR



0		For Bidding			
No.	DATE	DESCRIPTION	PREPARED BY	CHECKED BY	APPROVED BY



# AC INDUCTION MOTOR DATA SHEET

Catalog No.	HES5-36-184TCRD	Item No.	Rev. No.	[      ]
Project Name		Project No.	Quantity	sets

GENERAL SPECIFICATION			PERFORMANCE DATA			
Frame Size	184TC		Rated Output	3.7 kW      5 HP		
Type	PJP		Number of Poles	2		
Enclosure(Protection)	Totally Enclosed	/ IP55	Rotor Type	Squirrel Cage		
Method of Cooling	IC411(FC)		Starting Method*	D.O.L		
Rated Frequency	60 Hz		Rated Voltage	575 V	460 V	230 V
Number of Phases	3		Current	Full Load	4.88 A	6.10 A
Insulation Class	F			Locked-rotor**	800 %	800 %
Temp. Rise at full load (by resistance method)			Efficiency			
at 1.0 S.F	80 deg. C		50% Load		85.5 %	
Motor Location	<input type="checkbox"/> Indoor <input type="checkbox"/> Outdoor		75% Load		87.5 %	
Altitude	Less than 1,000 meter		100% Load		88.5 %	
Relative Humidity	Less than 80 %		Power Factor(p.u)			
Ambient Temp.	40 deg. C (Max.)		50% Load		0.710	
Duty Type	Continuous ( S1 )		75% Load		0.810	
Service Factor	1.15		100% Load		0.860	
Mounting	B5		Speed at Full Load	3515 r.p.m		
Bearing	Type	Anti-Friction	Torque			
	DE/N-DE	6206ZZC3 / 6206ZZC3	Full Load	7.4 lb.ft		
	Lubricant	Grease(Polyrex-EM)	Locked-rotor**	190 %		
External Thrust	Not applicable		Breakdown**	260 %		
Coupling Method	<input checked="" type="checkbox"/> Direct <input type="checkbox"/> V-belt		Moment of Inertia (J)			
Shaft Extension	Single		Load(Max.)	6.170 lb.ft2		
Terminal Box	Main	Cast Iron	Motor	0.166 lb.ft2		
	Aux.	No	Sound Pressure Level (No-load & mean value at 1m from motor)			
Location	Refer to Outline Drawing				72 dB(A)	
Application			Vibration		3.8 mm/sec (peak)	
Area classification	Hazardous		Permissible number of consecutive starts	Cold	3 times	
Type of Ex-Protection	Class I&II, Division 2			Hot	2 times	
Applicable Standard	NEMA MG1, CSA C390		Paint	Munsell No.	4.0PB5.4/5.5(VL-451)	

ACCESSORIES

SUBMITTAL DRAWING			
Outline Dimension Drawing		Motor Weight(Approx.)	
B5	LM-T2184C5PLV23	115 lb.	

SPARE PARTS

REMARK				
1. Premium efficiency according to NEMA MG1 2. Inverter Duty @ 1.0 Service Factor & F Temperature rise -. 10:1 VT (20:1 VT at 50% load) -. 10:1 CT -. CHP up to 1.5 times base speed, NEMA MG1 Part31 3. CSA Certification -. Class I, Division 2, Group A, B, C & D -. Class II, Division 2 Group E, F & G (Group E : up to 320Fr.) 4. Service Factor 1.15 and Temperature rise B are applicable under the condition of sine wave power. 5. Service Factor 1.25 is applicable to motors of 100HP or less with temperature rise F & Non-Hazardous.				
Date	DSND	CHKD	CHKD	APPD
2024-09-10	S.H. Lee	I.K. Kim	R.G. Kim	S.W. Kim

[Note] Others not mentioned in this data sheet shall be in accordance with maker standard.  
 Above technical data are only design values and shall be guaranteed with tolerance of applicable standard.  
 Inspection and performance test shall be done according to maker standard, if not mentioned.  
 \* In case of Inverter-Fed Motor, performance data is based on sine wave tests. It may be different from test data of Inverter combined motor.  
 \*\* Data is based on rated voltage & frequency and is expressed as a percentage of full-load value.

	1	2	3	4			
	REV	DATE	CONTENTS	REVD BY	CHKD BY	CHKD BY	APPD BY

3.94

1.57

CROWN TRITON G2 Premium Efficiency AC 3 Phase Motor

Cat. No. HES5-36-184TCRD

5HP	2P	230/460V	Amps	12.2/6.1	Type	HLS	Amb.	40°C
Frame	184TC	Duty	CONT	Encl.	TEFC	Model	HLS184PR135	NEMA Nom. Eff. 88.5%
RPM	3515	Hertz	60Hz	S.F.	1.15	INS Class	F HD-F1	3/4 Eff. 87.5%
Bearing	Drive	6206ZZC3	S.F.1.25 (When 100HP or less, Temp Rise F & Non-Hazardous)				NEMA Design	B
	Opp.	6206ZZC3	S.F.1.00 (10:1 C.T., 20:1 V.T., NEMA-MG1 Part31)				Code	J
Usable at	50Hz 5HP 380V 8.12A 2895rpm S.F.: 1.15 Eff.: 87.5% Code: H							
	50Hz 5HP 400/415V 7.87/7.75A 2910/2915rpm S.F.: 1.15 Eff.: 87.5/87.5% Code: J/K							
CSA Certified for	Model	LATER	Type	PJP	Temp. Code	Frame	140-320FR	
	CLASS I, Div. 2, Gr. A, B, C & D CLASS I, Zone 2, Gr. IIA, IIB & IIC		CLASS II, Div. 2, Gr. E, F & G (Gr. E : up to 320FR)		(Sine Wave)	Amb.40°C T3C (160°C) Amb.55°C T3A (180°C)		
No.	-		Date	-		Weight	115 lb	

4M-136021  
**MARINE DUTY IEEE45**

Made in Vietnam H4  
Designed By HYUNDAI, Korea

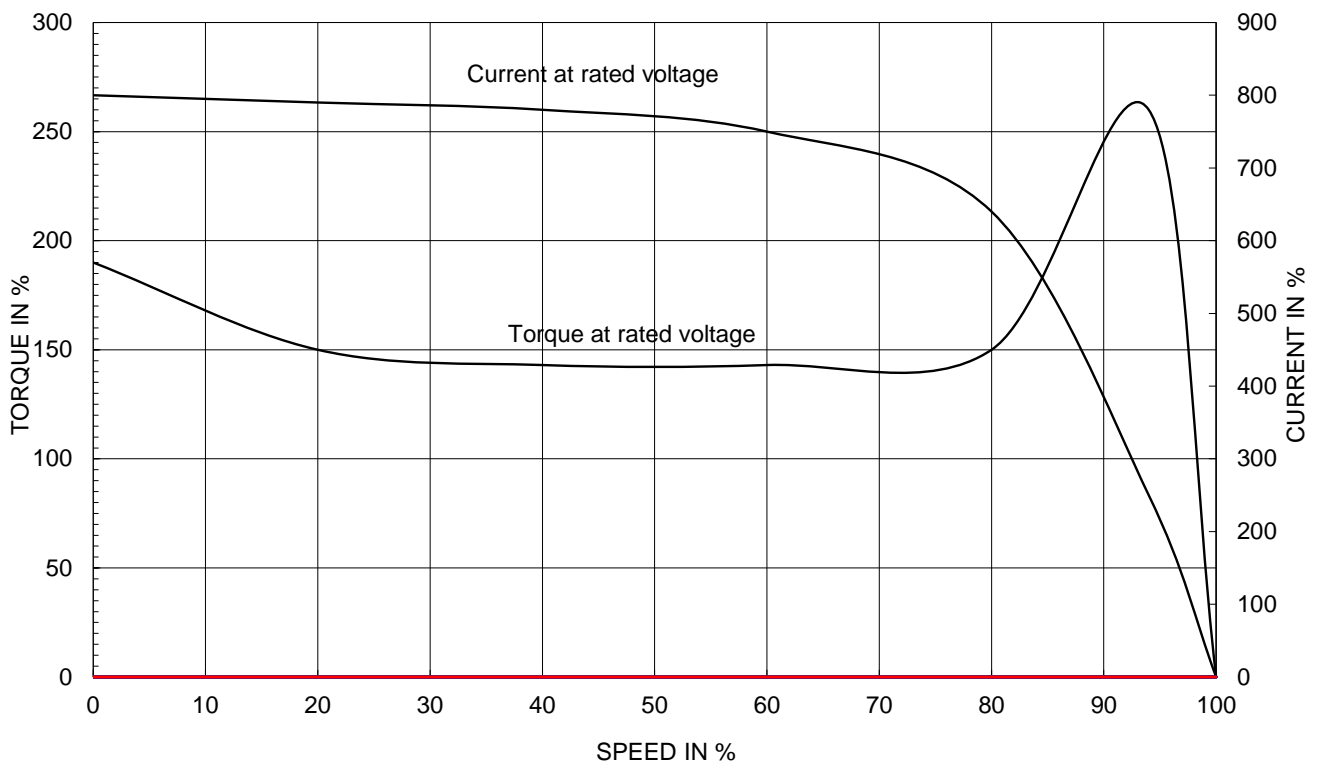
APPD BY	S.Y.KIM	UNIT	INCH
CHKD BY	I.K.KIM	SCALE	NONE
CHKD BY	R.G.KIM	PROJEC'N	3rd Angle
DSND BY	S.H.LEE	DATE	2024.06.07

SUBJECT	CSA Class I, Division2 Severe Duty (HES, 143-215)	DWG SIZE	A4 ( 1:1 )
TITLE	NAMEPLATE DRAWING		
REF. NO	4M-136021	Sheet No.	of
DWG NO	NP-HES5-36-184TCRD	Revision No.	0

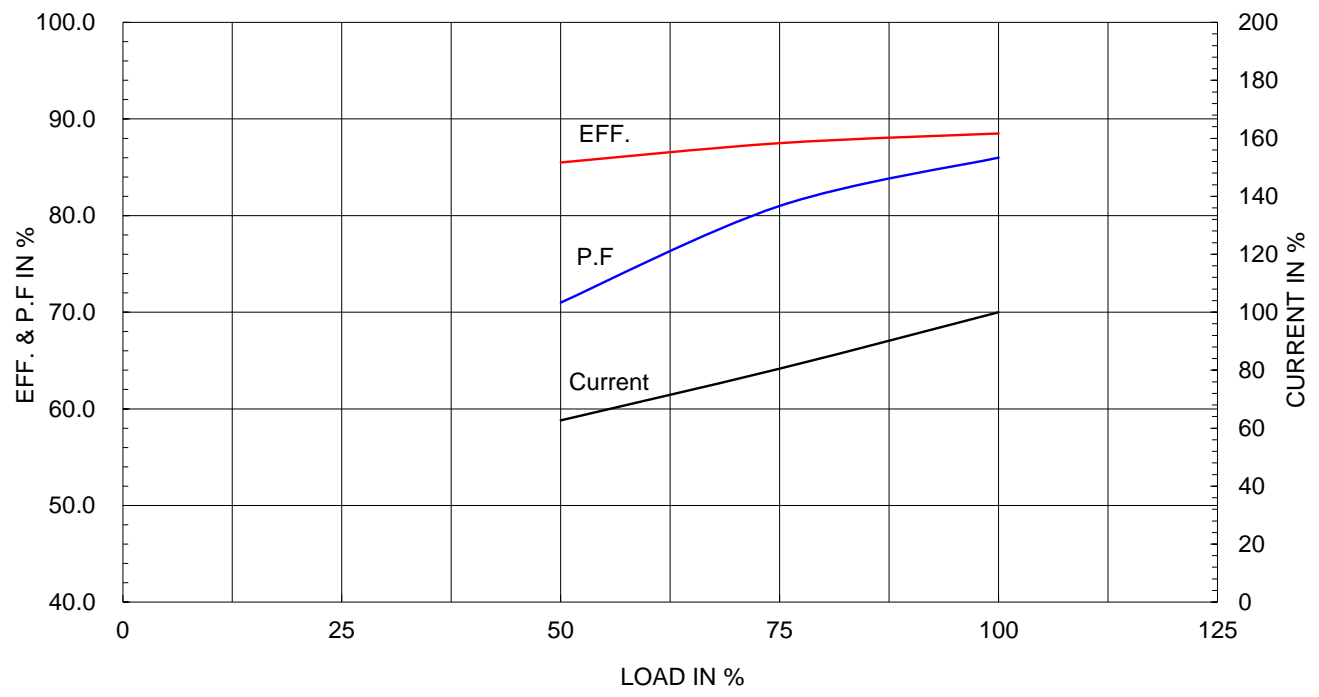
Type :	PJP
Full Load Torque :	7.4 lb.ft
Load moment of Inertia (J) :	6.170 lb.ft <sup>2</sup>
Motor moment of Inertia (J) :	0.166 lb.ft <sup>2</sup>

3.7kW 5HP	2 P	60 Hz
Speed at Full Load : 3515 RPM		
Rated Voltage	575V	460V 230V
Full Load Current	4.9A	6.1A 12.2A

SPEED VS TORQUE & CURRENT CURVE



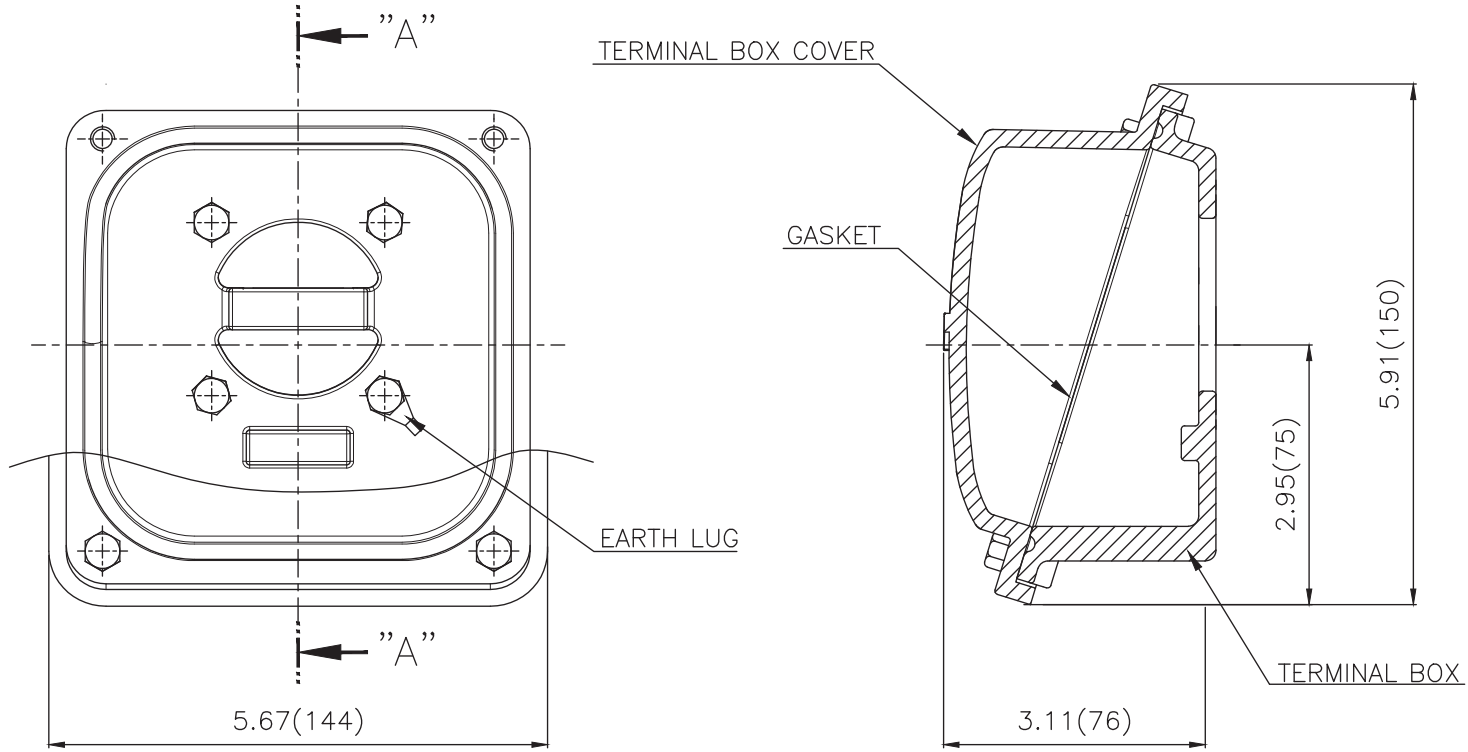
OUTPUT VS EFF., P.F & CURRENT CURVE







**Cls. I&II, Div. 2  
IEEE 841**



SEC. "A"-"A"

▽	50S
▽▽	12.5S
▽▽▽	3.2S
▽▽▽▽	0.4S

REV	DATE	CONTENTS	REVD BY	CHKD BY	CHKD BY	APPD BY

일반가공공차		일반제관공차	
1-4	±0.1	6-30	±0.5
4-18	±0.2	30-120	±0.8
18-63	±0.3	120-315	±1.2
63-250	±0.5	315-1000	±2.0
250-	±0.8	1000-	±3.0

Q'TY	DESCRIPTION	MATERIAL	DIMENSION	WEIGHT	PART NO.	REMARK	NO.
APPD BY	S.Y.KIM	UNIT	inch(mm)	SUBJECT	FR. 140-180 (CAST IRON)	DWG SIZE	
CHKD BY		SCALE	1/1.5	TITLE	TERMINAL BOX ASS'Y		
CHKD BY	R.G.KIM	PROJEC'N	3rd Angle	DATE	2023-10-19		
DSND BY	배승희						
REF. NO		Sheet No.	of	DWG NO	3M-248456	Revision No.	0

