

Customer :
 Project Name :
 Project No. :
 Revision No. :

SPECIFICATION for INDUCTION MOTOR



0		For Bidding			
No.	DATE	DESCRIPTION	PREPARED BY	CHECKED BY	APPROVED BY



AC INDUCTION MOTOR DATA SHEET

Catalog No.	HES10-18-215T	Item No.	Rev. No.	[]
Project Name		Project No.	Quantity	sets

GENERAL SPECIFICATION		PERFORMANCE DATA			
Frame Size	215T	Rated Output	7.5 kW 10 HP		
Type	PJP	Number of Poles	4		
Enclosure(Protection)	Totally Enclosed / IP55	Rotor Type	Squirrel Cage		
Method of Cooling	IC411(FC)	Starting Method*	D.O.L		
Rated Frequency	60 Hz	Rated Voltage	575 V	460 V	230 V
Number of Phases	3	Current	Full Load	10.40 A	12.99 A
Insulation Class	F		Locked-rotor**	750 %	750 %
Temp. Rise at full load (by resistance method)		Efficiency			
at 1.0 S.F	80 deg. C	50% Load		88.7 %	
Motor Location	<input type="checkbox"/> Indoor <input type="checkbox"/> Outdoor	75% Load		90.7 %	
Altitude	Less than 1,000 meter	100% Load		91.7 %	
Relative Humidity	Less than 80 %	Power Factor(p.u)			
Ambient Temp.	40 deg. C (Max.)	50% Load		0.640	
Duty Type	Continuous (S1)	75% Load		0.740	
Service Factor	1.15	100% Load		0.790	
Mounting	B3	Speed at Full Load	1770 r.p.m		
Bearing	Type	Anti-Friction	Torque		
	DE/N-DE	6208ZZC3 / 6208ZZC3	Full Load	29.9 lb.ft	
	Lubricant	Grease(Polyrex-EM)	Locked-rotor**	180 %	
External Thrust	Not applicable	Breakdown**	240 %		
Coupling Method	<input checked="" type="checkbox"/> Direct <input type="checkbox"/> V-belt	Moment of Inertia (J)			
Shaft Extension	Single	Load(Max.)	62.787 lb.ft2		
Terminal Box	Main	Cast Iron	Motor	0.712 lb.ft2	
	Aux.	No	Sound Pressure Level (No-load & mean value at 1m from motor)		
Location	Refer to Outline Drawing			62 dB(A)	
Application		Vibration		3.8 mm/sec (peak)	
Area classification	Hazardous	Permissible number of consecutive starts	Cold	3 times	
Type of Ex-Protection	Class I&II, Division 2		Hot	2 times	
Applicable Standard	NEMA MG1, CSA C390	Paint	Munsell No.	4.0PB5.4/5.5(VL-451)	

ACCESSORIES

SUBMITTAL DRAWING		
Outline Dimension Drawing	Motor Weight(Approx.)	
B3	LM-T2215B3PLV23	175 lb.



SPARE PARTS

REMARK				
1. Premium efficiency according to NEMA MG1 2. Inverter Duty @ 1.0 Service Factor & F Temperature rise -. 10:1 VT (20:1 VT at 50% load) -. 10:1 CT -. CHP up to 1.5 times base speed, NEMA MG1 Part31 3. CSA Certification -. Class I, Division 2, Group A, B, C & D -. Class II, Division 2 Group E, F & G (Group E : up to 320Fr.) 4. Service Factor 1.15 and Temperature rise B are applicable under the condition of sine wave power. 5. Service Factor 1.25 is applicable to motors of 100HP or less with temperature rise F & Non-Hazardous.				
Date	DSND	CHKD	CHKD	APPD
2024-09-10	S.H. Lee	I.K. Kim	R.G. Kim	S.W. Kim


[Note] Others not mentioned in this data sheet shall be in accordance with maker standard.
 Above technical data are only design values and shall be guaranteed with tolerance of applicable standard.
 Inspection and performance test shall be done according to maker standard, if not mentioned.
 * In case of Inverter-Fed Motor, performance data is based on sine wave tests. It may be different from test data of Inverter combined motor.
 ** Data is based on rated voltage & frequency and is expressed as a percentage of full-load value.

REV	DATE	CONTENTS	REVD BY	CHKD BY	CHKD BY	APPD BY

3.94

CROWN TRITON G2		Premium Efficiency AC 3 Phase Motor		Cat. No. HES10-18-215T	
10HP	4P	230/460V	Amps 25.99/12.9	Type HLS	Amb. 40°C
Frame 215T	Duty CONT	Encl. TEFC	Model HLS215SR235	NEMA Nom. Eff. 91.7%	
RPM 1770	Hertz 60Hz	S.F. 1.15	INS Class F HD-F1	3/4 Eff. 90.7%	
Bearing	Drive 6208ZZC3	S.F.1.25 (When 100HP or less, Temp Rise F & Non-Hazardous)			NEMA Design B Torque
	Opp. 6208ZZC3	S.F.1.00 (10:1 C.T., 20:1 V.T., NEMA-MG1 Part31)			Code J
Usable at	50Hz 10HP 380V 17.88A 1465rpm S.F.: 1 Eff.: 89.5% Code: H				
	50Hz 10HP 400/415V 17.81/18.04A 1470/1470rpm S.F.: 1 Eff.: 89.5/89.5% Code: J/K				
CSA Certified for	Model LATER	Type PJP	Temp. Code (Sine Wave)	Frame 140-320FR	CE
	CLASS I, Div. 2, Gr. A, B, C & D CLASS I, Zone 2, Gr. IIA, IIB & IIC	CLASS II, Div. 2, Gr. E, F & G (Gr. E: up to 320FR)	Amb.40°C T3C (160°C) Amb.55°C T3A (180°C)		
No. -	Date -	Weight 175 lb	 		
4M-136021 MARINE DUTY IEEE45		Made in Vietnam H4 Designed By HYUNDAI, Korea			

1.57

APPD BY	S.Y.KIM	UNIT	INCH	SUBJECT	CSA Class I, Division2 Severe Duty (HES, 143-215)	DWG SIZE
CHKD BY	I.K.KIM	SCALE	NONE			A4 (1:1)
CHKD BY	R.G.KIM	PROJEC'N	3rd Angle	TITLE NAMEPLATE DRAWING		
DSND BY	S.H.LEE	DATE	2024.06.07			
				REF. NO	4M-136021	Sheet No. of
				DWG NO	NP-HES10-18-215T	Revision No. 0



PERFORMANCE CURVE

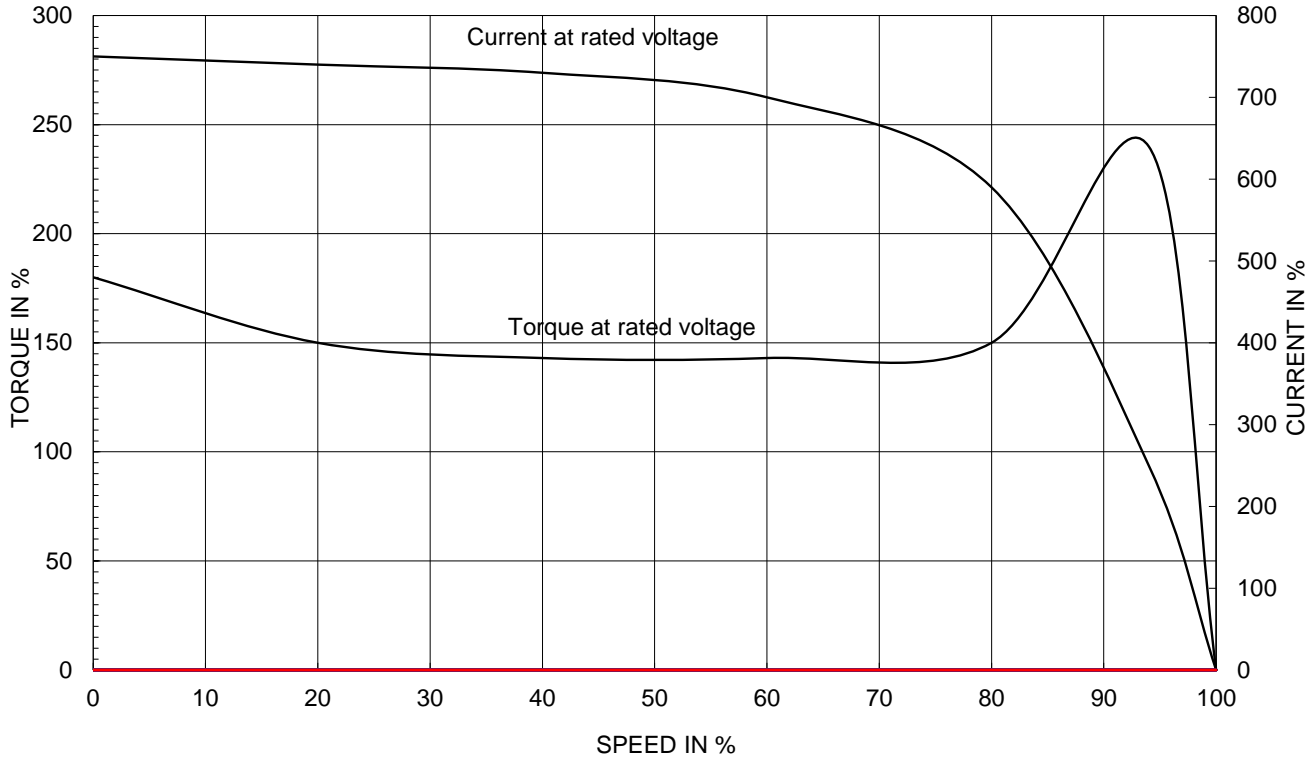
CURVE NO.

PC-HES10-18-215T

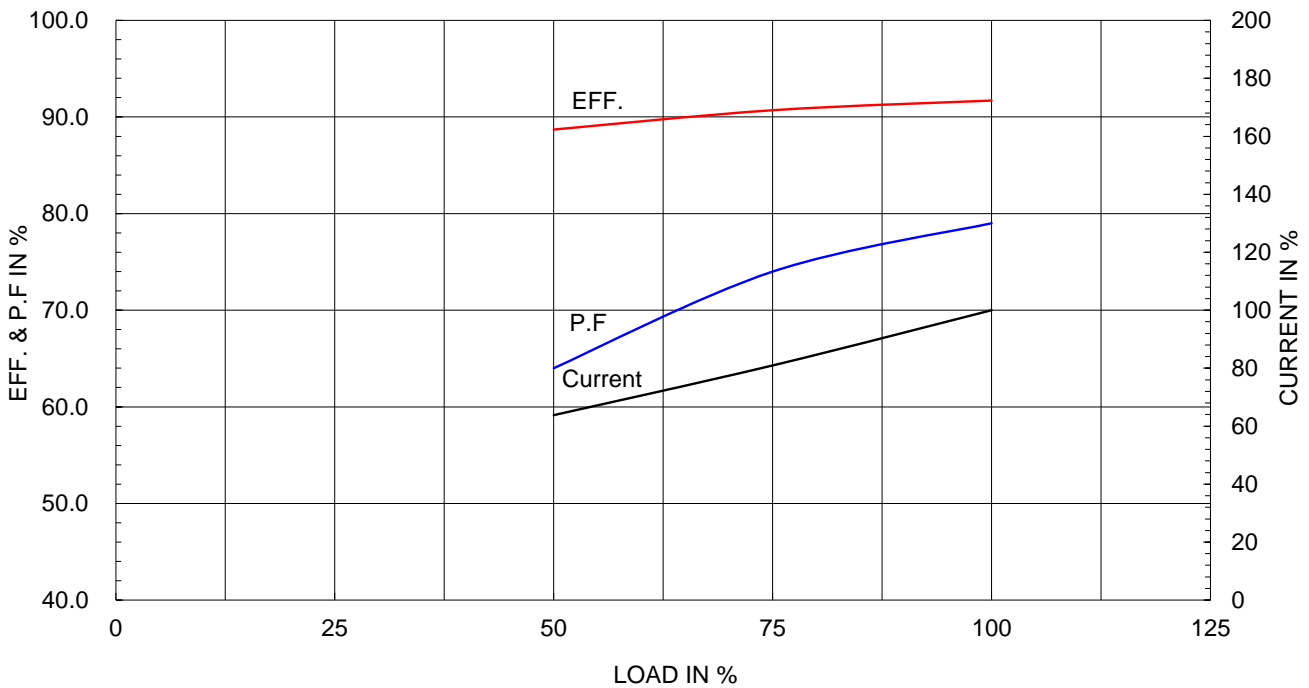
Type :	PJP
Full Load Torque :	29.9 lb.ft
Load moment of Inertia (J) :	62.787 lb.ft ²
Motor moment of Inertia (J) :	0.712 lb.ft ²

7.5kW 10HP	4 P	60 Hz
Speed at Full Load :		1770 RPM
Rated Voltage	575V	460V 230V
Full Load Current	10.4A	13.0A 26.0A

SPEED VS TORQUE & CURRENT CURVE



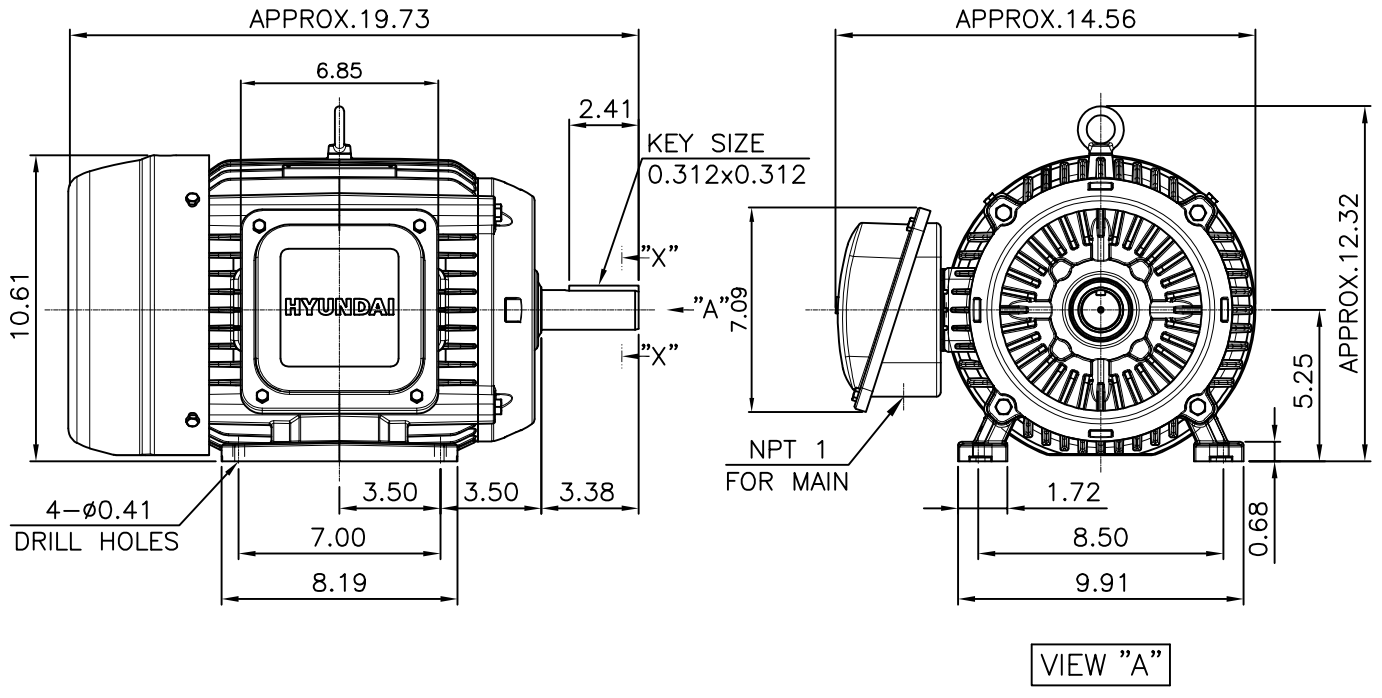
OUTPUT VS EFF., P.F & CURRENT CURVE



본 도면은 HD현대일렉트릭(주) 재산이며 허가없이 복사할 수 없음 (취급유의)

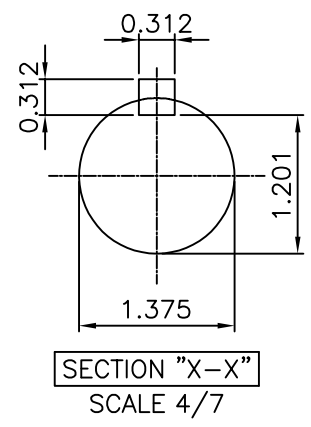
THIS DRAWING IS PROPRIETARY TO HYUNDAI ELECTRIC. NO PART OF THIS DRAWING MAYBE REPRODUCED WITHOUT THE PERMISSION OF HYUNDAI ELECTRIC.

▽	50S	REV	DATE	CONTENTS	REVD BY	CHKD BY	CHKD BY	APPD BY
▽▽	12.5S							
▽▽▽	3.2S							
▽▽▽▽	0.4S							



NOTE
[TOLERANCE]

1. CENTER HEIGHT : +0.00inch - 0.03inch
2. SHAFT DIAMETER : +0.000inch - 0.0005inch
3. KEYWAY DEPTH : +0.000inch - 0.015inch



APPD BY	S.Y.KIM	UNIT	inch	SUBJECT	NEMA 215T	DWG SIZE	A4 (1:7)
CHKD BY	R.G.KIM	SCALE	1/7	TITLE	OUTLINE	REF. NO	Sheet No. of
CHKD BY		PROJEC'N	3rd Angle				
DSND BY	주유람	DATE	2021-04-28				
				DWG NO	LM-T2215B3PLV23	Revision No. 0	

**Cls. I&II, Div. 2
IEEE 841**



▽	50S
▽▽	12.5S
▽▽▽	3.2S
▽▽▽▽	0.4S

REV	DATE	CONTENTS	REVD BY	CHKD BY	CHKD BY	APPD BY

일반기공공차		일반재관공차	
1-4	±0.1	6-30	±0.5
4-18	±0.2	30-120	±0.8
18-63	±0.3	120-315	±1.2
63-250	±0.5	315-1000	±2.0
250-	±0.8	1000-	±3.0

Q'TY	DESCRIPTION	MATERIAL	DIMENSION	WEIGHT	PART NO.	REMARK	NO.
APPD BY	S.Y.KIM	UNIT	inch(mm)	SUBJECT	FR. 210 (CAST IRON)	DWG SIZE	
CHKD BY		SCALE	1/1.5	TITLE	TERMINAL BOX ASS'Y		
CHKD BY	R.G.KIM	PROJEC'N	3rd Angle	DATE	2023-10-19		
DSND BY	배승희						
REF. NO		Sheet No.	of				
DWG NO	3M-248457	Revision No.	0				

