

Customer :
Project Name :
Project No. :
Revision No. :

SPECIFICATION for INDUCTION MOTOR



0		For Bidding			
No.	DATE	DESCRIPTION	PREPARED BY	CHECKED BY	APPROVED BY



AC INDUCTION MOTOR DATA SHEET

Explosion Proof type

Catalog No.	IXHH11.5-36-143T	Item No.		Rev. No.	[]
Project Name		Project No.		Quantity	sets

GENERAL SPECIFICATION		PERFORMANCE DATA			
Frame Size	143T	Rated Output	1.1 kW	1.5 HP	
Type	XJP	Number of Poles	2		
Enclosure(Protection)	Totally Enclosed / IP55	Rotor Type	Squirrel Cage		
Method of Cooling	IC411(FC)	Starting Method*	D.O.L		
Rated Frequency	60 Hz	Rated Voltage	575 V	460 V	230 V
Number of Phases	3	Current	Full Load	1.57 A	1.96 A
Insulation Class	F		Locked-rotor**	1000 %	1,000 %
Temp. Rise at full load (by resistance method)		Efficiency			
at 1.0 S.F	80 deg. C	50% Load		81.0 %	
Motor Location	<input type="checkbox"/> Indoor <input type="checkbox"/> Outdoor	75% Load		83.0 %	
Altitude	Less than 1,000 meter	100% Load		84.0 %	
Relative Humidity	Less than 80 %	Power Factor(p.u)			
Ambient Temp.	40 deg. C (Max.)	50% Load		0.690	
Duty Type	Continuous (S1)	75% Load		0.790	
Service Factor	1.15	100% Load		0.840	
Mounting	B3	Speed at Full Load		3485 r.p.m	
Bearing	Type	Anti-Friction		Torque	
	DE/N-DE	6205ZZC3 / 6204ZZC3		Full Load	2.2 lb.ft
	Lubricant	Grease(Polyrex-EM)		Locked-rotor**	185 %
External Thrust	Not applicable		Breakdown**	260 %	
Coupling Method	<input checked="" type="checkbox"/> Direct <input type="checkbox"/> V-belt	Moment of Inertia (J)			
Shaft Extension	Single	Load(Max.)		3.790 lb.ft2	
Terminal Box	Main	Cast Iron		Motor	
	Aux.	No		0.033 lb.ft2	
	Location	Refer to Outline Drawing			
Application		Sound Pressure Level (No-load & mean value at 1m from motor)			
Area classification	Hazardous	Vibration		73 dB(A)	
Type of Ex-Protection	Class I&II, Division 1	Permissible number of consecutive starts		Cold	0 times
Applicable Standard	NEMA MG1, CSA C390, UL674			Hot	0 times
ACCESSORIES		Paint	Munsell No.	4.0PB5.4/5.5(VL-451)	

ACCESSORIES	SUBMITTAL DRAWING
*. W.T.D.(Thermostat, 145°C) : 1EA/Ph.	Outline Dimension Drawing \ Motor Weight(Approx.)
	B3 LM-U0143B3TL001 64 lb.

REMARK				
1. Premium efficiency according to NEMA MG1				
2. Inverter Duty @ 1.0 Service Factor & Ambient max 45°C				
- CT 10.5Hz to 60Hz (10:1 CT at 1hour Duty)				
- 10:1 VT (20:1 VT at 50% load)				
- CHP up to 1.5 times base speed, NEMA MG1 Part31				
3. Class I, Division 1, Group C&D				
- Temp.Code(Sine wave) : T2C at 40°C Amb./T2B at 55°C Amb.				
T4 with Winding Temperature Detector				
4. Class II, Division 1, Group F&G				
- Temp.Code(Sine wave) : T3B				
Date	DSND	CHKD	CHKD	APPD
2024-08-08	S.H. Lee	I.K. Kim	R.G. Kim	S.W. Kim

[Note] Others not mentioned in this data sheet shall be in accordance with maker standard.
 Above technical data are only design values and shall be guaranteed with tolerance of applicable standard.
 Inspection and performance test shall be done according to maker standard, if not mentioned.
 * In case of Inverter-Fed Motor, performance data is based on sine wave tests. It may be different from test data of Inverter combined motor.
 ** Data is based on rated voltage & frequency and is expressed as a percentage of full-load value.

1	2	3	4
REV	DATE	CONTENTS	REVD BY


4.02

CROWN TRITON **Explosion Proof**   

Premium Efficiency AC 3 Phase Motor

1.5HP	2P	230/460V	Cat. No.	IXHHI1.5-36-143T					
Model	LATER		INS. Class	F	HD-F1	Amps	3.91/1.96	NEMA Nom. Eff.	84%
Type	XJP	Duty	CONT	Code	L	Hertz	60Hz	3/4 Eff.	83%
Frame	143T	Encl.	TEFC	RPM	3485	Amb.	40°C		
<input type="checkbox"/>	Drive	6205ZZC3	S.F.	1.15	on sine wave power	NEMA Design	B	<input type="checkbox"/>	
	Opp.	6204ZZC3	S.F.	1.00	on PWM or IGBT power				
Usable at	50Hz 1HP 380V 1.9A 2900rpm S.F.: 1.0 Eff.: 77.4% Code: L								
	50Hz 1HP 400/415V 1.9/1.8A 2910/2915rpm S.F.: 1.0 Eff.: 77.4/77.4% Code: L/L								
UL Certified for	Class I, Div.1, Gr. C&D / Class I, Zone1, Gr. IIA & IIB				Temp. Code	T2C at 40°C Amb. / T2B at 55°C Amb.			
	10:1VT(20:1 at 50% load) CT 10.5Hz to base Hz(10:1 1hour duty at lowest RPM)				(sine wave)				
No.	-	Date	-	Weight	64 lb				
NP249A7177VXP (NEMA 140~210Fr.)		MADE IN KOREA H3							

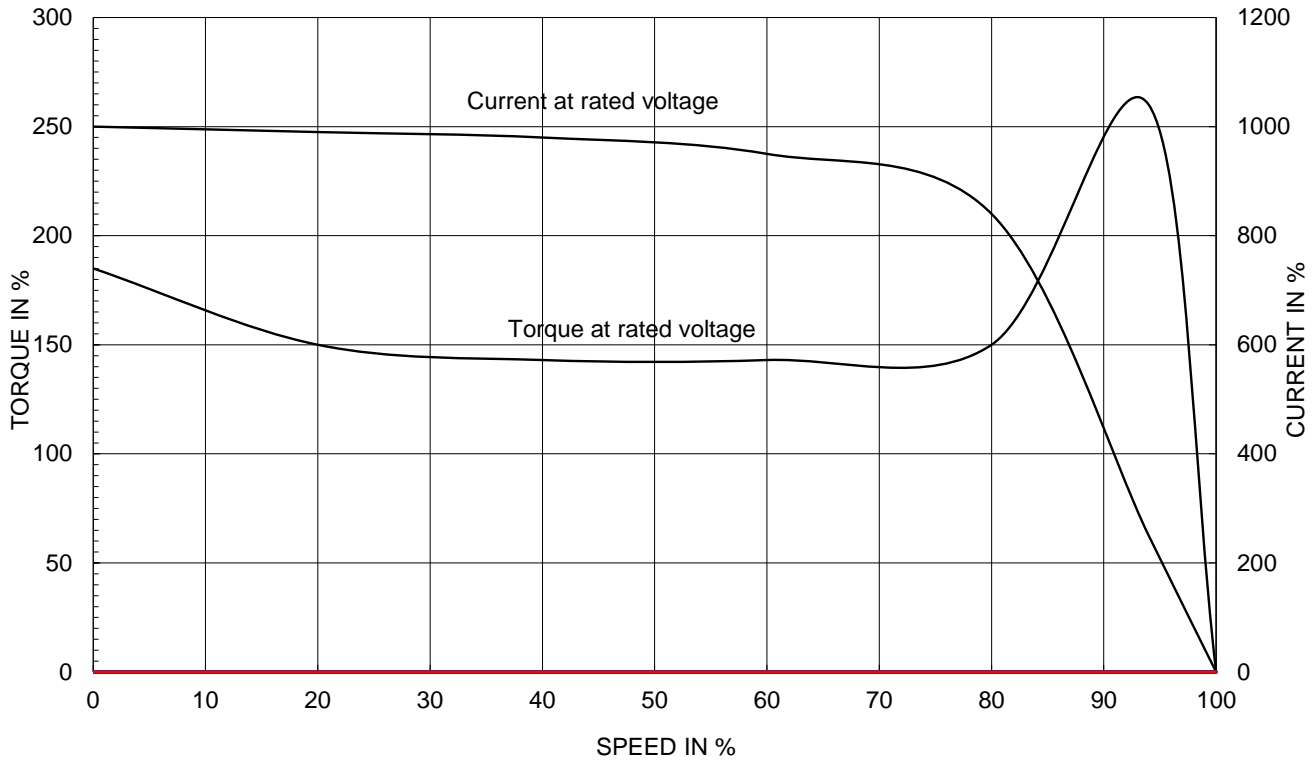
1.81

APPD BY	S.Y.KIM	UNIT	INCH	SUBJECT	UL Class I, Division1 (IXHHI)	DWG SIZE	A4 (1:1)
CHKD BY	I.K.KIM	SCALE	NONE	TITLE	NAMEPLATE DRAWING		
CHKD BY	R.G.KIM	PROJEC'N	3rd Angle				
DSND BY	S.H.LEE	DATE	2024.06.07				
				REF. NO	NP249A7177V	Sheet No.	of
				DWG NO	NP-IXHHI1.5-36-143T	Revision No.	0

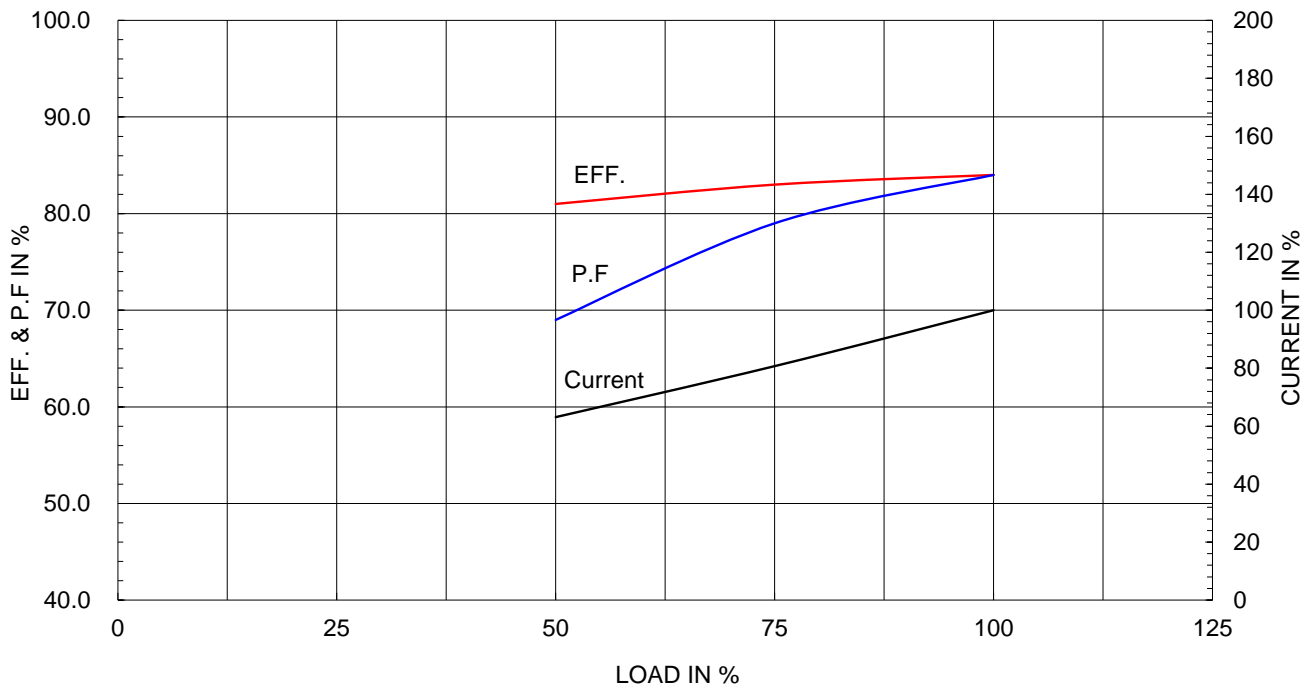
Type :	XJP
Full Load Torque :	2.2 lb.ft
Load moment of Inertia (J) :	3.790 lb.ft ²
Motor moment of Inertia (J) :	0.033 lb.ft ²

1.1kW	1.5HP	2 P	60 Hz
Speed at Full Load :			3485 RPM
Rated Voltage	575V	460V	230V
Full Load Current	1.6A	2.0A	3.9A

SPEED VS TORQUE & CURRENT CURVE

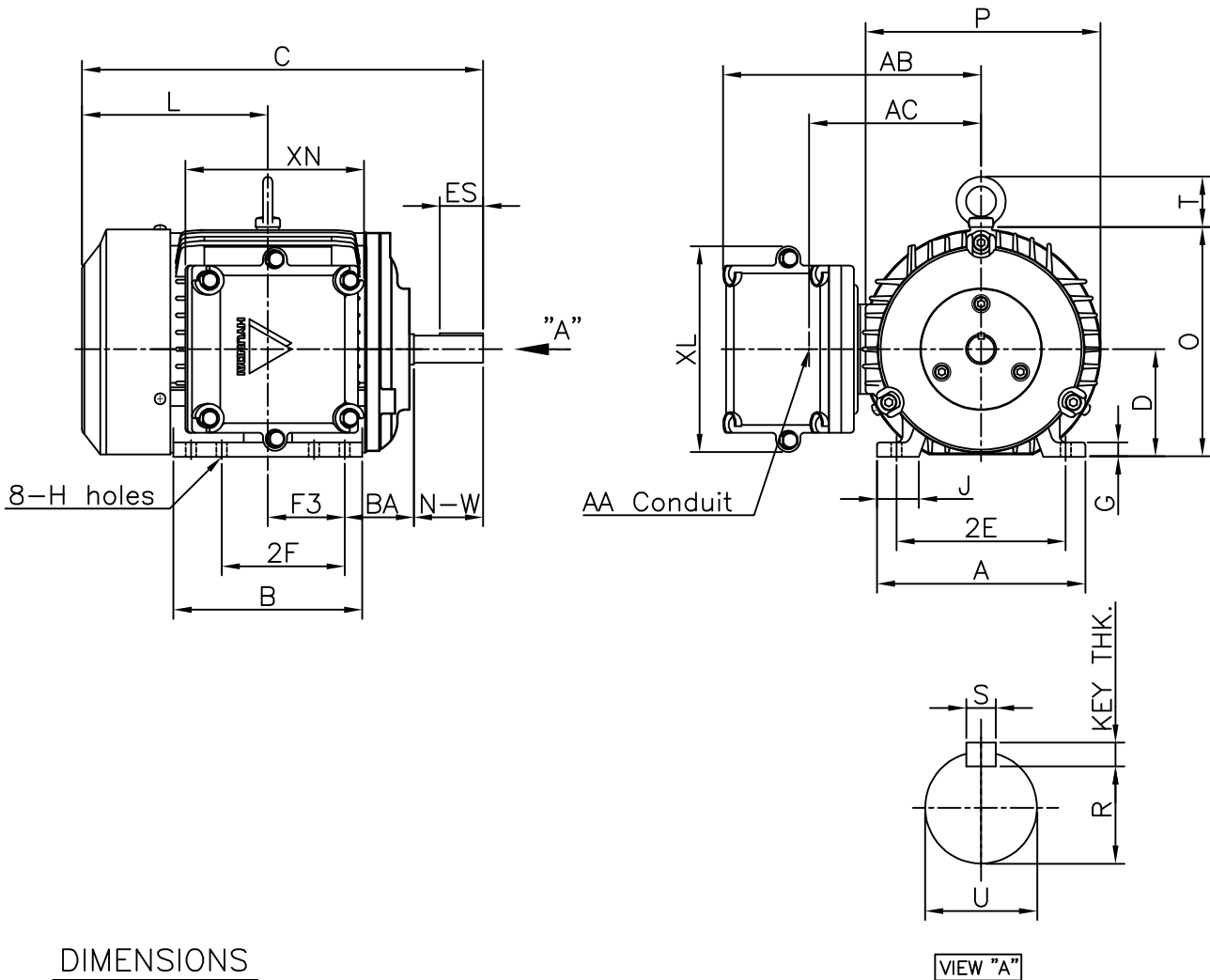


OUTPUT VS EFF., P.F & CURRENT CURVE



▽	50S	REV	DATE	CONTENTS	REVD BY	CHKD BY	CHKD BY	APPD BY
▽▽	12.5S							
▽▽▽	3.2S							
▽▽▽▽	0.4S							

Class I Division 1



DIMENSIONS

VIEW "A"

MOUNTING									CONDUIT BOX						APPROX. WGT.(lb)
A	B	2E	-	2F	F3	G	J	H	AA	AB	AC	XB	XL	XN	
6.78	6.15	5.50	-	4.00	2.50	0.47	1.36	0.34	0.75	8.39	5.59	-	6.69	5.98	64

OVERALL									SHAFT			KEY THK.	BEARING	
BA	C	D	L	O	P	T	U	N-W	R	ES	S		DRIVE END	OPP. DRIVE END
2.25	13.05	3.50	6.05	7.46	7.64	1.63	0.875	2.25	0.771	1.41	0.188	0.188	6205ZZ	6204ZZ

NOTE

1. Dimension "D" tolerance : +0.00inch - 0.03inch (143T-365T) ; +0.000inch - 0.06inch (404T-449T)
2. Dimension "U" tolerance : +0.000inch - 0.005inch (143T-215T), +0.000inch - 0.001inch (254T-449T)
3. Dimension "R" tolerance : +0.000inch - 0.015inch

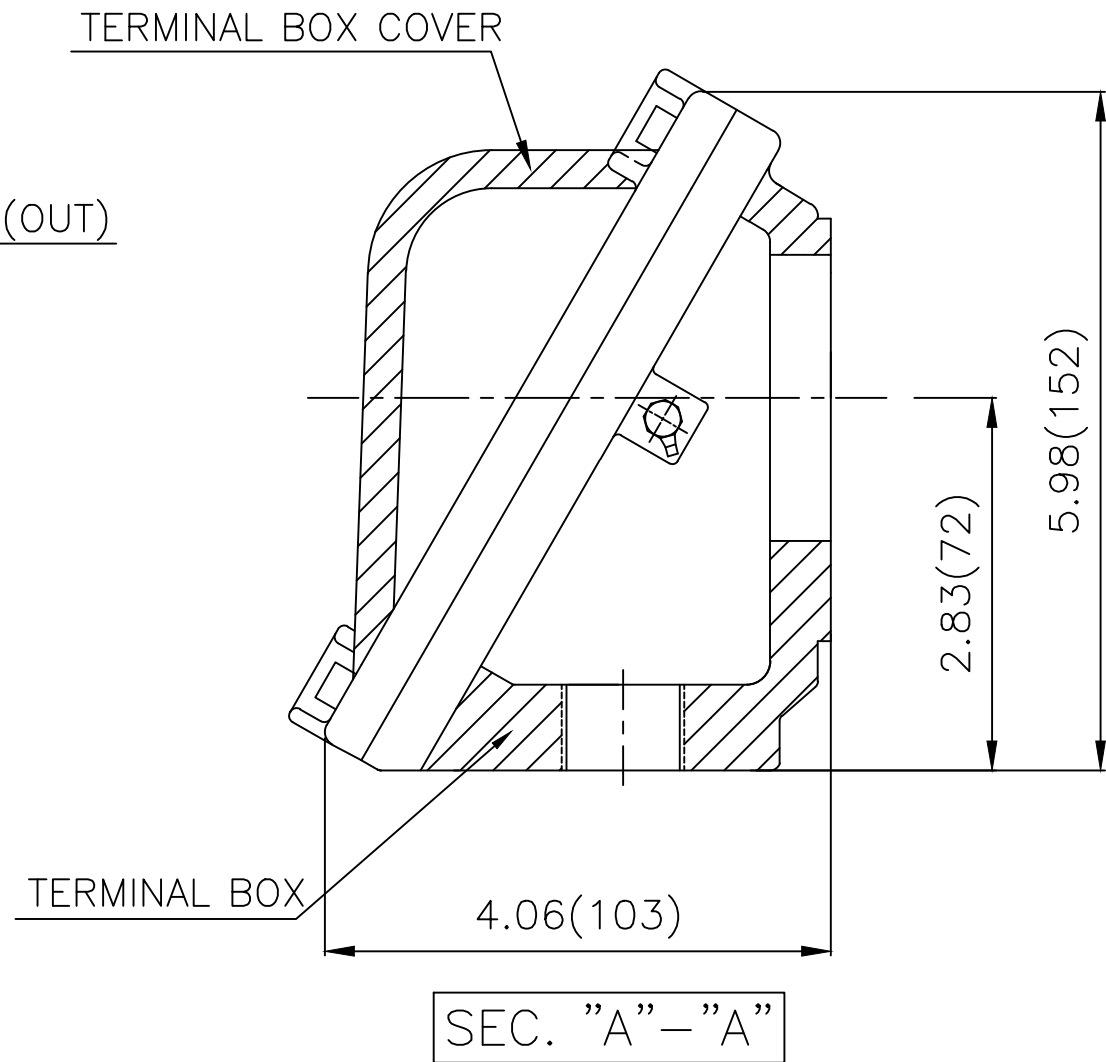
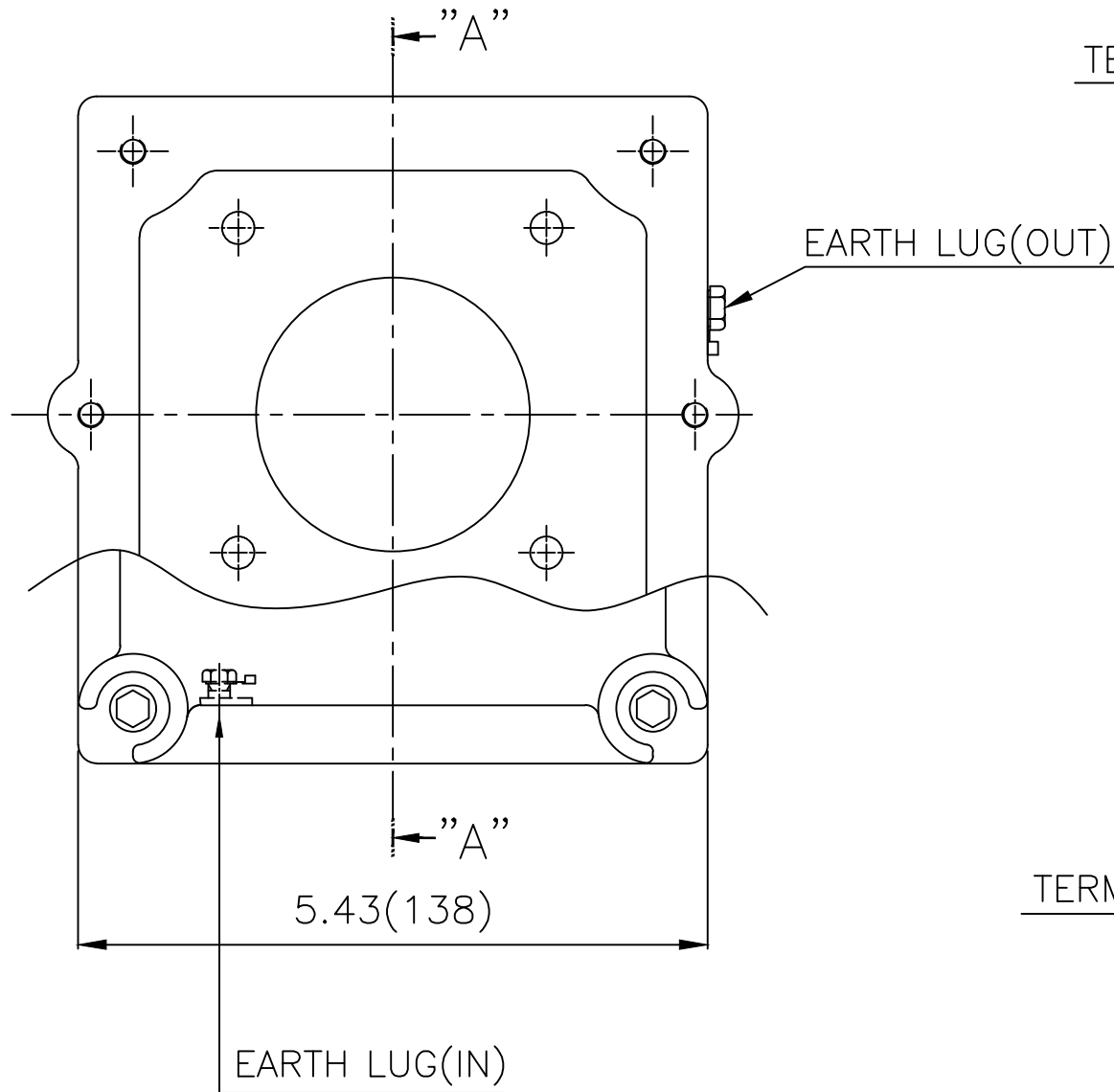
APPD BY	S.Y.KIM	UNIT	inch	SUBJECT	NEMA 143T	DWG SIZE
CHKD BY	R.G.KIM	SCALE	1/10	TITLE	OUTLINE	A4 (16)
CHKD BY		PROJEC'N	3rd Angle			
DSND BY	J.H.JEON	DATE	2021-04-15			



REF. NO	.	Sheet No.	of
DWG NO	LM-U0143B3TL001	Revision No.	0



Cls. I Div. 1



▽	50S
▽▽	12.5S
▽▽▽	3.2S
▽▽▽▽	0.4S

REV	DATE	CONTENTS	REVD BY	CHKD BY	CHKD BY	APPD BY

일반가공공차		일반제관공차	
1-4	±0.1	6-30	±0.5
4-18	±0.2	30-120	±0.8
18-63	±0.3	120-315	±1.2
63-250	±0.5	315-1000	±2.0
250-	±0.8	1000-	±3.0

Q'TY	DESCRIPTION	MATERIAL	DIMENSION	WEIGHT	PART NO.	REMARK	NO.
APPD BY	S.Y.KIM	UNIT	lφφh(mm)	SUBJECT	NEMA FR. 180~210(CAST IRON)	DWG SIZE	A3 (1:1.5)
CHKD BY	R.G.KIM	SCALE	1/1.5	TITLE	MAIN TERMINAL BOX ASS'Y		
CHKD BY		PROJEC'N	3rd Angle	REF. NO		Sheet No.	of
DSND BY	김은진	DATE	2023-10-24	DWG NO	3M-248496	Revision No.	0

