

Customer :  
 Project Name :  
 Project No. :  
 Revision No. :

# SPECIFICATION for INDUCTION MOTOR



0		For Bidding			
No.	DATE	DESCRIPTION	PREPARED BY	CHECKED BY	APPROVED BY



# AC INDUCTION MOTOR DATA SHEET

Catalog No.	HSDE300-18-L449T-IBBRSRSH	Item No.		Rev. No.	[      ]
Project Name		Project No.		Quantity	sets

GENERAL SPECIFICATION			PERFORMANCE DATA			
Frame Size	L449T		Rated Output	225 kW      300 HP		
Type	PJP		Number of Poles	4		
Enclosure(Protection)	Totally Enclosed / IP55		Rotor Type	Squirrel Cage		
Method of Cooling	IC411(FC)		Starting Method*	D.O.L		
Rated Frequency	60 Hz		Rated Voltage	575 V	460 V	230 V
Number of Phases	3		Current	Full Load	266.9 A	333.6 A
Insulation Class	F			Locked-rotor**	710 %	710 %
Temp. Rise at full load (by resistance method)			Efficiency			
at 1.0 S.F			80 deg. C			
Motor Location	<input type="checkbox"/> Indoor <input type="checkbox"/> Outdoor		50% Load		93.2 %	
Altitude	Less than 1,000 meter		75% Load		95.2 %	
Relative Humidity	Less than 80 %		100% Load		96.2 %	
Ambient Temp.	40 deg. C (Max.)		Power Factor(p.u)			
Duty Type	Continuous ( S1 )		50% Load		0.730	
Service Factor	1.15		75% Load		0.830	
Mounting	B3		100% Load		0.880	
Bearing	Type	Anti-Friction	Speed at Full Load			
	DE/N-DE	NU322 / 6318C3-INS.	1785 r.p.m			
	Lubricant	Grease(Polyrex-EM)	Torque			
External Thrust	Not applicable		Full Load		888.0 lb.ft	
Coupling Method	<input type="checkbox"/> Direct <input type="checkbox"/> V-belt		Locked-rotor**		135 %	
Shaft Extension	Single		Breakdown**		225 %	
Terminal Box	Main	Cast Iron	Moment of Inertia (J)			
	Aux.	Yes	Load(Max.)		1,200.000 lb.ft2	
Location	Refer to Outline Drawing		Motor		101.100 lb.ft2	
			Sound Pressure Level (No-load & mean value at 1m from motor)			
Application			85 dB(A)			
Area classification	Hazardous		Vibration			
Type of Ex-Protection	Class I&II, Division 2		3.8 mm/sec (peak)			
Applicable Standard	NEMA MG1, CSA C390		Permissible number of consecutive starts		Cold      2 times	
			Hot		1 time	
			Paint	Munsell No.	4.0PB5.4/5.5(VL-451)	

ACCESSORIES
*. B.T.D.(Pt 100 Ω at 0°C,Single) : 2EA/Motor
*. W.T.D.(Pt 100 Ω at 0°C) : 2EA/Ph.
*. Space Heater : 1EA/Motor

SPARE PARTS

SUBMITTAL DRAWING		
Outline Dimension Drawing	Motor Weight(Approx.)	
B3	LM-T044XB3U7001	2890 lb.

REMARK
1. Premium efficiency according to NEMA MG1
2. Inverter Duty @ 1.0 Service Factor & F Temperature rise
-. 10:1 VT (20:1 VT at 50% load)
-. 10:1 CT
-. CHp up to 1.5 times base speed, NEMA MG1 Part31
3. NDE side : Insulated bearing
4. CSA Certification
-. Class I, Division 2, Group A, B, C & D; Temp code : T3
-. Class II, Division 2 Group F & G; Temp code : T3
5. Shaft material : AISI4140

Date	DSND	CHKD	CHKD	APPD
2024-09-10	S.H. Lee	I.K. Kim	R.G. Kim	S.W. Kim

[Note] Others not mentioned in this data sheet shall be in accordance with maker standard.  
 Above technical data are only design values and shall be guaranteed with tolerance of applicable standard.  
 Inspection and performance test shall be done according to maker standard, if not mentioned.  
 \* In case of Inverter-Fed Motor, performance data is based on sine wave tests. It may be different from test data of Inverter combined motor.  
 \*\* Data is based on rated voltage & frequency and is expressed as a percentage of full-load value.

REV	DATE	CONTENTS	REVD BY	CHKD BY	CHKD BY	APPD BY

4.72

**CROWN TRITON**  
Premium Efficiency AC 3 Phase Motor

300HP	4P	460V	Cat. No.	HSDE300-18-L449T-IBBRSRSH			
Model	LATER		INS. Class	F	Amps	333.6	
Type	PJP	Duty	Code	G	Amb.	40°C	
Frame	L449T	Encl.	S.F.	1.15	RPM	1785	
Bearing	Drive	NU322	S.F.1.00 (10:1 C.T., 20:1 V.T., NEMA-MG1 Part31)		3/4 Eff.	95.2%	
	Opp.	6318C3-INS.			NEMA Design	B Torque	
Usable at	50Hz 250HP 380V 341.71A 1485rpm S.F.: 1.0 Eff.: 96% Code: H						
	50Hz 250HP 400/415V 332.17/327.45A 1486/1487rpm S.F.: 1.0 Eff.: 96/96.1% Code: J/J						
CSA Certified for	CLASS I, Div. 2, Gr. A, B, C & D		CLASS II, Div. 2, Gr. F & G		Temp. Code (sine wave)	Frame	L440FR - 500FR
	CLASS I, Zone 2, Gr. IIA, IIB, & IIC					Amb. 40°C	T3 (200°C)
						Amb. 55°C	T3 (200°C)
No.	-		Date	-		Weight	2890 lb
4M-136053			Made in Korea H1				

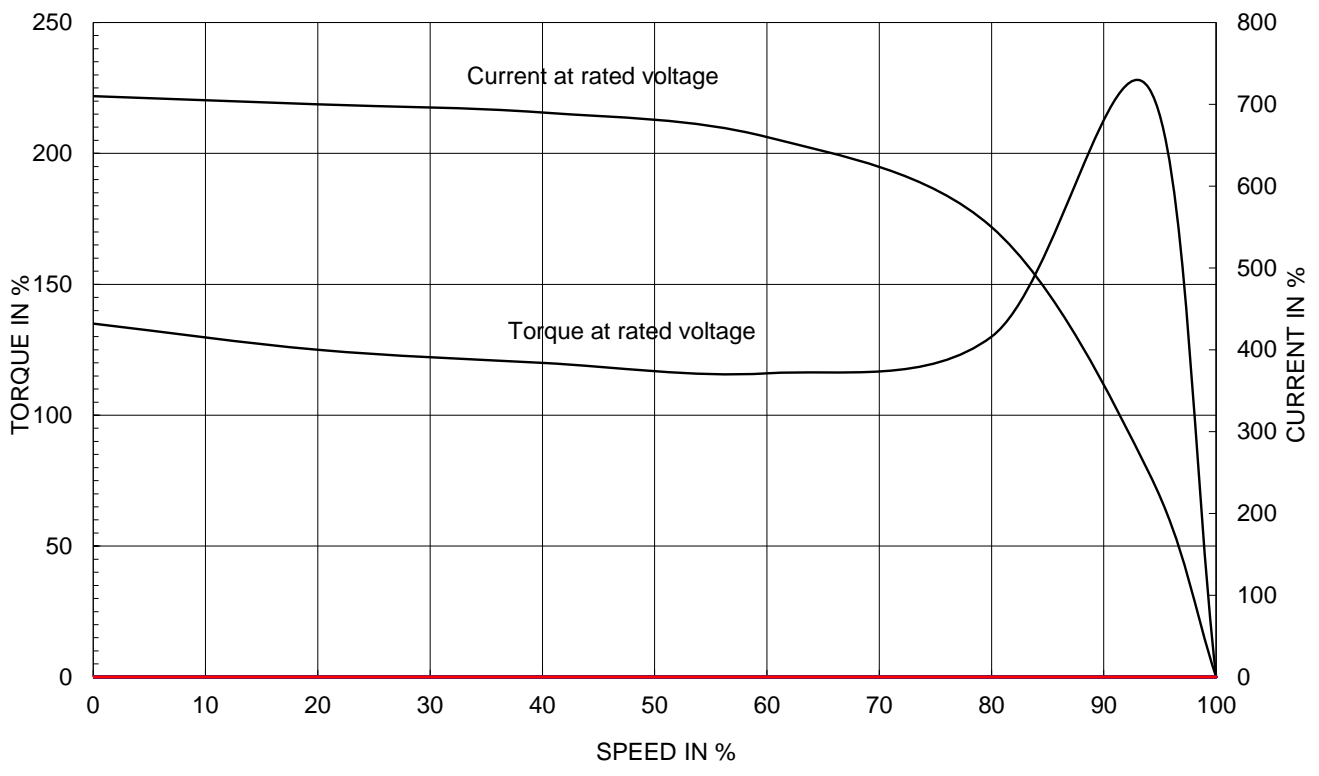
2.36

APPD BY	S.Y.KIM	UNIT	INCH	SUBJECT	CSA Class I, Division2 Severe Duty (HSDE ,L449-500)	DWG SIZE
CHKD BY	I.K.KIM	SCALE	NONE			A4 ( 1:1 )
CHKD BY	R.G.KIM	PROJEC'N	3rd Angle	TITLE <b>NAMEPLATE DRAWING</b>		
DSND BY	S.H.LEE	DATE	2024.06.07			
				REF. NO	<b>4M-136053</b>	Sheet No. of
				DWG NO	NP-HSDE300-18-L449T-IBBRSRSH	Revision No. <b>0</b>

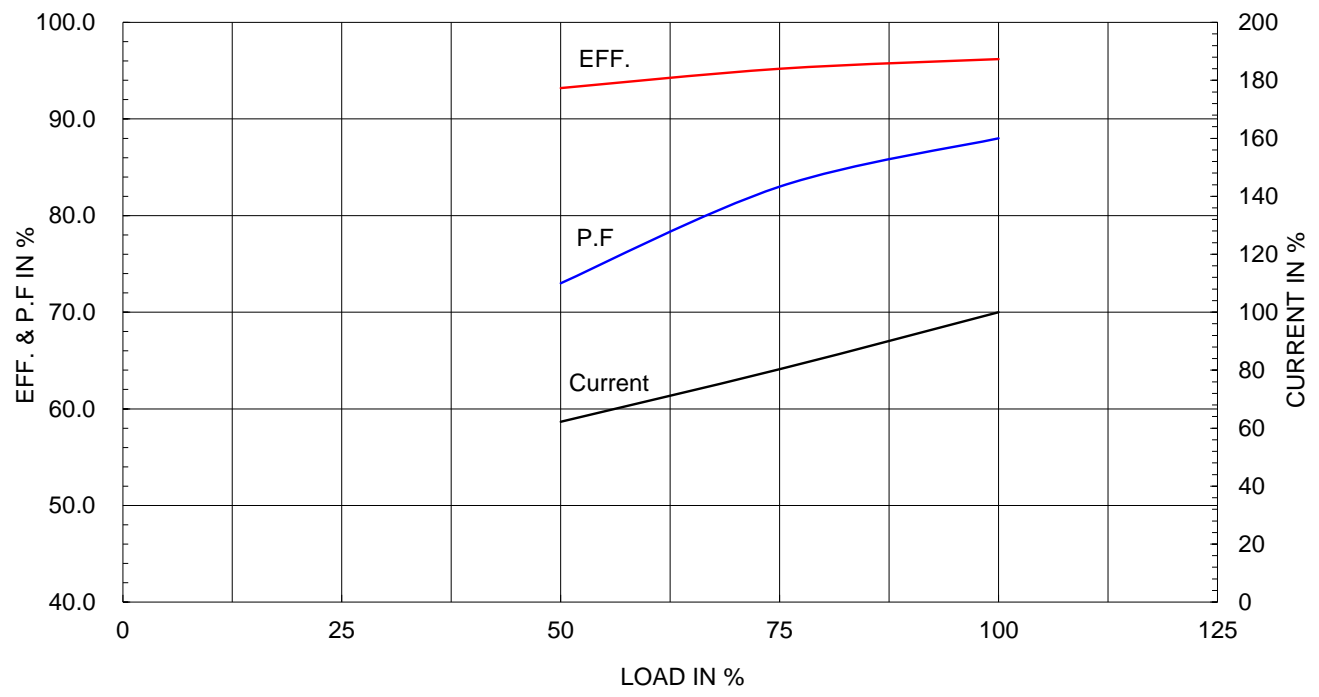
Type :	PJP
Full Load Torque :	888.0 lb.ft
Load moment of Inertia (J) :	1200.000 lb.ft2
Motor moment of Inertia (J) :	101.100 lb.ft2

225kW 300HP	4 P	60 Hz
Speed at Full Load :		1785 RPM
Rated Voltage	575V	460V 230V
Full Load Current	266.9A	333.6A 667.2A

SPEED VS TORQUE & CURRENT CURVE



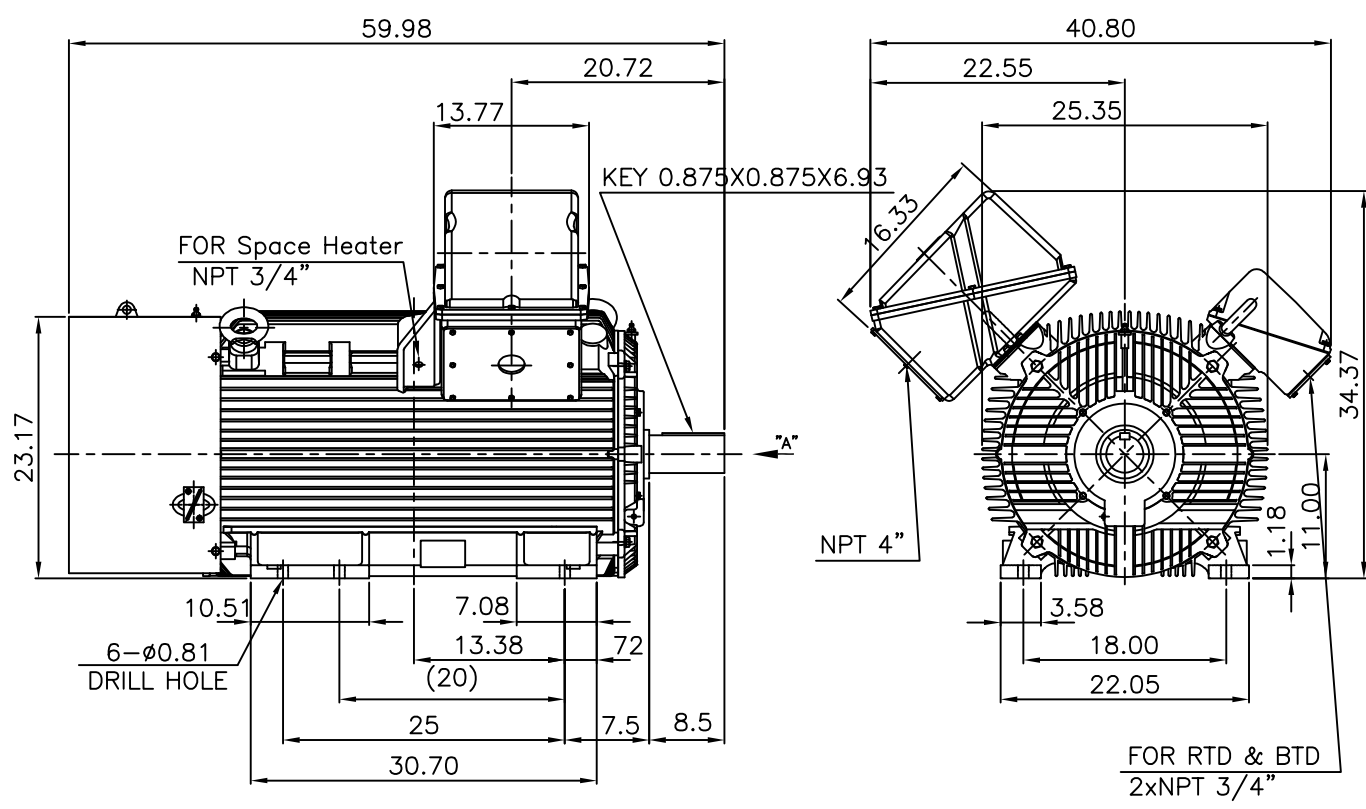
OUTPUT VS EFF., P.F & CURRENT CURVE



본 도면은 HD현대일렉트릭(주) 재산이며 허가없이 복사할 수 없음 (취급주의)

THIS DRAWING IS PROPRIETARY TO HYUNDAI ELECTRIC. NO PART OF THIS DRAWING MAYBE REPRODUCED WITHOUT THE PERMISSION OF HYUNDAI ELECTRIC.

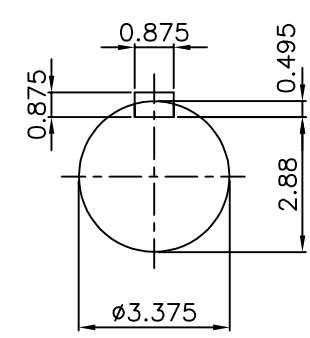
▽	50S	REV	DATE	CONTENTS	REVD BY	CHKD BY	CHKD BY	APPD BY
▽▽	12.5S							
▽▽▽	3.2S							
▽▽▽▽	0.4S							



**NOTE**

1.TOLERANCE :

CENTER HEIGHT	11	+0.000	-0.060
SHAFT DIAMETER	ø3.375	+0.000	-0.001
KEYWAY WIDTH	0.875	+0.003	-0.000



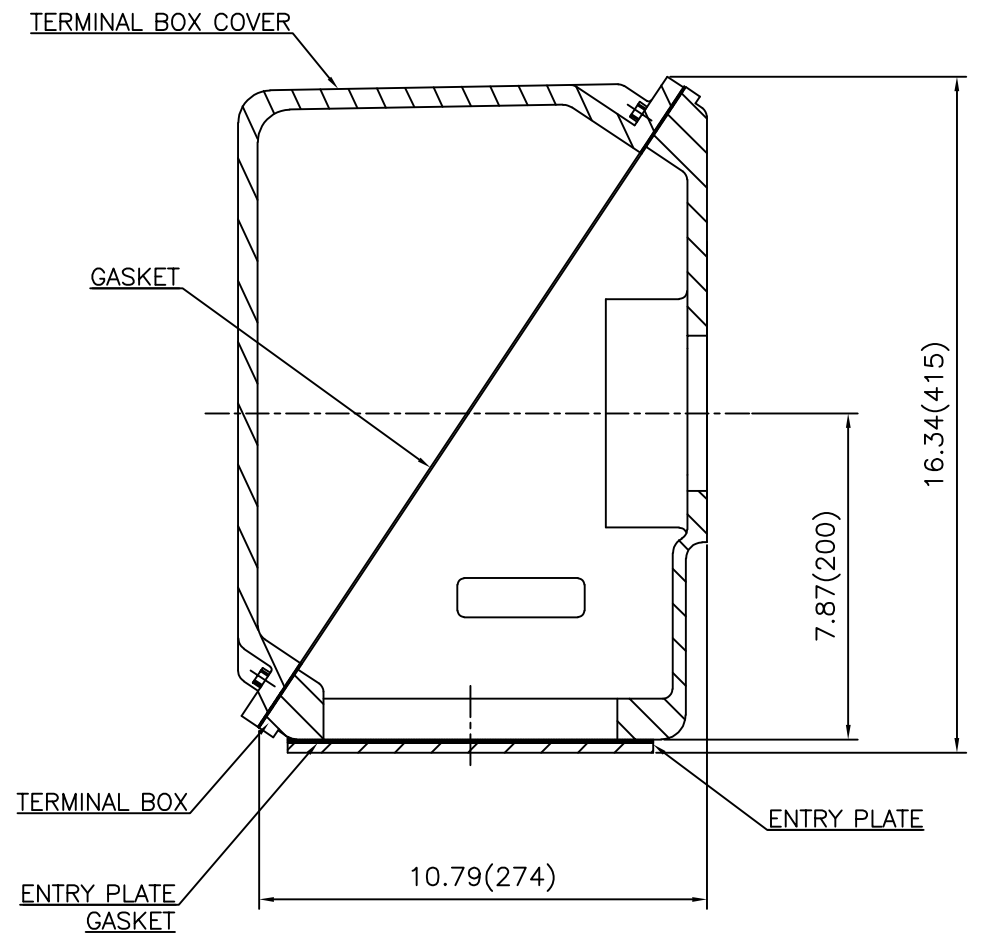
VIEW "A"

APPD BY	S.Y.KIM	UNIT	INCH	SUBJECT	Fr.L449T	DWG SIZE	A4 (1:18)
CHKD BY	O.J.KIM	SCALE	1/18	TITLE	OUTLINE		
CHKD BY	R.G.KIM	PROJEC'N	3각법(3rd Angle)				
DSND BY	H.K.LEE	DATE	2021-04-27				



REF. NO		Sheet No.	of
DWG NO	LM-T044XB3U7001	Revision No.	0

**Cls. I&II, Div. 2**  
**IEEE 841**



SEC. "A" - "A"

REV	DATE	CONTENTS	REVD BY	CHKD BY	CHKD BY	APPD BY

APPD BY	S.Y.KIM	UNIT	inch(mm)	SUBJECT	FR. L440 (CAST IRON)	DWG SIZE
CHKD BY		SCALE	1/3.5	TITLE	MAIN TERMINAL BOX ASS'Y	A3 (1:3.5)
CHKD BY	R.G.KIM	PROJEC'N	3rd Angle			
DSND BY	최승희	DATE	2023-10-19			
				REF. NO		Sheet No. of
				DWG NO	3M-248452	Revision No. 0

# Cls. I&II, Div. 2 IEEE 841

본 도면은 HD현대일렉트릭(주) 재산이며  
허가없이 복사할 수 없음 (취급주의)

THIS DRAWING IS PROPRIETARY TO HYUNDAI ELECTRIC. NO PART OF THIS DRAWING  
MAY BE REPRODUCED WITHOUT THE PERMISSION OF HYUNDAI ELECTRIC.

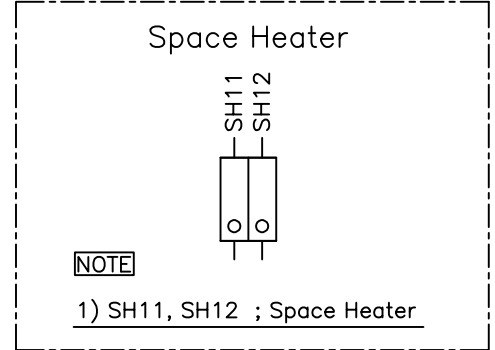
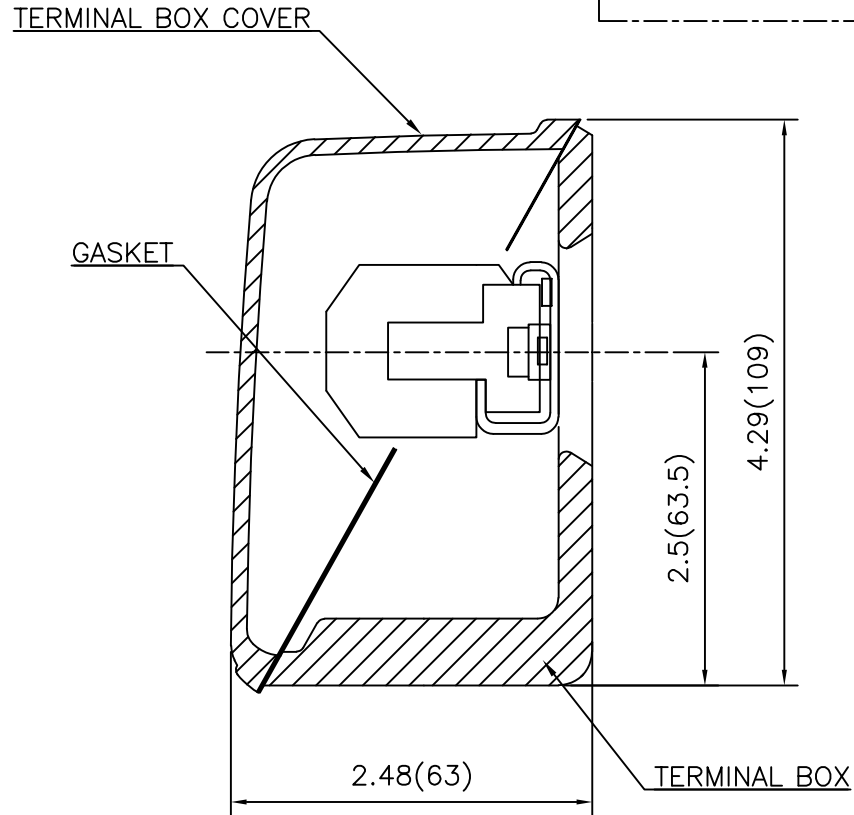


REV	DATE	CONTENTS	REVD BY	CHKD BY	CHKD BY	APPD BY

APPD BY	S.Y.KIM	UNIT	inch(mm)	SUBJECT	FR.360 (CAST IRON)	DWG SIZE	A3 (1:2.2)
CHKD BY		SCALE	1/1	TITLE	AUX. TERMINAL BOX ASS'Y		
CHKD BY	R.G.KIM	PROJEC'N	3rd Angle	REF. NO		Sheet No.	of
DSND BY	박승희	DATE	2024-01-18	DWG NO	3M-165277	Revision No.	0



**Cls. I&II, Div. 2  
IEEE 841**



REV	DATE	CONTENTS	REVD BY	CHKD BY	CHKD BY	APPD BY

APPD BY	S.Y.KIM	UNIT	inch(mm)	SUBJECT	FR.180 (CAST IRON)	DWG SIZE
CHKD BY		SCALE	1/1	TITLE	SUB. TERMINAL BOX ASS'Y	A3 (1:1.1)
CHKD BY	R.G.KIM	PROJEC'N	3rd Angle			
DSND BY	배승희	DATE	2024-01-18			
				REF. NO		Sheet No. of
				DWG NO	3M-165277	Revision No. 0