

Customer :  
Project Name :  
Project No. :  
Revision No. :

# SPECIFICATION for INDUCTION MOTOR



0		For Bidding			
No.	DATE	DESCRIPTION	PREPARED BY	CHECKED BY	APPROVED BY



# AC INDUCTION MOTOR DATA SHEET

## Explosion Proof type

Catalog No.	IXHH11-12-145T	Item No.		Rev. No.	[ ]
Project Name		Project No.		Quantity	sets

GENERAL SPECIFICATION			PERFORMANCE DATA		
Frame Size	145T		Rated Output	0.75 kW	1 HP
Type	XJP		Number of Poles	6	
Enclosure(Protection)	Totally Enclosed	/ IP55	Rotor Type	Squirrel Cage	
Method of Cooling	IC411(FC)		Starting Method*	D.O.L	
Rated Frequency	60 Hz		Rated Voltage	575 V	460 V 230 V
Number of Phases	3		Current	Full Load	1.45 A 1.81 A 3.62 A
Insulation Class	F			Locked-rotor**	800 % 800 % 800 %
Temp. Rise at full load (by resistance method)			Efficiency		
at 1.0 S.F	80 deg. C		50% Load 79.5 %		
Motor Location	<input type="checkbox"/> Indoor <input type="checkbox"/> Outdoor		75% Load 81.5 %		
Altitude	Less than 1,000 meter		100% Load 82.5 %		
Relative Humidity	Less than 80 %		Power Factor(p.u)		
Ambient Temp.	40 deg. C (Max.)		50% Load 0.480		
Duty Type	Continuous ( S1 )		75% Load 0.580		
Service Factor	1.15		100% Load 0.630		
Mounting	B3		Speed at Full Load	1155 r.p.m	
Bearing	Type	Anti-Friction	Torque		
	DE/N-DE	6205ZZC3 / 6204ZZC3	Full Load 4.6 lb.ft		
	Lubricant	Grease(Polyrex-EM)	Locked-rotor** 180 %		
External Thrust	Not applicable		Breakdown** 275 %		
Coupling Method	<input checked="" type="checkbox"/> Direct <input type="checkbox"/> V-belt		Moment of Inertia (J)		
Shaft Extension	Single		Load(Max.) 47.461 lb.ft2		
Terminal Box	Main	Cast Iron	Motor 0.083 lb.ft2		
	Aux.	No	Sound Pressure Level (No-load & mean value at 1m from motor)		
	Location	Refer to Outline Drawing	55 dB(A)		
Application			Vibration 0.0 mm/sec (peak)		
Area classification	Hazardous		Permissible number of consecutive starts		
Type of Ex-Protection	Class I&II, Division 1		Cold 0 times		
Applicable Standard	NEMA MG1, CSA C390, UL674		Hot 0 times		
			Paint	Munsell No.	4.0PB5.4/5.5(VL-451)

### ACCESSORIES

\*. W.T.D.(Thermostat, 145°C) : 1EA/Ph.

### SPARE PARTS

### SUBMITTAL DRAWING

Outline Dimension Drawing		Motor Weight(Approx.)	
B3	LM-U0145B3TL001	66 lb.	

### REMARK




- Premium efficiency according to NEMA MG1
- Inverter Duty @ 1.0 Service Factor & Ambient max 45°C
  - . CT 10.5Hz to 60Hz (10:1 CT at 1hour Duty)
  - . 10:1 VT (20:1 VT at 50% load)
  - . CHP up to 1.5 times base speed, NEMA MG1 Part31
- Class I, Division 1, Group C&D
  - . Temp.Code(Sine wave) : T2C at 40°C Amb./T2B at 55°C Amb. T4 with Winding Temperature Detector
- Class II, Division 1, Group F&G
  - . Temp.Code(Sine wave) : T3B

Date	DSND	CHKD	CHKD	APPD
2024-08-08	S.H. Lee	I.K. Kim	R.G. Kim	S.W. Kim

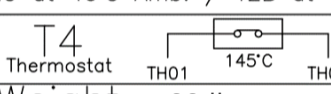

[Note] Others not mentioned in this data sheet shall be in accordance with maker standard.  
 Above technical data are only design values and shall be guaranteed with tolerance of applicable standard.  
 Inspection and performance test shall be done according to maker standard, if not mentioned.  
 \* In case of Inverter-Fed Motor, performance data is based on sine wave tests. It may be different from test data of Inverter combined motor.  
 \*\* Data is based on rated voltage & frequency and is expressed as a percentage of full-load value.

1	2	3	4
REV	DATE	CONTENTS	REVD BY


4.02

**CROWN TRITON** **Explosion Proof**   

**Premium Efficiency AC 3 Phase Motor**

1HP	6P	230/460V	Cat. No.	IXHHI1-12-145T					
Model	LATER		INS. Class	F	HD-F1	Amps	3.62/1.81	NEMA Nom. Eff.	82.5%
Type	XJP	Duty	CONT	Code	L	Hertz	60Hz	3/4 Eff.	81.5%
Frame	145T	Encl.	TEFC	RPM	1155	Amb.	40°C		
<input type="checkbox"/>	Drive	6205ZZC3	S.F.	1.15	on sine wave power	NEMA Design	B	<input type="checkbox"/>	
	Opp.	6204ZZC3	S.F.	1.00	on PWM or IGBT power				
Usable at	50Hz 0.75HP 380V 2.3A 960rpm S.F.: 1.0 Eff.: 73.1% Code: L								
	50Hz 0.75HP 400/415V 2.4/2.5A 965/965rpm S.F.: 1.0 Eff.: 73.1/73.1% Code: L/L								
UL Certified for	Class I, Div.1, Gr. C&D / Class I, Zone1, Gr. IIA & IIB				Temp. Code	T2C at 40°C Amb. / T2B at 55°C Amb.			
	10:1VT(20:1 at 50% load) CT 10.5Hz to base Hz(10:1 1hour duty at lowest RPM)				(sine wave)				
No.	-	Date	-	Weight	66 lb				
NP249A7177VXP (NEMA 140~210Fr.)		MADE IN KOREA H3							

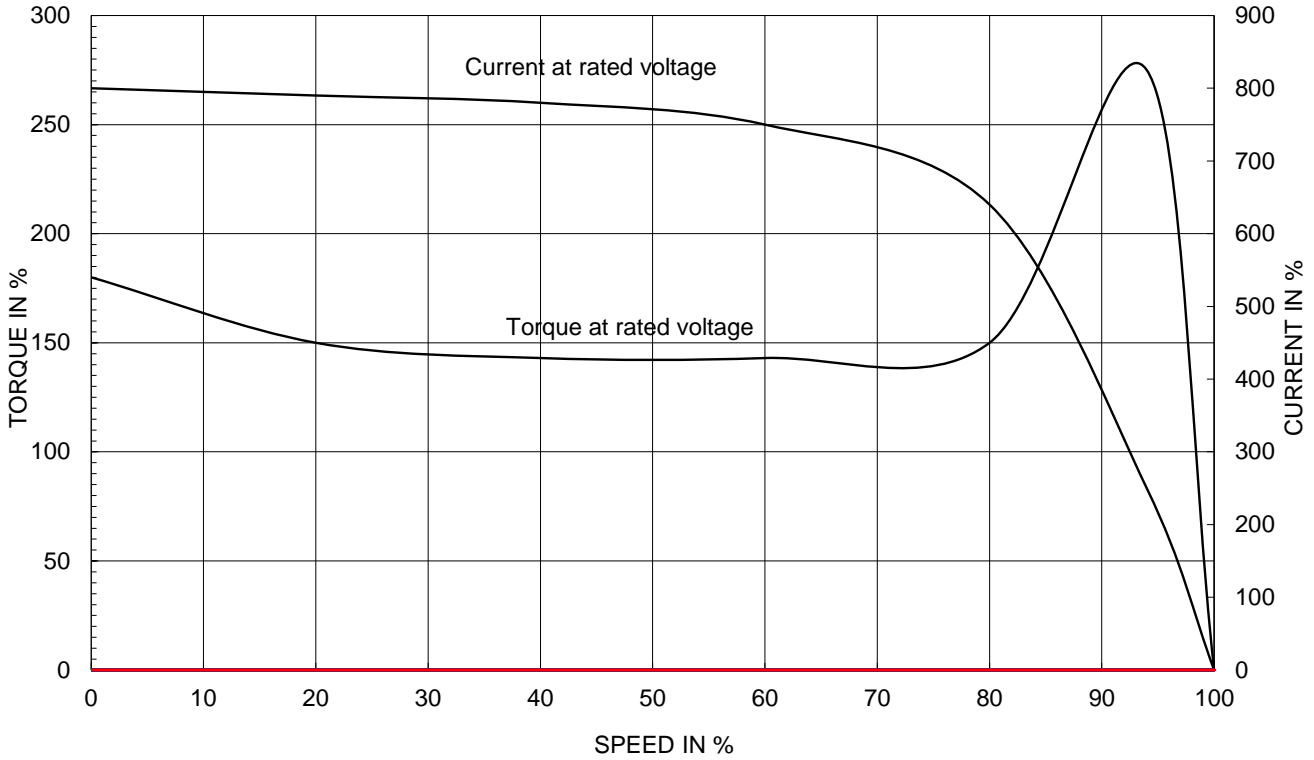
1.81

APPD BY	S.Y.KIM	UNIT	INCH	SUBJECT	UL Class I, Division1 (IXHHI)	DWG SIZE	A4 ( 1:1 )
CHKD BY	I.K.KIM	SCALE	NONE	TITLE	<b>NAMEPLATE DRAWING</b>		
CHKD BY	R.G.KIM	PROJEC'N	3rd Angle				
DSND BY	S.H.LEE	DATE	2024.06.07				
				REF. NO	NP249A7177V	Sheet No.	of
				DWG NO	NP-IXHHI1-12-145T	Revision No.	0

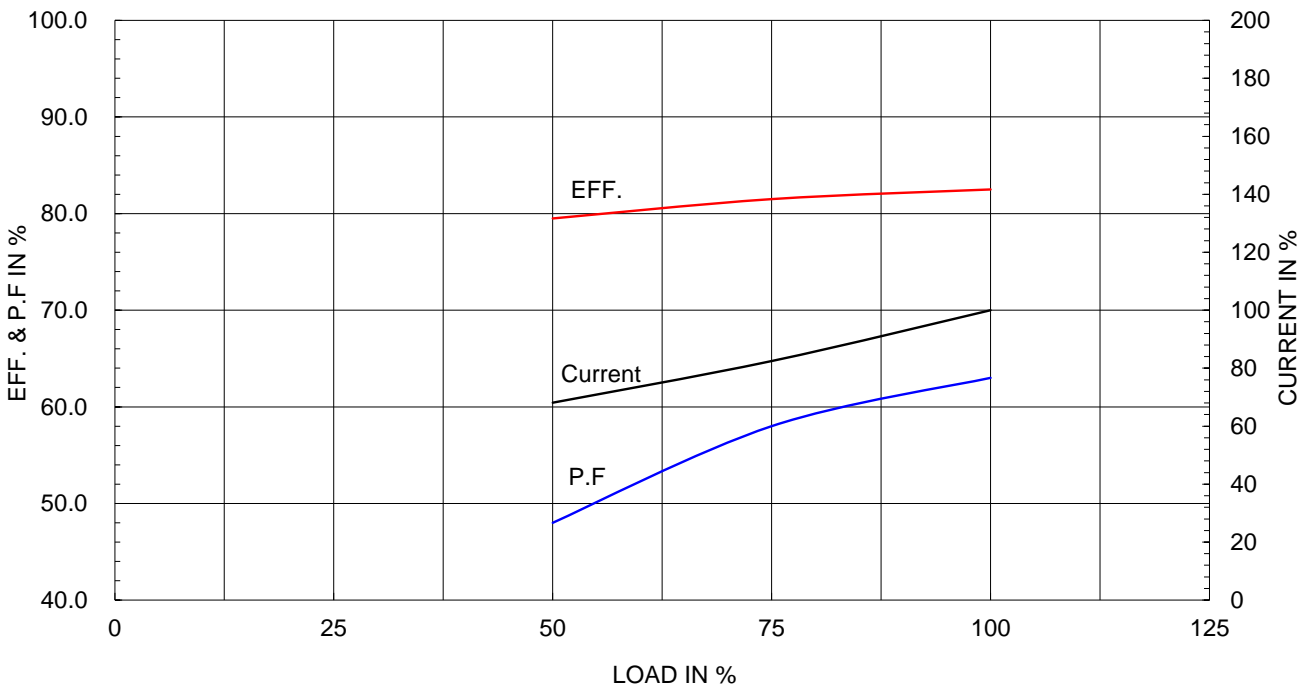
Type :	XJP
Full Load Torque :	4.6 lb.ft
Load moment of Inertia (J) :	47.461 lb.ft <sup>2</sup>
Motor moment of Inertia (J) :	0.083 lb.ft <sup>2</sup>

0.75kW	1HP	6 P	60 Hz
Speed at Full Load :			1155 RPM
Rated Voltage	575V	460V	230V
Full Load Current	1.4A	1.8A	3.6A

SPEED VS TORQUE & CURRENT CURVE



OUTPUT VS EFF., P.F & CURRENT CURVE

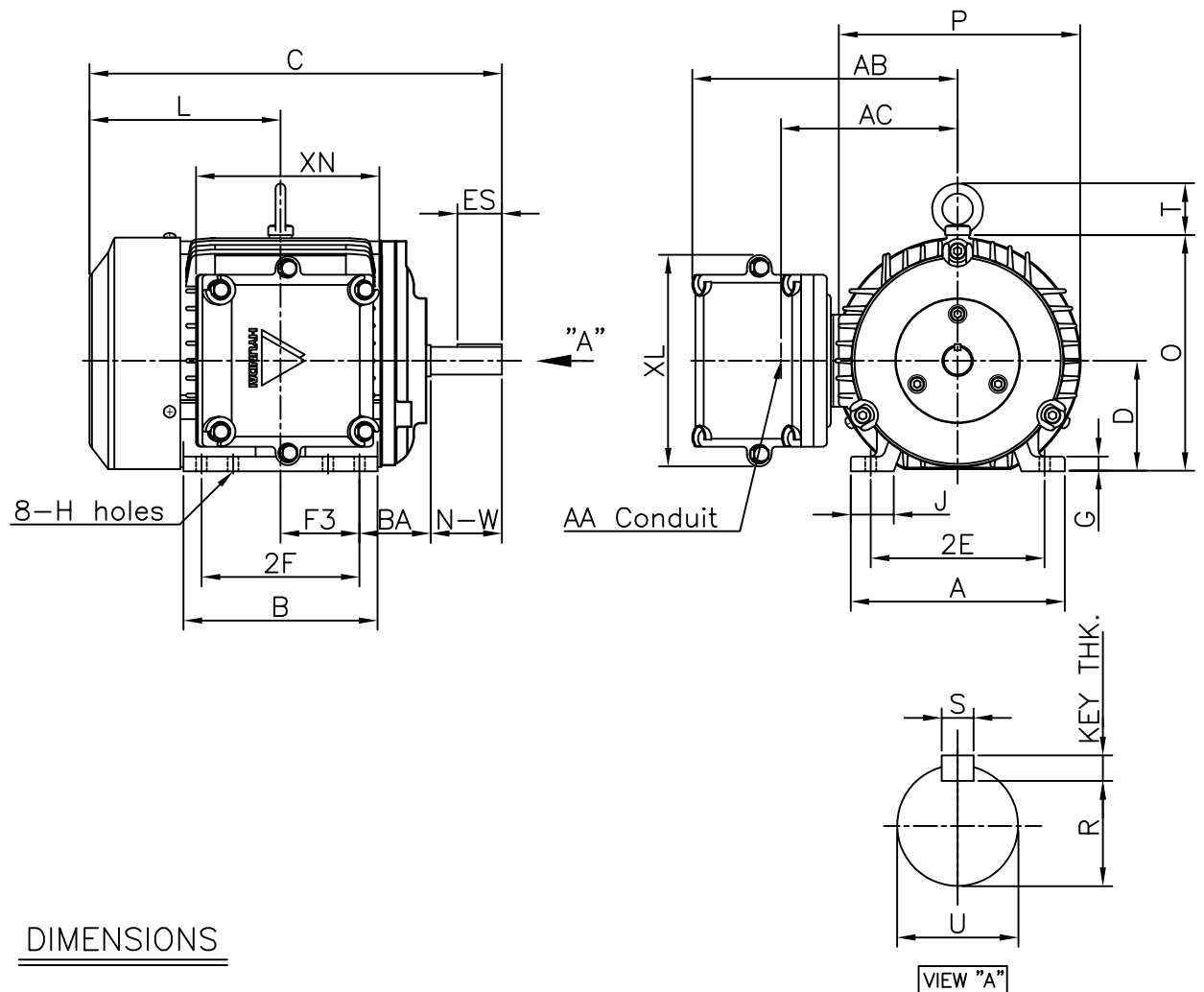


본 도면은 HD현대일렉트릭(주) 재산이며 허가없이 복사할 수 없음 (취급주의)

THIS DRAWING IS PROPRIETARY TO HYUNDAI ELECTRIC. NO PART OF THIS DRAWING MAYBE REPRODUCED WITHOUT THE PERMISSION OF HYUNDAI ELECTRIC.

▽	50S	REV	DATE	CONTENTS	REVD BY	CHKD BY	CHKD BY	APPD BY
▽▽	12.5S							
▽▽▽	3.2S							
▽▽▽▽	0.4S							

**Class I Division 1**



DIMENSIONS

MOUNTING									CONDUIT BOX						APPROX. WGT.(lb)
A	B	2E	2F	-	F3	G	J	H	AA	AB	AC	XB	XL	XN	
6.78	6.15	5.50	5.00	-	2.50	0.47	1.36	0.34	0.75	8.39	5.59	-	6.69	5.98	66

OVERALL							SHAFT					KEY THK.	BEARING	
BA	C	D	L	O	P	T	U	N-W	KEYWAY				DRIVE END	OPP. DRIVE END
									R	ES	S			
2.25	13.05	3.50	6.05	7.46	7.64	1.63	0.875	2.25	0.771	1.41	0.188	0.188	6205ZZ	6204ZZ

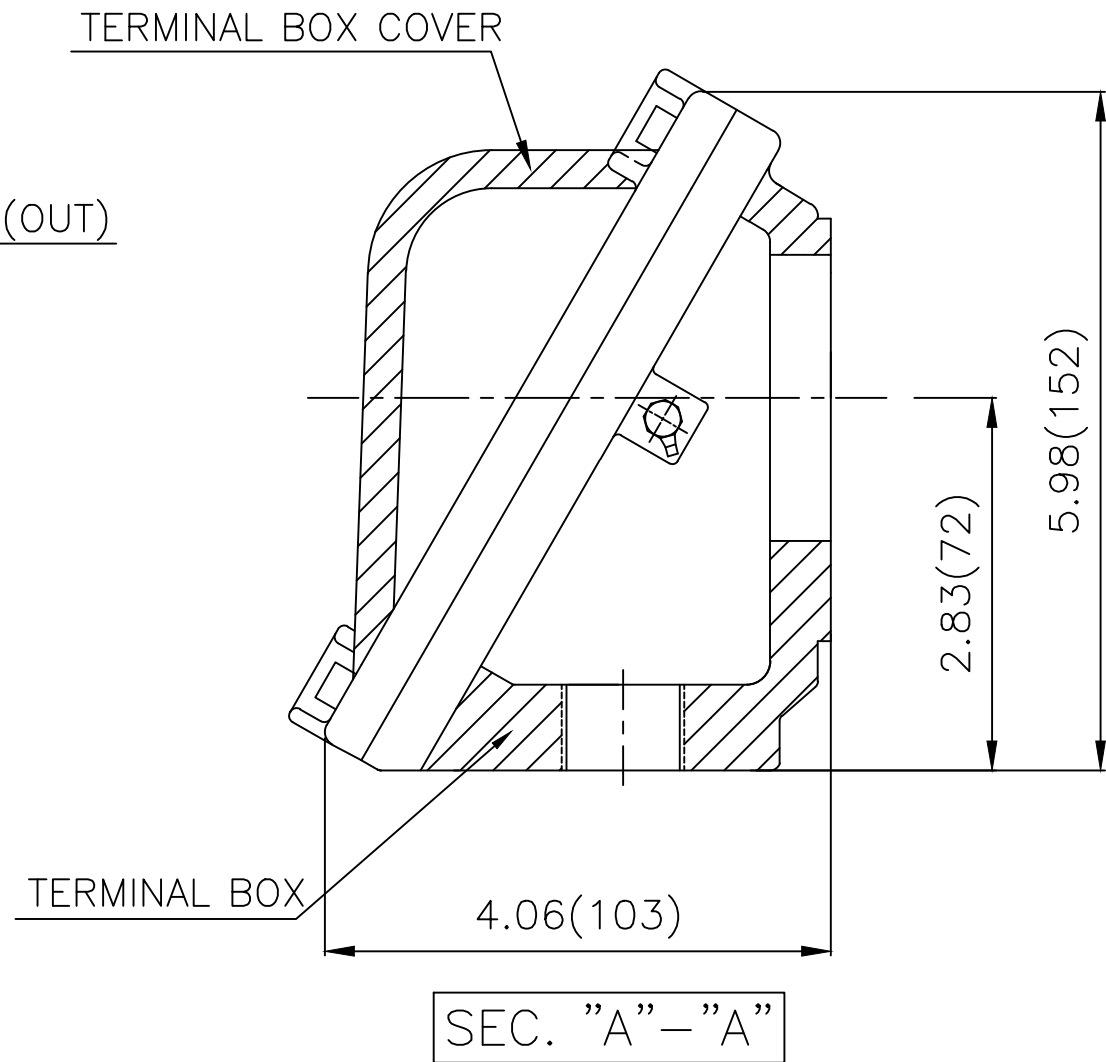
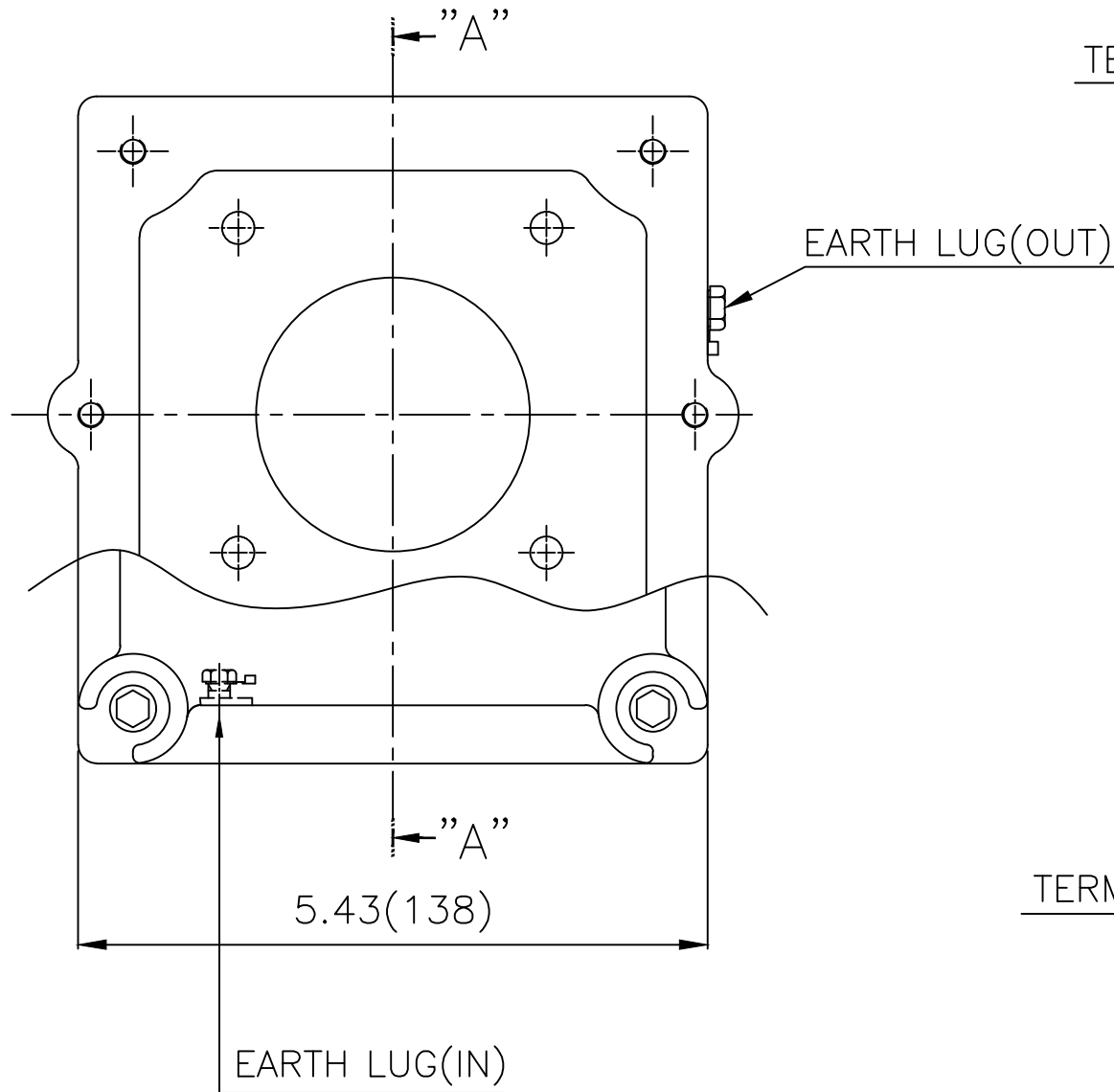
NOTE

1. Dimension "D" tolerance : +0.00inch - 0.03inch (143T-365T) ; +0.000inch - 0.06inch (404T-449T)
2. Dimension "U" tolerance : +0.000inch - 0.005inch (143T-215T), +0.000inch - 0.001inch (254T-449T)
3. Dimension "R" tolerance : +0.000inch - 0.015inch

APPD BY	S.Y.KIM	UNIT	inch	SUBJECT	NEMA 145T	DWG SIZE	A4 ( 1:6 )
CHKD BY	R.G.KIM	SCALE	1/10	TITLE	OUTLINE	Sheet No.	of
CHKD BY		PROJEC'N	3rd Angle				
DSND BY	J.H.JEON	DATE	2021-04-15				
				REF. NO		Sheet No.	of
				DWG NO	LM-U0145B3TL001	Revision No.	0



# Cls. I Div. 1



▽	50S
▽▽	12.5S
▽▽▽	3.2S
▽▽▽▽	0.4S

REV	DATE	CONTENTS	REVD BY	CHKD BY	CHKD BY	APPD BY

일반가공공차		일반제관공차	
1-4	±0.1	6-30	±0.5
4-18	±0.2	30-120	±0.8
18-63	±0.3	120-315	±1.2
63-250	±0.5	315-1000	±2.0
250-	±0.8	1000-	±3.0

Q'TY	DESCRIPTION	MATERIAL	DIMENSION	WEIGHT	PART NO.	REMARK	NO.
APPD BY	S.Y.KIM	UNIT	lφφh(mm)	SUBJECT	NEMA FR. 180~210(CAST IRON)	DWG SIZE	A3 (1:1.5)
CHKD BY	R.G.KIM	SCALE	1/1.5	TITLE	MAIN TERMINAL BOX ASS'Y		
CHKD BY		PROJEC'N	3rd Angle	REF. NO		Sheet No.	of
DSND BY	김은진	DATE	2023-10-24	DWG NO	3M-248496	Revision No.	0

