

Customer :
 Project Name :
 Project No. :
 Revision No. :

SPECIFICATION for INDUCTION MOTOR



0		For Bidding			
No.	DATE	DESCRIPTION	PREPARED BY	CHECKED BY	APPROVED BY



AC INDUCTION MOTOR DATA SHEET

Catalog No.	HSDE350-18-L449T-IBSH	Item No.	Rev. No. []
Project Name		Project No.	Quantity sets

GENERAL SPECIFICATION		PERFORMANCE DATA				
Frame Size	L449T	Rated Output	260 kW 350 HP			
Type	PJP	Number of Poles	4			
Enclosure(Protection)	Totally Enclosed / IP55	Rotor Type	Squirrel Cage			
Method of Cooling	IC411(FC)	Starting Method*	D.O.L			
Rated Frequency	60 Hz	Rated Voltage	575 V	460 V	230 V	
Number of Phases	3	Current	Full Load	308.4 A	385.5 A	771.0 A
Insulation Class	F		Locked-rotor**	715 %	715 %	715 %
Temp. Rise at full load (by resistance method)		Efficiency				
at 1.0 S.F	80 deg. C			50% Load	93.2 %	
Motor Location	<input type="checkbox"/> Indoor <input type="checkbox"/> Outdoor			75% Load	95.2 %	
Altitude	Less than 1,000 meter			100% Load	96.2 %	
Relative Humidity	Less than 80 %	Power Factor(p.u)				
Ambient Temp.	40 deg. C (Max.)			50% Load	0.730	
Duty Type	Continuous (S1)			75% Load	0.830	
Service Factor	1.15			100% Load	0.880	
Mounting	B3	Speed at Full Load		1785 r.p.m		
Bearing	Type	Anti-Friction		Torque		
	DE/N-DE	NU322 / 6318C3-INS.		Full Load	1,026.2 lb.ft	
	Lubricant	Grease(Polyrex-EM)		Locked-rotor**	135 %	
External Thrust	Not applicable		Breakdown**	225 %		
Coupling Method	<input type="checkbox"/> Direct <input type="checkbox"/> V-belt	Moment of Inertia (J)				
Shaft Extension	Single			Load(Max.)	1,370.000 lb.ft2	
Terminal Box	Main	Cast Iron		Motor	118.425 lb.ft2	
	Aux.	Yes		Sound Pressure Level (No-load & mean value at 1m from motor)		
	Location	Refer to Outline Drawing		85 dB(A)		
Application		Vibration		3.8 mm/sec (peak)		
Area classification	Hazardous	Permissible number of consecutive starts		Cold	2 times	
Type of Ex-Protection	Class I&II, Division 2			Hot	1 time	
Applicable Standard	NEMA MG1, CSA C390	Paint	Munsell No.	4.0PB5.4/5.5(VL-451)		

ACCESSORIES

*. Space Heater : 1EA/Motor

SPARE PARTS

SUBMITTAL DRAWING

Outline Dimension Drawing		Motor Weight(Approx.)	
B3	LM-T044XB3UE001	3090 lb.	

REMARK

1. Premium efficiency according to NEMA MG1
2. Inverter Duty @ 1.0 Service Factor & F Temperature rise
 - . 10:1 VT (20:1 VT at 50% load)
 - . 10:1 CT
 - . CHp up to 1.5 times base speed, NEMA MG1 Part31
3. NDE side : Insulated bearing
4. CSA Certification
 - . Class I, Division 2, Group A, B, C & D; Temp code : T3
 - . Class II, Division 2 Group F & G; Temp code : T3
5. Shaft material : AISI4140

Date	DSND	CHKD	CHKD	APPD
2024-09-10	S.H. Lee	I.K. Kim	R.G. Kim	S.W. Kim


[Note] Others not mentioned in this data sheet shall be in accordance with maker standard.
 Above technical data are only design values and shall be guaranteed with tolerance of applicable standard.
 Inspection and performance test shall be done according to maker standard, if not mentioned.
 * In case of Inverter-Fed Motor, performance data is based on sine wave tests. It may be different from test data of Inverter combined motor.
 ** Data is based on rated voltage & frequency and is expressed as a percentage of full-load value.

1	2	3	4
REV	DATE	CONTENTS	REVD BY

4.72


CROWN TRITON
Premium Efficiency AC 3 Phase Motor



350HP	4P	460V	Cat. No.	HSDE350-18-L449T-IBSH			
Model	LATER		INS. Class	F	Amps	385.5	
Type	PJP	Duty	Code	G	Amb.	40°C	
Frame	L449T	Encl.	S.F.	1.15	RPM	1785	
Bearing	Drive	NU322	S.F.1.00 (10:1 C.T., 20:1 V.T., NEMA-MG1 Part31)		3/4 Eff.	95.2%	
	Opp.	6318C3-INS.			NEMA Design	B	
Usable at	50Hz 300HP 380V 404.65A 1485rpm S.F.: 1.0 Eff.: 96% Code: G						
	50Hz 300HP 400/415V 393.36/387.77A 1486/1487rpm S.F.: 1.0 Eff.: 96/96.1% Code: H/J						
CSA Certified for	CLASS I, Div. 2, Gr. A, B, C & D		CLASS II, Div. 2, Gr. F & G		Temp. Code (sine wave)	Frame	L440FR - 500FR
	CLASS I, Zone 2, Gr. IIA, IIB, & IIC					Amb. 40°C	T3 (200°C)
						Amb. 55°C	T3 (200°C)
No.	-		Date	-		Weight	3090 lb
	4M-136053		Made in Korea H1				

2.36

APPD BY	S.Y.KIM	UNIT	INCH	SUBJECT	CSA Class I, Division2 Severe Duty (HSDE ,L449-500)	DWG SIZE
CHKD BY	I.K.KIM	SCALE	NONE			A4 (1:1)
CHKD BY	R.G.KIM	PROJEC'N	3rd Angle	NAMEPLATE DRAWING		
DSND BY	S.H.LEE	DATE	2024.06.07			
				REF. NO	4M-136053	Sheet No. of
				DWG NO	NP-HSDE350-18-L449T-IBSH	Revision No. 0



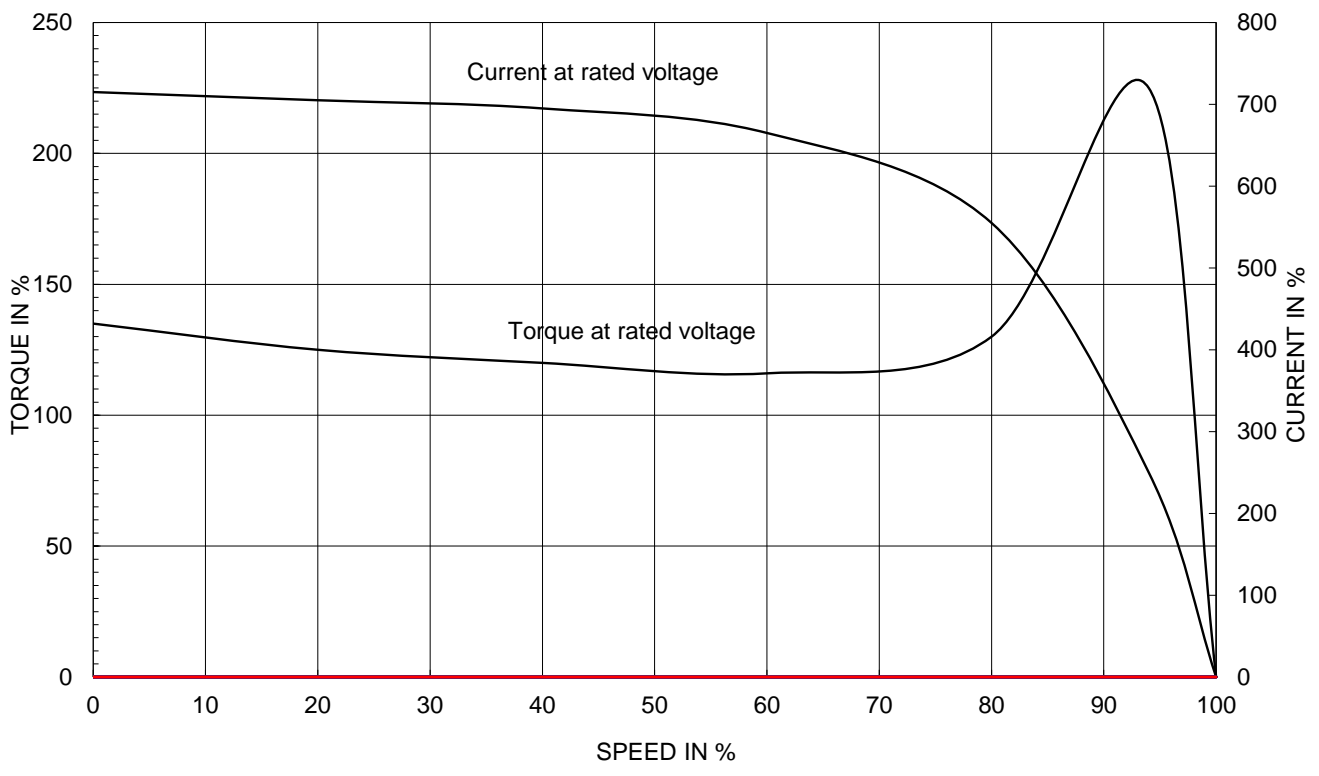
PERFORMANCE CURVE

CURVE NO.
PC-HSDE350-18-L449T-IBSH

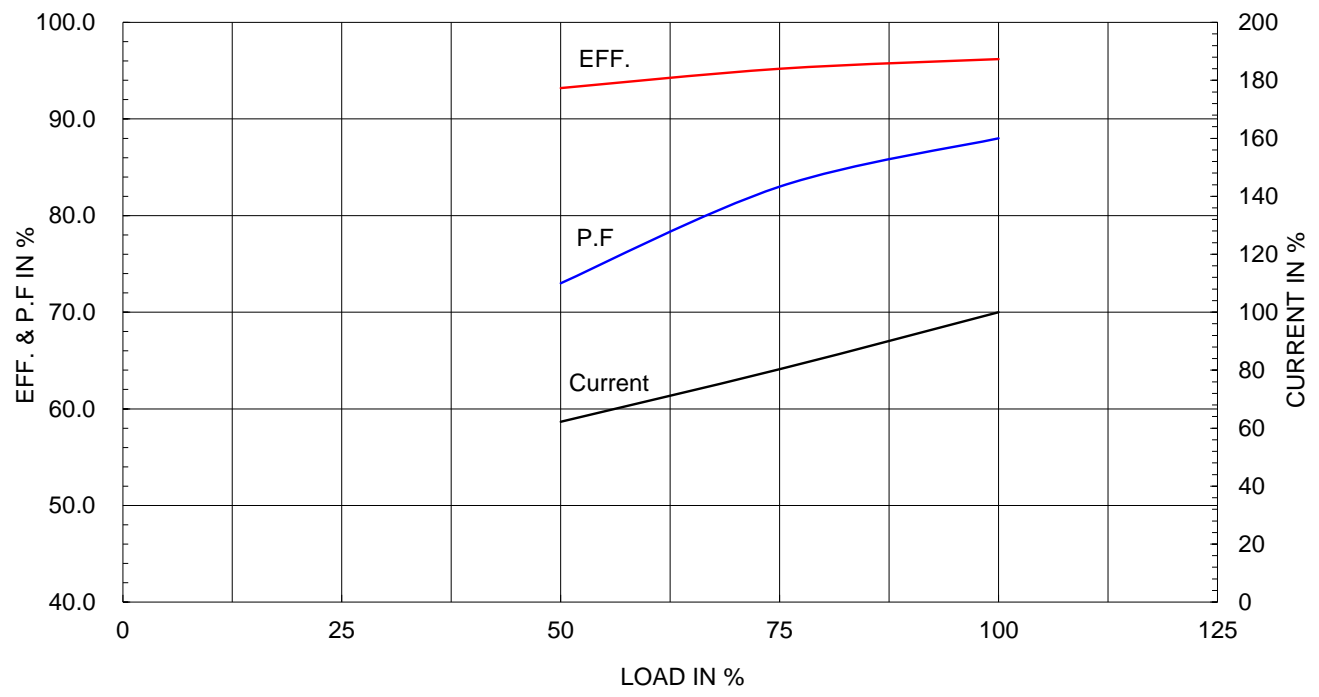
Type :	PJP
Full Load Torque :	1026.2 lb.ft
Load moment of Inertia (J) :	1370.000 lb.ft2
Motor moment of Inertia (J) :	118.425 lb.ft2

260kW 350HP	4 P	60 Hz
Speed at Full Load :		1785 RPM
Rated Voltage	575V	460V 230V
Full Load Current	308.4A	385.5A 771.0A

SPEED VS TORQUE & CURRENT CURVE



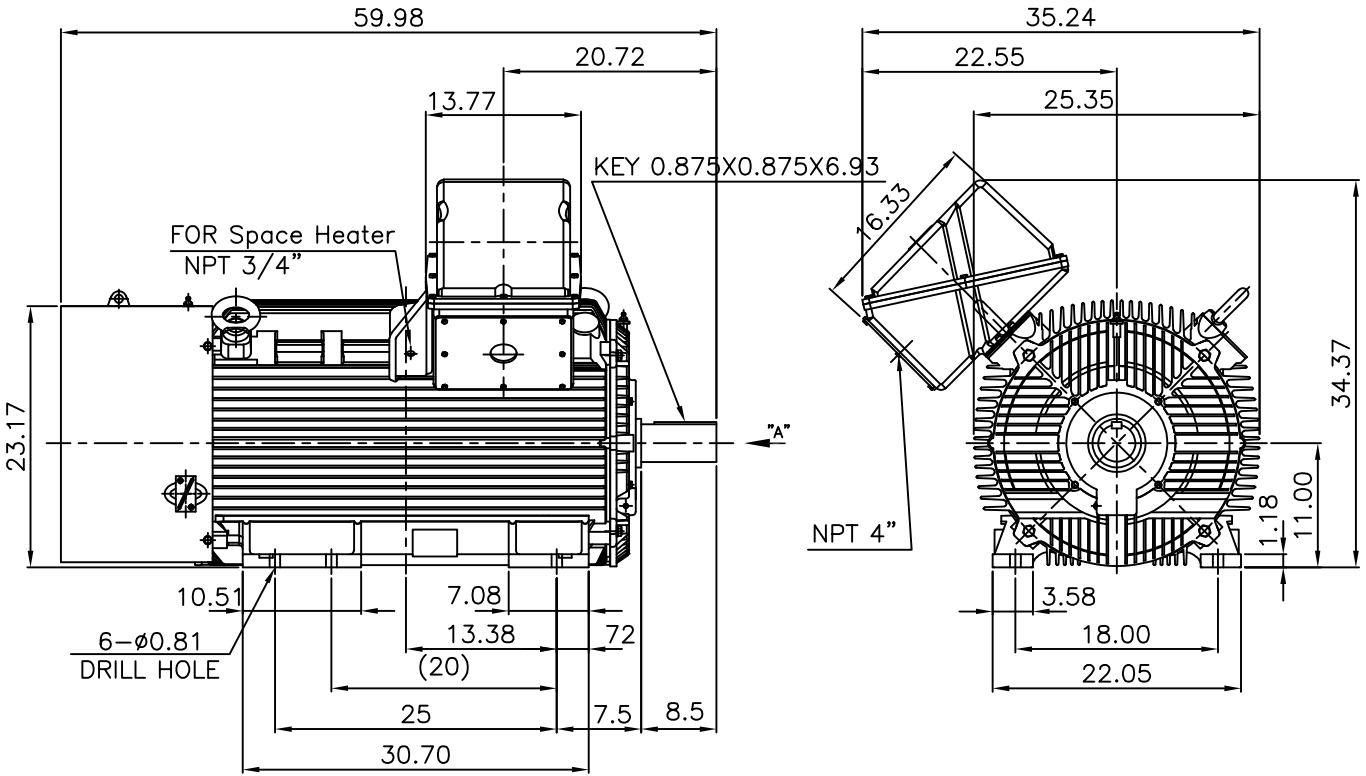
OUTPUT VS EFF., P.F & CURRENT CURVE



본 도면은 HD현대일렉트릭(주) 재산이며 허가없이 복사할 수 없음 (취급주의)

THIS DRAWING IS PROPRIETARY TO HYUNDAI ELECTRIC. NO PART OF THIS DRAWING MAYBE REPRODUCED WITHOUT THE PERMISSION OF HYUNDAI ELECTRIC.

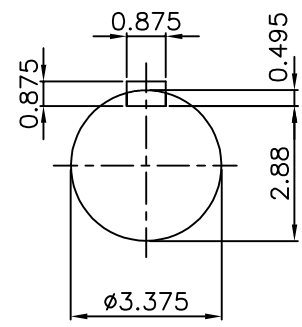
▽	50S	REV	DATE	CONTENTS	REVD BY	CHKD BY	CHKD BY	APPD BY
▽▽	12.5S							
▽▽▽	3.2S							
▽▽▽▽	0.4S							



NOTE

1.TOLERANCE :

CENTER HEIGHT	11	+0.000	-0.060
SHAFT DIAMETER	ø3.375	+0.000	-0.001
KEYWAY WIDTH	0.875	+0.003	-0.000



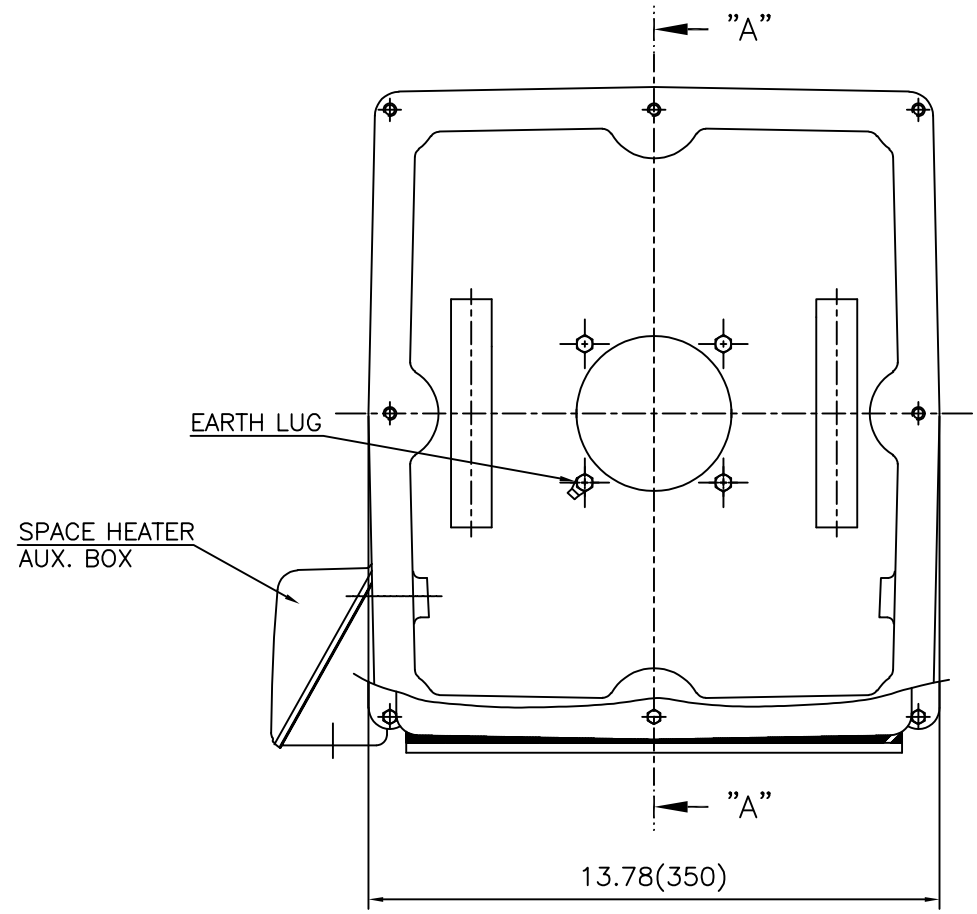
VIEW "A"

APPD BY	S.Y.KIM	UNIT	INCH	SUBJECT	Fr.L449T	DWG SIZE	A4 (1:18)
CHKD BY	O.J.KIM	SCALE	1/18	TITLE	OUTLINE		
CHKD BY	R.G.KIM	PROJEC'N	3각법(3rd Angle)				
DSND BY	H.K.LEE	DATE	2021-04-27				



REF. NO		Sheet No.	of
DWG NO	LM-T044XB3UE001	Revision No.	0

**Cls. I&II, Div. 2
IEEE 841**

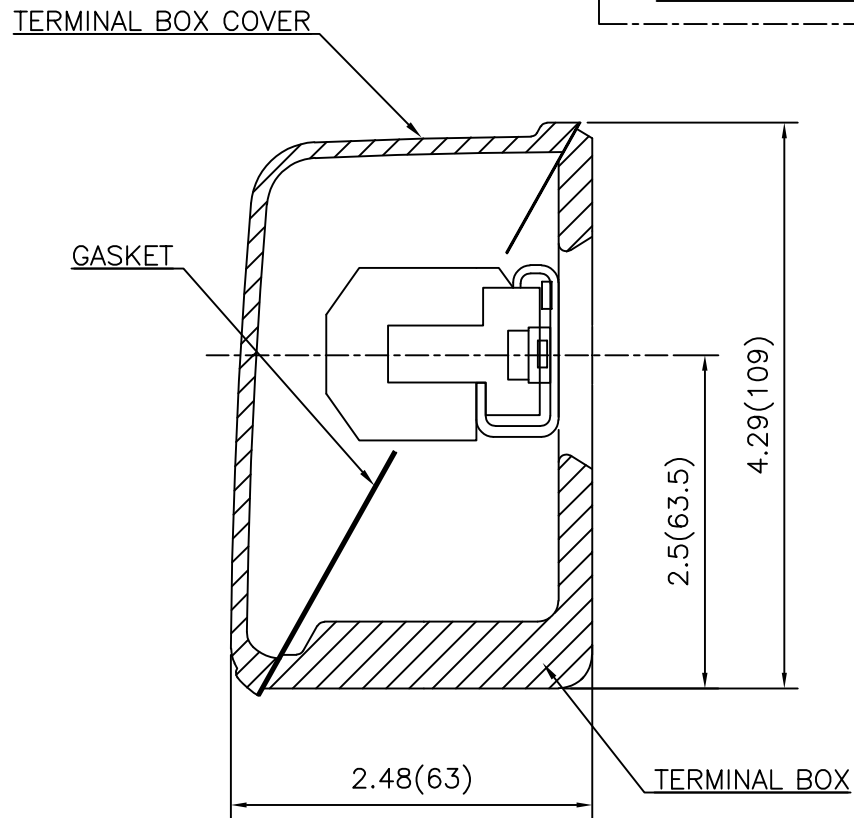


SEC. "A" - "A"

REV	DATE	CONTENTS	REVD BY	CHKD BY	CHKD BY	APPD BY
1						
2						
3						
4						

APPD BY	S.Y.KIM	UNIT	inch(mm)	SUBJECT	FR. L440 (CAST IRON)	DWG SIZE
CHKD BY		SCALE	1/3.5	TITLE	MAIN TERMINAL BOX ASS'Y	A3 (1:3.5)
CHKD BY	R.G.KIM	PROJEC'N	3rd Angle			
DSND BY	최승희	DATE	2023-10-19			
				REF. NO		Sheet No. of
				DWG NO	3M-248452	Revision No. 0

**Cls. I&II, Div. 2
IEEE 841**



REV	DATE	CONTENTS	REVD BY	CHKD BY	CHKD BY	APPD BY

APPD BY	S.Y.KIM	UNIT	inch(mm)	SUBJECT	FR.180 (CAST IRON)	DWG SIZE
CHKD BY		SCALE	1/1	TITLE	SUB. TERMINAL BOX ASS'Y	A3 (1:1.1)
CHKD BY	R.G.KIM	PROJEC'N	3rd Angle			
DSND BY	배승희	DATE	2024-01-18			
				REF. NO		Sheet No. of
				DWG NO	3M-165277	Revision No. 0