

Customer :
Project Name :
Project No. :
Revision No. :

SPECIFICATION for INDUCTION MOTOR



0		For Bidding			
No.	DATE	DESCRIPTION	PREPARED BY	CHECKED BY	APPROVED BY



AC INDUCTION MOTOR DATA SHEET

Explosion Proof type

Catalog No.	IXHHI50-18-326TC	Item No.	Rev. No.	[]
Project Name		Project No.	Quantity	sets

GENERAL SPECIFICATION			PERFORMANCE DATA			
Frame Size	326TC		Rated Output	37 kW 50 HP		
Type	XJP		Number of Poles	4		
Enclosure(Protection)	Totally Enclosed	/ IP55	Rotor Type	Squirrel Cage		
Method of Cooling	IC411(FC)		Starting Method*	D.O.L		
Rated Frequency	60 Hz		Rated Voltage	575 V	460 V	230 V
Number of Phases	3		Current	Full Load	46.8 A	58.5 A 117.0 A
Insulation Class	F			Locked-rotor**	830 %	830 % 830 %
Temp. Rise at full load (by resistance method)			Efficiency			
at 1.0 S.F	80 deg. C		50% Load 91.5 %			
Motor Location	<input type="checkbox"/> Indoor <input type="checkbox"/> Outdoor		75% Load 93.5 %			
Altitude	Less than 1,000 meter		100% Load 94.5 %			
Relative Humidity	Less than 80 %		Power Factor(p.u)			
Ambient Temp.	40 deg. C (Max.)		50% Load 0.690			
Duty Type	Continuous (S1)		75% Load 0.790			
Service Factor	1.15		100% Load 0.840			
Mounting	B35		Speed at Full Load	1780 r.p.m		
Bearing	Type	Anti-Friction	Torque			
	DE/N-DE	6313ZC3 / 6211ZC3	Full Load 146.4 lb.ft			
	Lubricant	Grease(Polyrex-EM)	Locked-rotor** 170 %			
External Thrust	Not applicable		Breakdown** 220 %			
Coupling Method	<input checked="" type="checkbox"/> Direct <input type="checkbox"/> V-belt		Moment of Inertia (J)			
Shaft Extension	Single		Load(Max.) 278.234 lb.ft2			
Terminal Box	Main	Cast Iron	Motor 8.307 lb.ft2			
	Aux.	No	Sound Pressure Level (No-load & mean value at 1m from motor)			
	Location	Refer to Outline Drawing	77 dB(A)			
Application			Vibration 0.0 mm/sec (peak)			
Area classification	Hazardous		Permissible number of consecutive starts			
Type of Ex-Protection	Class I&II, Division 1		Cold 0 times			
Applicable Standard	NEMA MG1, CSA C390, UL674		Hot 0 times			
	Paint	Munsell No.	4.0PB5.4/5.5(VL-451)			

ACCESSORIES

*. W.T.D.(Thermostat, 145°C) : 1EA/Ph.

SPARE PARTS

SUBMITTAL DRAWING

Outline Dimension Drawing		Motor Weight(Approx.)	
B35	LM-U0326C4TL001	560 lb.	

REMARK

1. Premium efficiency according to NEMA MG1
2. Inverter Duty @ 1.0 Service Factor & Ambient max 45°C
 - . 4:1 CT (10:1 CT at 1hour Duty)
 - . 10:1 VT (20:1 VT at 50% load)
 - . CHP up to 1.5 times base speed, NEMA MG1 Part31
3. Class I, Division 1, Group C&D
 - . Temp.Code(Sine wave) : T3 at 40°C Amb./T2D at 55°C Amb.
 - T4 with Winding Temperature Detector
4. Class II, Division 1, Group F&G
 - . Temp.Code(Sine wave) : T3B

Date	DSND	CHKD	CHKD	APPD
2024-08-08	S.H. Lee	I.K. Kim	R.G. Kim	S.W. Kim


[Note] Others not mentioned in this data sheet shall be in accordance with maker standard.
 Above technical data are only design values and shall be guaranteed with tolerance of applicable standard.
 Inspection and performance test shall be done according to maker standard, if not mentioned.
 * In case of Inverter-Fed Motor, performance data is based on sine wave tests. It may be different from test data of Inverter combined motor.
 ** Data is based on rated voltage & frequency and is expressed as a percentage of full-load value.


1	2	3	4
REV	DATE	CONTENTS	REVD BY


4.72

CROWN TRITON
Premium Efficiency AC 3 Phase Motor

Explosion Proof








50HP	4P	230/460V	Cat. No.	IXHHI50-18-326TC	Amps	117/58.5	
Model	LATER		INS. Class	F HD-F1	Hertz	60Hz	
Type	XJP	Duty	CONT	Code	J	NEMA Norm. Eff.	94.5%
Frame	326TC	Encl.	TEFC	S.F.	1.15	3/4 Eff.	93.5%
Bearing	Drive	6313ZC3	S.F.	1.00	on sine wave power	NEMA Design	B Torque
	Opp.	6211ZC3	RPM	1780	on PWM or IGBT power	Amb.	40°C
Usable at	50Hz 40HP 380V 63.8A 1480rpm S.F.: 1.0 Eff.: 92.3% Code: J						
	50Hz 40HP 400/415V 62.2/61.4A 1480/1480rpm S.F.: 1.0 Eff.: 92.3/92.3% Code: K/L						
UL Certified for	Class I, Div. 1, Group C&D / Class I, Zone 1, Group IIA & IIB				Temp. Code	T3 at 40°C Amb. / T2D at 55°C Amb.	
	10:1VT(20:1 at 50% load) 4:1CT(10:1 1hour duty at lowest RPM)					T4 With Thermostat	
No.	-		Date	-		Weight	560 lb

4M-136067
(NEMA 320~444Fr.)

Made in Korea H1



2.36

APPD BY	S.Y.KIM	UNIT	INCH	SUBJECT	UL Class I, Division1 (IXHHI)	DWG SIZE
CHKD BY	I.K.KIM	SCALE	NONE			A4 (1:1)
CHKD BY	R.G.KIM	PROJEC'N	3rd Angle	TITLE NAMEPLATE DRAWING		
DSND BY	S.H.LEE	DATE	2024.06.07			

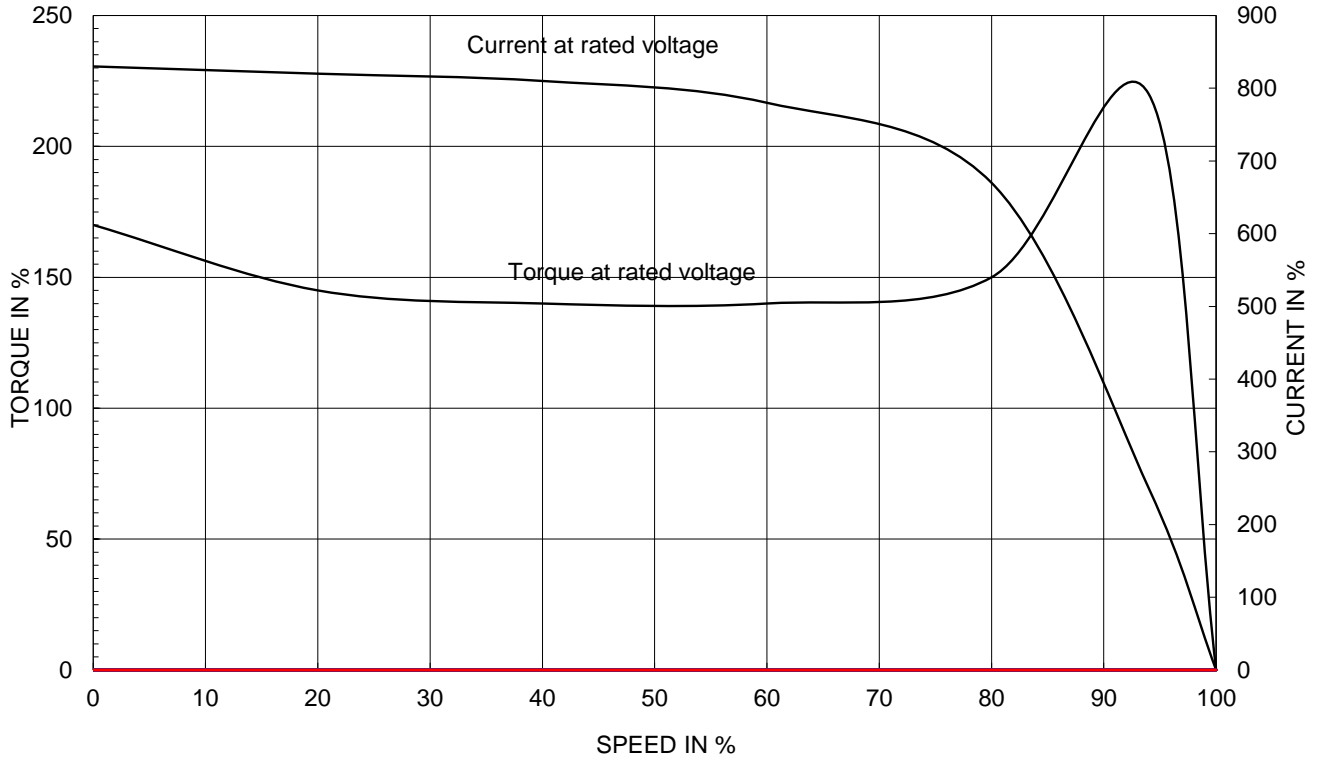


REF. NO	4M-136067	Sheet No.	of
DWG NO	NP-IXHHI50-18-326TC	Revision No.	0

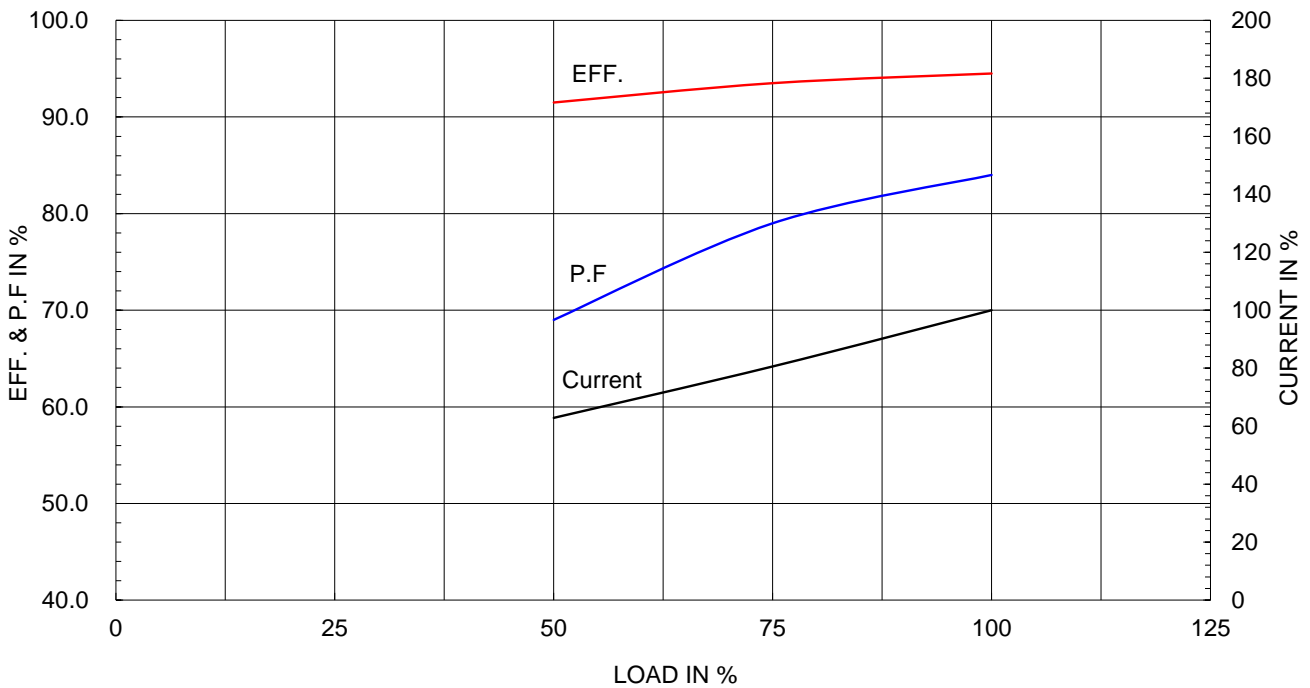
Type :	XJP
Full Load Torque :	146.4 lb.ft
Load moment of Inertia (J) :	278.234 lb.ft2
Motor moment of Inertia (J) :	8.307 lb.ft2

37kW 50HP	4 P	60 Hz
Speed at Full Load :		1780 RPM
Rated Voltage	575V	460V 230V
Full Load Current	46.8A	58.5A 117.0A

SPEED VS TORQUE & CURRENT CURVE



OUTPUT VS EFF., P.F & CURRENT CURVE

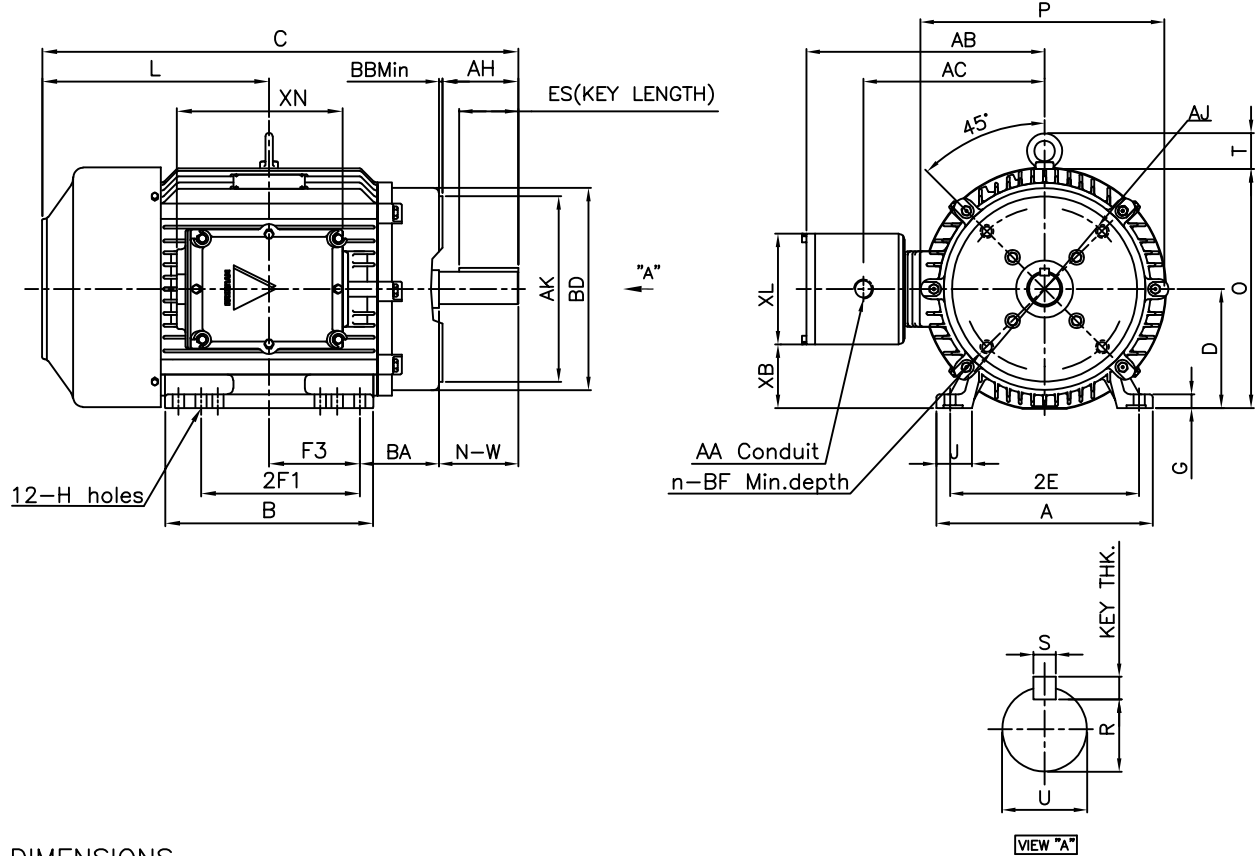


본 도면은 HD현대일렉트릭(주) 재산이며 허가없이 복사할 수 없음 (취급유의)

THIS DRAWING IS PROPRIETARY TO HYUNDAI ELECTRIC. NO PART OF THIS DRAWING MAYBE REPRODUCED WITHOUT THE PERMISSION OF HYUNDAI ELECTRIC.

▽	50S	REV	DATE	CONTENTS	REVD BY	CHKD BY	CHKD BY	APPD BY
▽▽	12.5S							
▽▽▽	3.2S							
▽▽▽▽	0.4S							

Class I Division 1



DIMENSIONS

MOUNTING									CONDUIT BOX						APPROX. WGT.(LB)
A	B	2E	2F1	2F2	F3	G	J	H	AA	AB	AC	XB	XL	XN	
14.33	13.78	12.50	12.00	-	6.99	1.11	2.36	0.66	2.00	15.27	11.02	3.94	7.87	11.26	560

OVERALL							SHAFT					KEY THK.	BEARING	
BA	C	D	L	O	P	T	U	N-W	KEYWAY				DRIVE END	OPP. DRIVE END
									R	ES	S			
5.25	33.03	8.00	15.55	16.19	15.84	2.41	2.125	5.25	1.845	3.91	0.500	0.500	6313ZC3	6211ZC3

C-FACE						
AJ	AK	BD	BB	BF	n	AH
11.00	12.50	13.27	0.25	5/8-11	4	5.00

NOTE

- 1.Dimension "D" tolerance : +0.00inch ~ -0.03inch (143TC-365TC) : +0.000inch ~ -0.06inch (404TC-449TC)
- 2.Dimension "U" tolerance : +0.000inch ~ -0.0005inch (143TC-215TC) : +0.000inch ~ -0.001inch (254TC-449TC)
- 3.Dimension "R" tolerance : +0.000inch ~ - 0.015inch
- 4.Dimension "AK" tolerance : +0.000inch ~ -0.003inch (143TC-286TC) : +0.000inch ~ -0.005inch (324TC-449TC)

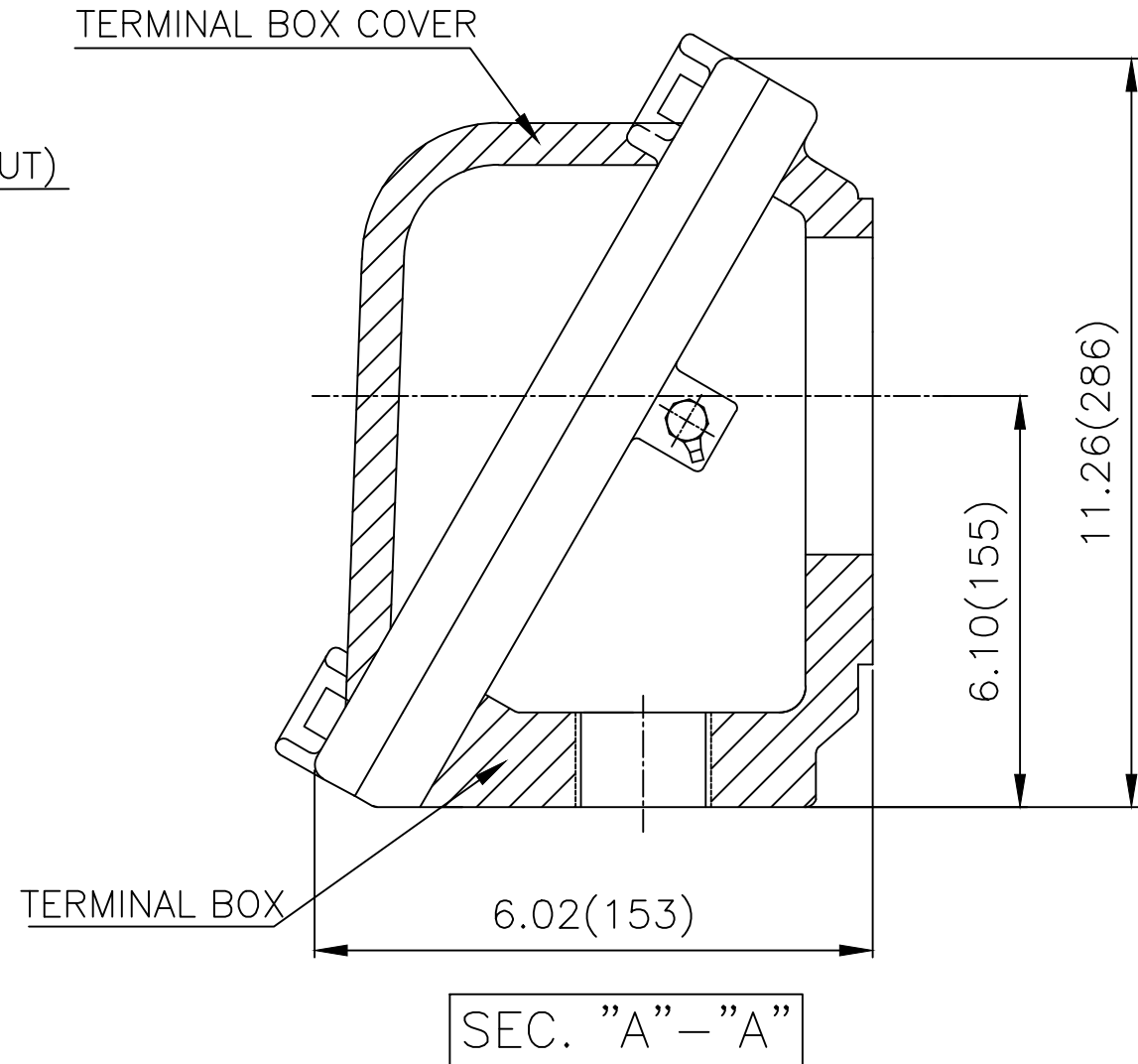
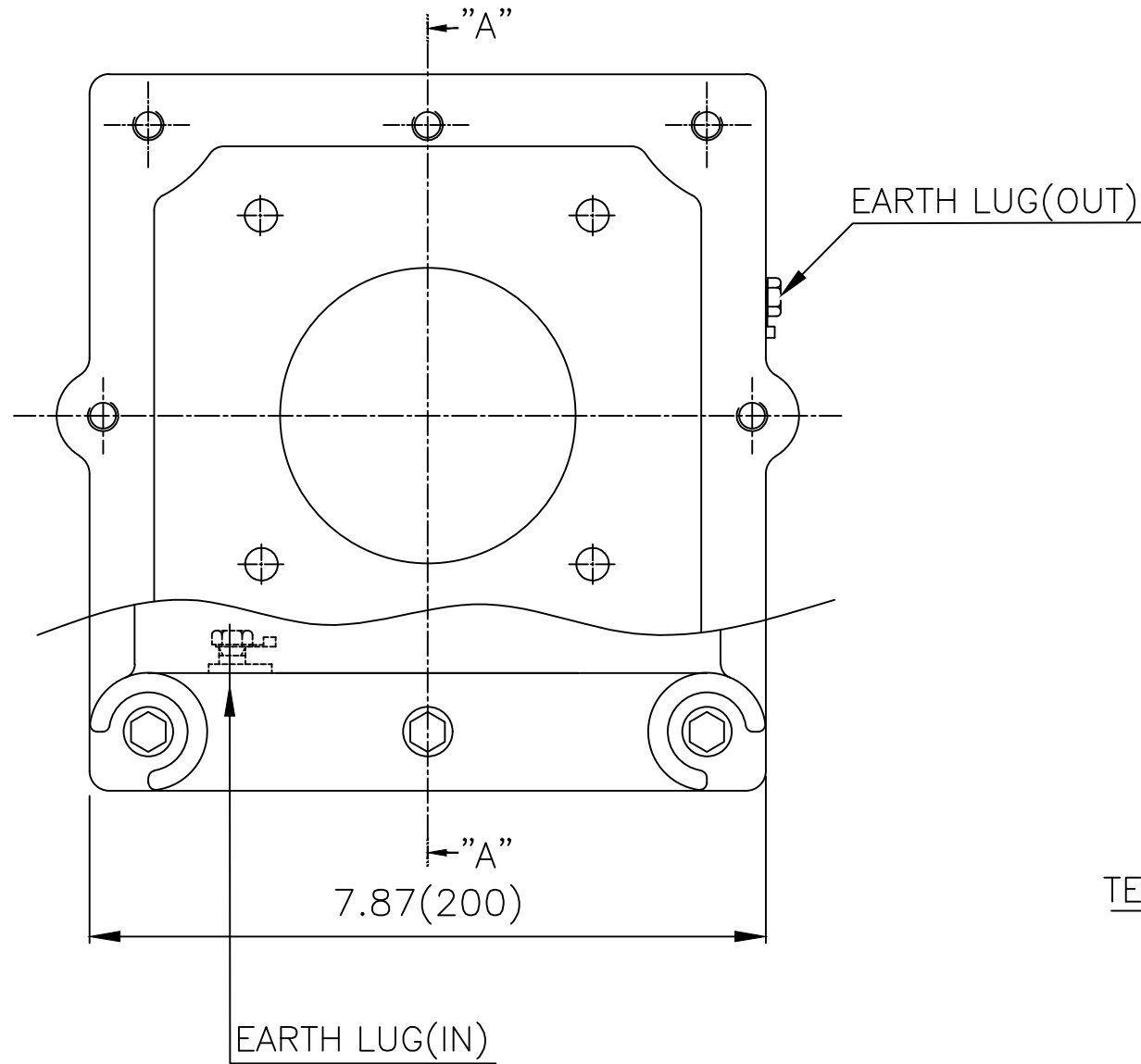
APPD BY	S.Y.KIM	UNIT	inch	SUBJECT	NEMA 326TC	DWG SIZE	A4 (1:13)
CHKD BY	R.G.KIM	SCALE	1/10	TITLE	OUTLINE		
CHKD BY		PROJEC'N	3rd Angle				
DSND BY	J.H.JEON	DATE	2021-04-15				



REF. NO	.	Sheet No.	of
DWG NO	LM-U0326C4TL001	Revision No.	0



Cls. I Div. 1



▽	50S
▽▽	12.5S
▽▽▽	3.2S
▽▽▽▽	0.4S

REV	DATE	CONTENTS	REVD BY	CHKD BY	CHKD BY	APPD BY

일반가공공차		일반제관공차	
1-4	±0.1	6-30	±0.5
4-18	±0.2	30-120	±0.8
18-63	±0.3	120-315	±1.2
63-250	±0.5	315-1000	±2.0
250-	±0.8	1000-	±3.0

Q'TY	DESCRIPTION	MATERIAL	DIMENSION	WEIGHT	PART NO.	REMARK	NO.
APPD BY	S.Y.KIM	UNIT	inch(mm)	SUBJECT	NEMA FR. 320(CAST IRON)		DWG SIZE
CHKD BY	R.G.KIM	SCALE	1/2	TITLE	MAIN TERMINAL BOX ASS'Y		A3 (1:2)
CHKD BY		PROJEC'N	3rd Angle	REF. NO		Sheet No.	of
DSND BY	김은진	DATE	2023-11-08	DWG NO	3M-248631	Revision No.	0

