

Customer :  
 Project Name :  
 Project No. :  
 Revision No. :

# SPECIFICATION for INDUCTION MOTOR



0		For Bidding			
No.	DATE	DESCRIPTION	PREPARED BY	CHECKED BY	APPROVED BY



# AC INDUCTION MOTOR DATA SHEET

## IEEE841 TYPE

Catalog No.	IEEE350-36-L449TS-IBSHSP	Item No.	Rev. No. [       ]
Project Name		Project No.	Quantity sets

GENERAL SPECIFICATION		PERFORMANCE DATA		
Frame Size	L449TS	Rated Output	260 kW      350 HP	
Type	PJP	Number of Poles	2	
Enclosure(Protection)	Totally Enclosed / IP55	Rotor Type	Squirrel Cage	
Method of Cooling	IC411(FC)	Starting Method*	D.O.L	
Rated Frequency	60 Hz	Rated Voltage	575 V	460 V      230 V
Number of Phases	3	Current	Full Load	302.8 A      378.5 A      757.0 A
Insulation Class	F		Locked-rotor**	700 %      700 %      700 %
Temp. Rise at full load (by resistance method)		Efficiency		
at 1.0 S.F	80 deg. C	50% Load      92.8 %		
Motor Location	<input type="checkbox"/> Indoor <input type="checkbox"/> Outdoor	75% Load      94.8 %		
Altitude	Less than 1,000 meter	100% Load      95.8 %		
Relative Humidity	Less than 80 %	Power Factor(p.u)		
Ambient Temp.	40 deg. C (Max.)	50% Load      0.750		
Duty Type	Continuous ( S1 )	75% Load      0.850		
Service Factor	1.15	100% Load      0.900		
Mounting	B3	Speed at Full Load	3570 r.p.m	
Bearing	Type	Anti-Friction	Torque	
	DE/N-DE	6315C3 / 6315C3-INS.	Full Load	513.1 lb.ft
	Lubricant	Grease(Polyrex-EM)	Locked-rotor**	130 %
External Thrust	Not applicable		Breakdown**	225 %
Coupling Method	<input checked="" type="checkbox"/> Direct <input type="checkbox"/> V-belt	Moment of Inertia (J)		
Shaft Extension	Single	Load(Max.)	281.000 lb.ft2	
Terminal Box	Main	Cast Iron	Motor	50.550 lb.ft2
	Aux.	Yes	Sound Pressure Level (No-load & mean value at 1m from motor)	
Location	Refer to Outline Drawing	87 dB(A)		
Application		Vibration      3.8 mm/sec (peak)		
Area classification	Hazardous	Permissible number of consecutive starts	Cold	2 times
Type of Ex-Protection	Class I&II, Division 2		Hot	1 time
Applicable Standard	IEEE841, NEMA MG1, CSA C390	Paint	Munsell No.	7.5BG6/1.5

ACCESSORIES
*. Space Heater : 1EA/Motor

SPARE PARTS
1. Spare Axial Fan (C.W Direction)

SUBMITTAL DRAWING		
Outline Dimension Drawing	Motor Weight(Approx.)	
B3	LM-I044XB3CE001	3090 lb.

REMARK
<ol style="list-style-type: none"> <li>1. Premium efficiency according to NEMA MG1</li> <li>2. Inverter Duty @ 1.0 Service Factor &amp; F Temperature rise               <ul style="list-style-type: none"> <li>-. 10:1 VT (20:1 VT at 50% load)</li> <li>-. 10:1 CT</li> <li>-. CHp up to 1.5 times base speed, NEMA MG1 Part31</li> </ul> </li> <li>3. NDE side : Insulated bearing</li> <li>4. CSA Certification               <ul style="list-style-type: none"> <li>-. Class I, Division 2, Group A, B, C &amp; D; Temp code : T3</li> <li>-. Class II, Division 2 Group F &amp; G; Temp code : T3</li> </ul> </li> <li>5. Uni-directional CCW viewed from drive end.</li> </ol>

Date	DSND	CHKD	CHKD	APPD
2024-09-22	E.J.LEE	I.K. Kim	R.G. Kim	S.W. Kim

[Note] Others not mentioned in this data sheet shall be in accordance with maker standard.  
 Above technical data are only design values and shall be guaranteed with tolerance of applicable standard.  
 Inspection and performance test shall be done according to maker standard, if not mentioned.  
 \* In case of Inverter-Fed Motor, performance data is based on sine wave tests. It may be different from test data of Inverter combined motor.  
 \*\* Data is based on rated voltage & frequency and is expressed as a percentage of full-load value.

본 도면은 HD현대일렉트릭(주) 재산이며  
허가없이 복사할 수 없음 (취급주의)

THIS DRAWING IS PROPRIETARY TO HYUNDAI ELECTRIC. NO PART OF THIS DRAWING  
MAYBE REPRODUCED WITHOUT THE PERMISSION OF HYUNDAI ELECTRIC.


**4.72**

<b>CROWN TRITON</b>					
<b>Premium Efficiency AC 3 Phase Motor</b>		US Energy Verified	CC038A		
350HP 2P 460V	Cat. No. IEE350-36-L449TS-IBSHSP				
Model LATER	INS. Class F	Amps	378.5		
Type PJP	Duty CONT	Code G	Amb. 40°C	Hertz	60Hz
Frame L449TS	Encl. TEFC	S.F. 1.15	RPM 3570	NEMA Nom. Eff.	95.8%
Bearing	Drive 6315C3	S.F.1.00 (10:1 C.T., 20:1 V.T., NEMA-MG1 Part31)		3/4 Eff.	94.8%
	Opp. 6315C3-INS.			NEMA Design	B
Usable at	50Hz 300HP 380V 396.49A 2970rpm S.F.: 1.0 Eff.: 95.8% Code: G				
	50Hz 300HP 400/415V 380.9/367.09A 2972/2975rpm S.F.: 1.0 Eff.: 95.8/95.81% Code: H/H				
CSA Certified for	CLASS I, Div. 2, Gr. A, B, C & D		CLASS II, Div. 2, Gr. F & G		Temp. Code
	CLASS I, Zone 2, Gr. IIA, IIB, & IIC				(sine wave)
					Frame L440FR - 500FR
No. -	Date -	Weight	3090 lb		
<b>IEEE Std 841-2021</b>		<b>MARINE DUTY IEE45</b>			
4M-136054		Made in Korea H1			

APPD BY	S.Y.KIM	UNIT	INCH	SUBJECT	CSA Class I, Division2 IEE841 (XL)	DWG SIZE
CHKD BY	I.K.KIM	SCALE	NONE	TITLE	<b>NAMEPLATE DRAWING</b>	A4 ( 1:1 )
CHKD BY	R.G.KIM	PROJEC'N	3rd Angle			
DSND BY	S.H.LEE	DATE	2024.06.07			
				REF. NO	<b>4M-136054</b>	Sheet No. of
				DWG NO	NP-IEE350-36-L449TS-IBSHSP	Revision No. <b>0</b>



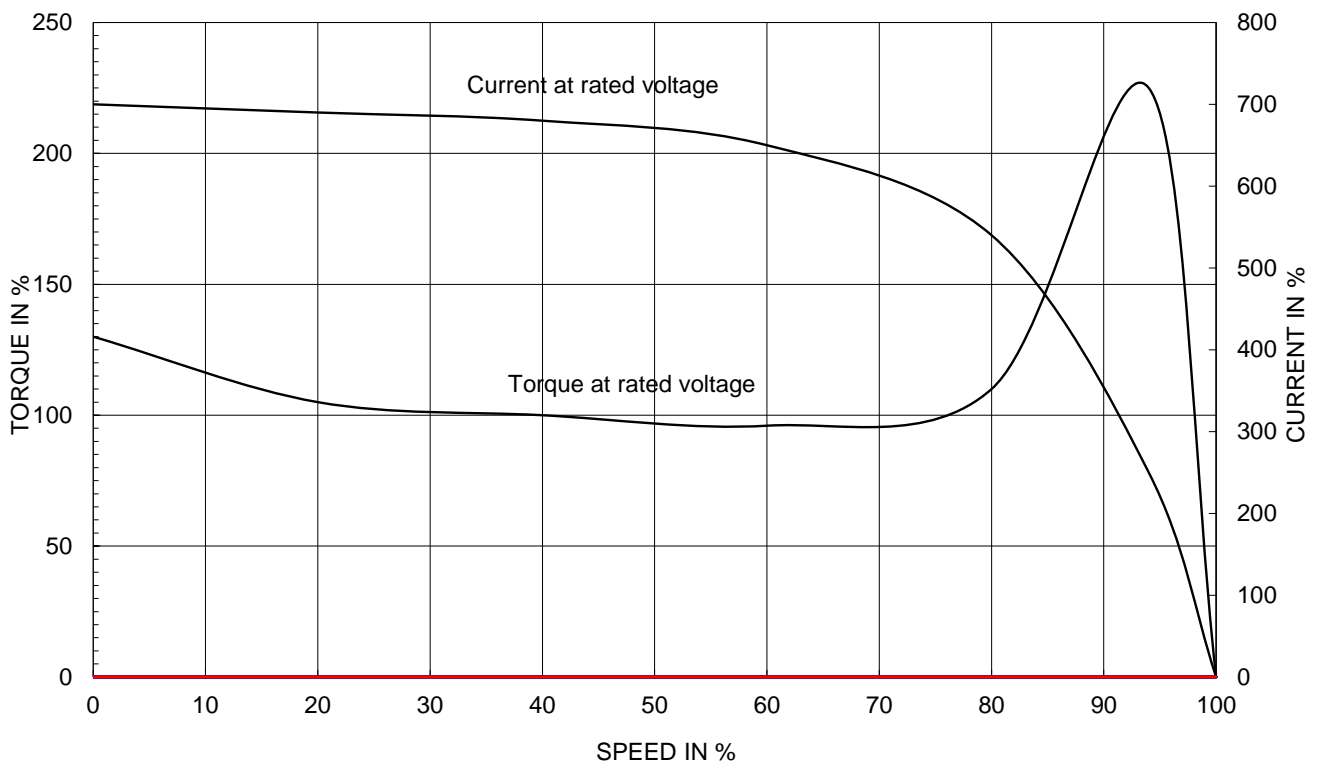
# PERFORMANCE CURVE

CURVE NO.  
PC-IEEE350-36-L449TS-IBSHSP

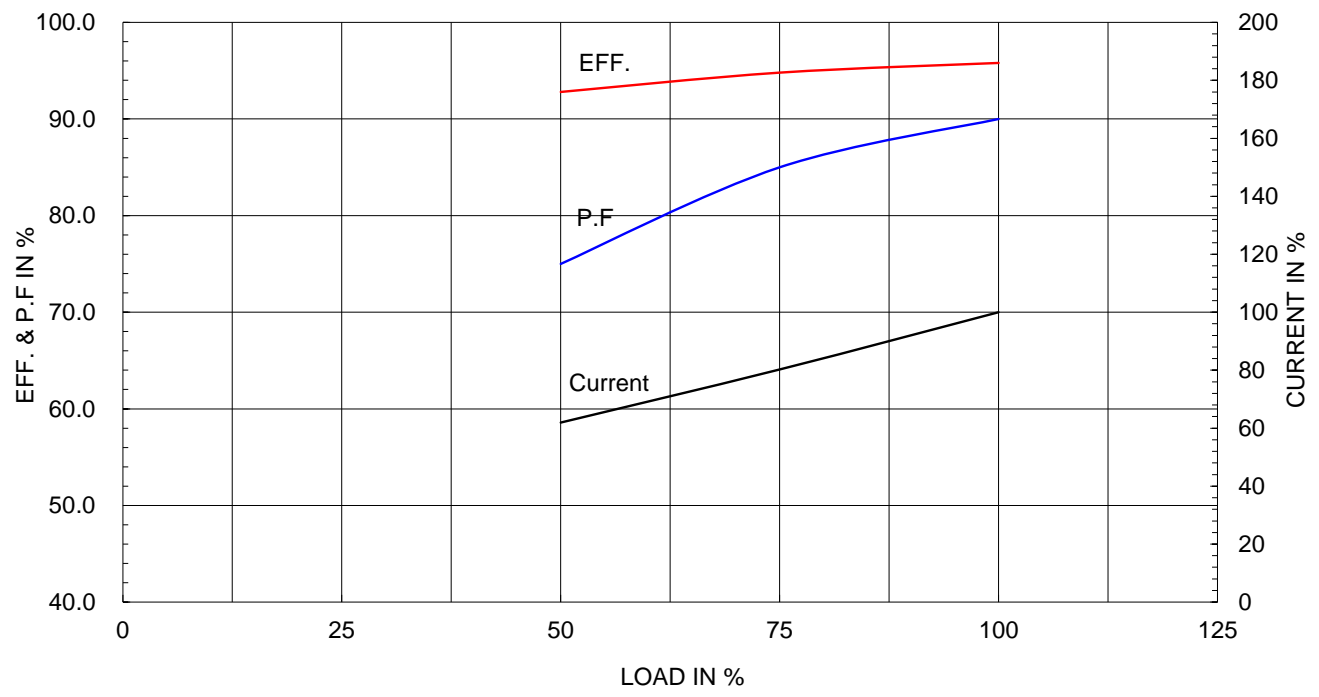
Type :	PJP
Full Load Torque :	513.1 lb.ft
Load moment of Inertia (J) :	281.000 lb.ft2
Motor moment of Inertia (J) :	50.550 lb.ft2

260kW 350HP	2 P	60 Hz
Speed at Full Load :		3570 RPM
Rated Voltage	575V	460V 230V
Full Load Current	302.8A	378.5A 757.0A

SPEED VS TORQUE & CURRENT CURVE



OUTPUT VS EFF., P.F & CURRENT CURVE

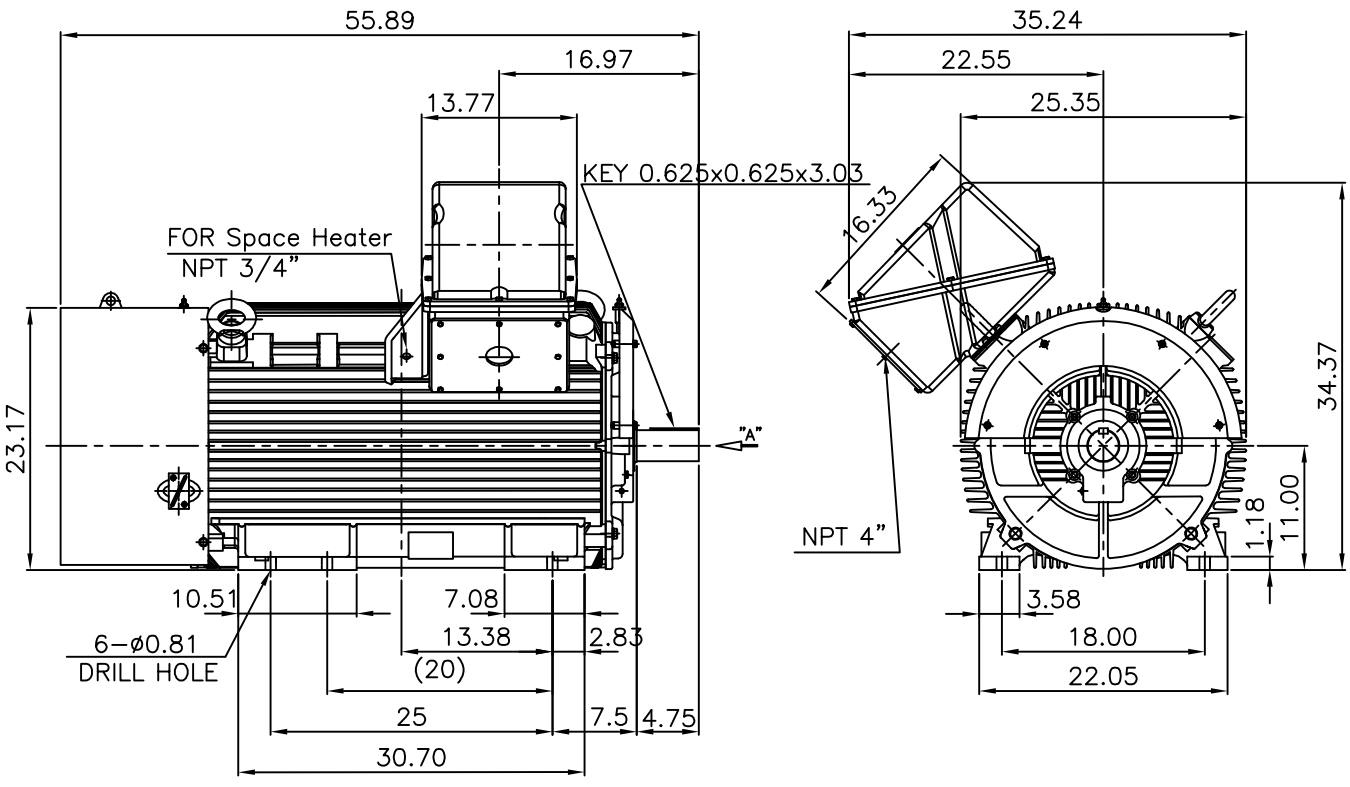


본 도면은 HD현대일렉트릭(주) 재산이며 허가없이 복사할 수 없음 (취급주의)

THIS DRAWING IS PROPRIETARY TO HYUNDAI ELECTRIC. NO PART OF THIS DRAWING MAYBE REPRODUCED WITHOUT THE PERMISSION OF HYUNDAI ELECTRIC.

▽	50S	REV	DATE	CONTENTS	REVD BY	CHKD BY	CHKD BY	APPD BY
▽▽	12.5S							
▽▽▽	3.2S							
▽▽▽▽	0.4S							

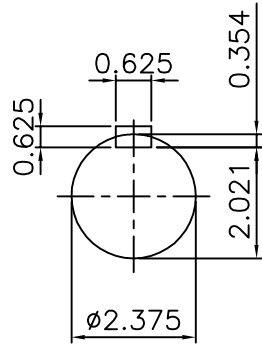
**IEEE841**



**NOTE**

1.TOLERANCE :

CENTER HEIGHT	11	+0.000	-0.060
SHAFT DIAMETER	ø2.375	+0.000	-0.001
KEYWAY WIDTH	0.625	+0.002	-0.000



VIEW "A"

APPD BY	S.Y.KIM	UNIT	INCH	SUBJECT	Fr.L449TS	DWG SIZE	A4 (1:18)
CHKD BY	O.J.KIM	SCALE	1/18	TITLE	OUTLINE	REF. NO	Sheet No. of
CHKD BY	R.G.KIM	PROJEC'N	3각법(3rd Angle)				
DSND BY	H.K.LEE	DATE	2021-04-27				
				DWG NO	LM-I044XB3CE001	Revision No. 0	

**Cls. I&II, Div. 2  
IEEE 841**



SEC. "A" - "A"

REV	DATE	CONTENTS	REVD BY	CHKD BY	CHKD BY	APPD BY

APPD BY	S.Y.KIM	UNIT	inch(mm)	SUBJECT	FR. L440 (CAST IRON)	DWG SIZE
CHKD BY		SCALE	1/3.5	TITLE	MAIN TERMINAL BOX ASS'Y	A3 (1:3.5)
CHKD BY	R.G.KIM	PROJEC'N	3rd Angle			
DSND BY	최승희	DATE	2023-10-19	REF. NO		Sheet No. of
				DWG NO	3M-248452	Revision No. 0

# Cls. I&II, Div. 2

## IEEE 841



REV	DATE	CONTENTS	REVD BY	CHKD BY	CHKD BY	APPD BY

APPD BY	S.Y.KIM	UNIT	inch(mm)	SUBJECT	FR.180 (CAST IRON)	DWG SIZE	A3 (1:1.1)
CHKD BY		SCALE	1/1	TITLE	SUB. TERMINAL BOX ASS'Y		
CHKD BY	R.G.KIM	PROJEC'N	3rd Angle	REF. NO		Sheet No.	of
DSND BY	배승희	DATE	2024-01-18	DWG NO	3M-165278	Revision No.	0

