

Customer :
Project Name :
Project No. :
Revision No. :

SPECIFICATION for INDUCTION MOTOR



0		For Bidding			
No.	DATE	DESCRIPTION	PREPARED BY	CHECKED BY	APPROVED BY



AC INDUCTION MOTOR DATA SHEET

Catalog No.	HES1-18-143T	Item No.	Rev. No.	[]
Project Name		Project No.	Quantity	sets

GENERAL SPECIFICATION			PERFORMANCE DATA			
Frame Size	143T	Rated Output	0.75 kW		1 HP	
Type	PJP	Number of Poles	4			
Enclosure(Protection)	Totally Enclosed / IP55	Rotor Type	Squirrel Cage			
Method of Cooling	IC411(FC)	Starting Method*	D.O.L			
Rated Frequency	60 Hz	Rated Voltage	575 V	460 V	230 V	
Number of Phases	3	Current	Full Load	1.26 A	1.57 A	
Insulation Class	F		Locked-rotor**	930 %	930 %	930 %
Temp. Rise at full load (by resistance method)		Efficiency				
at 1.0 S.F	80 deg. C	50% Load		82.5 %		
Motor Location	<input type="checkbox"/> Indoor <input type="checkbox"/> Outdoor	75% Load		84.5 %		
Altitude	Less than 1,000 meter	100% Load		85.5 %		
Relative Humidity	Less than 80 %	Power Factor(p.u)				
Ambient Temp.	40 deg. C (Max.)	50% Load		0.550		
Duty Type	Continuous (S1)	75% Load		0.650		
Service Factor	1.15	100% Load		0.700		
Mounting	B3	Speed at Full Load		1755 r.p.m		
Bearing	Type	Anti-Friction				
	DE/N-DE	6205ZZC3 / 6204ZZC3				
	Lubricant	Grease(Polyrex-EM)				
External Thrust	Not applicable					
Coupling Method	<input checked="" type="checkbox"/> Direct <input type="checkbox"/> V-belt	Torque				
Shaft Extension	Single	Full Load		3.0 lb.ft		
Terminal Box	Main	Locked-rotor**		280 %		
	Aux.	Breakdown**		310 %		
Location	Refer to Outline Drawing	Moment of Inertia (J)				
Application		Load(Max.)		7.910 lb.ft2		
Area classification	Hazardous	Motor		0.059 lb.ft2		
Type of Ex-Protection	Class I&II, Division 2	Sound Pressure Level (No-load & mean value at 1m from motor)				
Applicable Standard	NEMA MG1, CSA C390			56 dB(A)		
ACCESSORIES		Vibration				
		3.8 mm/sec (peak)				
		Permissible number of consecutive starts		Cold		3 times
				Hot		2 times
		Paint	Munsell No.	4.0PB5.4/5.5(VL-451)		

ACCESSORIES	SUBMITTAL DRAWING
	Outline Dimension Drawing \ Motor Weight(Approx.)
	B3 LM-T2143B3PLV23 55 lb.

SPARE PARTS	REMARK
	1. Premium efficiency according to NEMA MG1
	2. Inverter Duty @ 1.0 Service Factor & F Temperature rise
	- 10:1 VT (20:1 VT at 50% load)
	- 10:1 CT
	- CHP up to 1.5 times base speed, NEMA MG1 Part31
3. CSA Certification	
- Class I, Division 2, Group A, B, C & D	
- Class II, Division 2 Group E, F & G (Group E : up to 320Fr.)	
4. Service Factor 1.15 and Temperature rise B are applicable under the condition of sine wave power.	
5. Service Factor 1.25 is applicable to motors of 100HP or less with temperature rise F & Non-Hazardous.	
	Date DSND CHKD CHKD APPD
	2024-07-13 S.H. Lee I.K. Kim R.G. Kim S.W. Kim

[Note] Others not mentioned in this data sheet shall be in accordance with maker standard.
 Above technical data are only design values and shall be guaranteed with tolerance of applicable standard.
 Inspection and performance test shall be done according to maker standard, if not mentioned.
 * In case of Inverter-Fed Motor, performance data is based on sine wave tests. It may be different from test data of Inverter combined motor.
 ** Data is based on rated voltage & frequency and is expressed as a percentage of full-load value.

1	2	3	4
REV	DATE	CONTENTS	REVD BY

3.94

CROWN TRITON G2 Premium Efficiency AC 3 Phase Motor Cat. No. HES1-18-143T

1HP	4P	230/460V	Amps	3.15/1.57	Type	HLS	Amb.	40°C	
Frame	143T	Duty	CONT	Encl.	TEFC	Model	HLS143SL235	NEMA Nom. Eff.	85.5%
RPM	1755	Hertz	60Hz	S.F.	1.15	INS. Class	F HD-F1	3/4 Eff.	84.5%
Bearing	Drive	6205ZZC3	S.F.1.25 (When 100HP or less, Temp Rise F & Non-Hazardous)				NEMA Design	B	
	Opp.	6204ZZC3	S.F.1.00 (10:1 C.T., 20:1 V.T., NEMA-MG1 Part31)				Code	L	
Usable at	50Hz 0.75HP 380V 1.7A 1455rpm S.F.: 1.0 Eff.: 77.1% Code: L								
	50Hz 0.75HP 400/415V 1.7/1.8A 1460/1465rpm S.F.: 1.0 Eff.: 77.1/77.1% Code: L/L								
CSA Certified for	Model	LATER	Type	PJP	Temp. Code	Frame	140-320FR	CE	
	CLASS I, Div. 2, Gr. A, B, C & D		CLASS II, Div. 2, Gr. E, F & G		(Sine Wave)	Amb.40°C	T3C (160°C)		
	CLASS I, Zone 2, Gr. IIA, IIB & IIC		(Gr. E: up to 320FR)			Amb.55°C	T3A (180°C)		
No.	-	Date	-	Weight	55 lb				
4M-136021		MARINE DUTY IEEE45		Made in Vietnam H4 Designed By HYUNDAI, Korea		HD HYUNDAI ELECTRIC		ABS APPROVED PRODUCT	

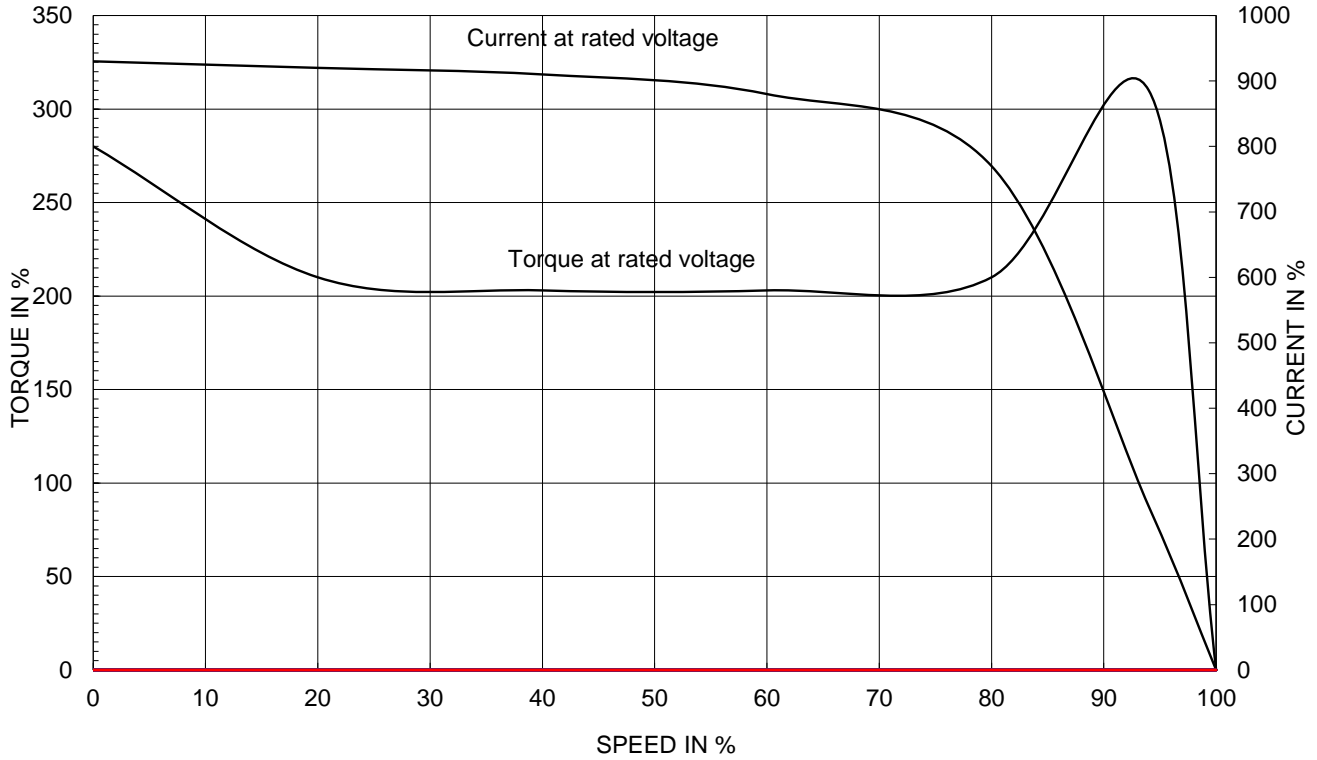
1.57

APPD BY	S.Y.KIM	UNIT	INCH	SUBJECT	CSA Class I, Division2 Severe Duty (HES, 143-215)	DWG SIZE	A4 (1:1)
CHKD BY	I.K.KIM	SCALE	NONE				
CHKD BY	R.G.KIM	PROJEC'N	3rd Angle	TITLE NAMEPLATE DRAWING			
DSND BY	S.H.LEE	DATE	2024.06.07				
				REF. NO	4M-136021	Sheet No. of	
				DWG NO	NP-HES1-18-143T	Revision No. 0	

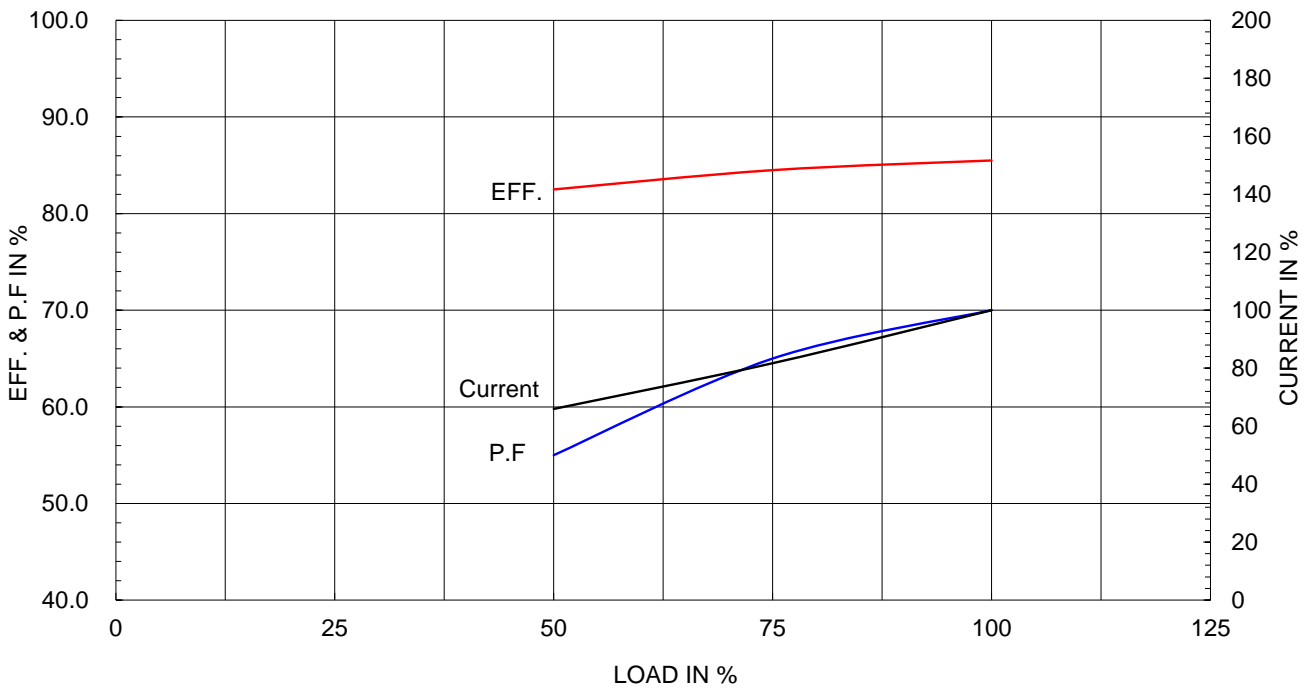
Type :	PJP
Full Load Torque :	3.0 lb.ft
Load moment of Inertia (J) :	7.910 lb.ft ²
Motor moment of Inertia (J) :	0.059 lb.ft ²

0.75kW	1HP	4 P	60 Hz
Speed at Full Load :			1755 RPM
Rated Voltage	575V	460V	230V
Full Load Current	1.3A	1.6A	3.1A

SPEED VS TORQUE & CURRENT CURVE



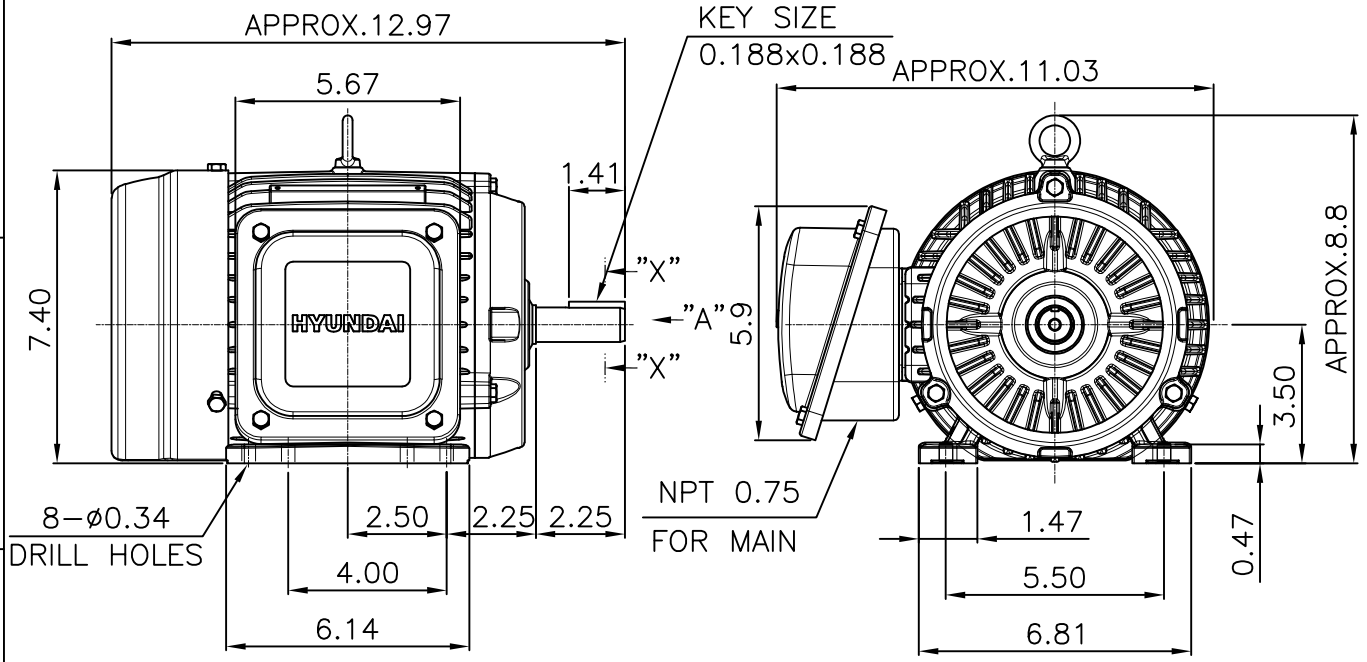
OUTPUT VS EFF., P.F & CURRENT CURVE



본 도면은 HD현대일렉트릭(주) 재산이며 허가없이 복사할 수 없음 (취급유의)

THIS DRAWING IS PROPRIETARY TO HYUNDAI ELECTRIC. NO PART OF THIS DRAWING MAYBE REPRODUCED WITHOUT THE PERMISSION OF HYUNDAI ELECTRIC.

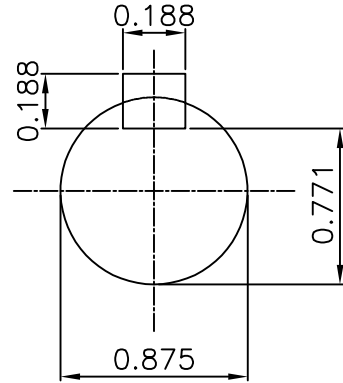
▽	50S	REV	DATE	CONTENTS	REVD BY	CHKD BY	CHKD BY	APPD BY
▽▽	12.5S							
▽▽▽	3.2S							
▽▽▽▽	0.4S							



VIEW "A"

NOTE
[TOLERANCE]

- CENTER HEIGHT : +0.00inch - 0.03inch
- SHAFT DIAMETER : +0.000inch - 0.0005inch
- KEYWAY DEPTH : +0.000inch - 0.015inch



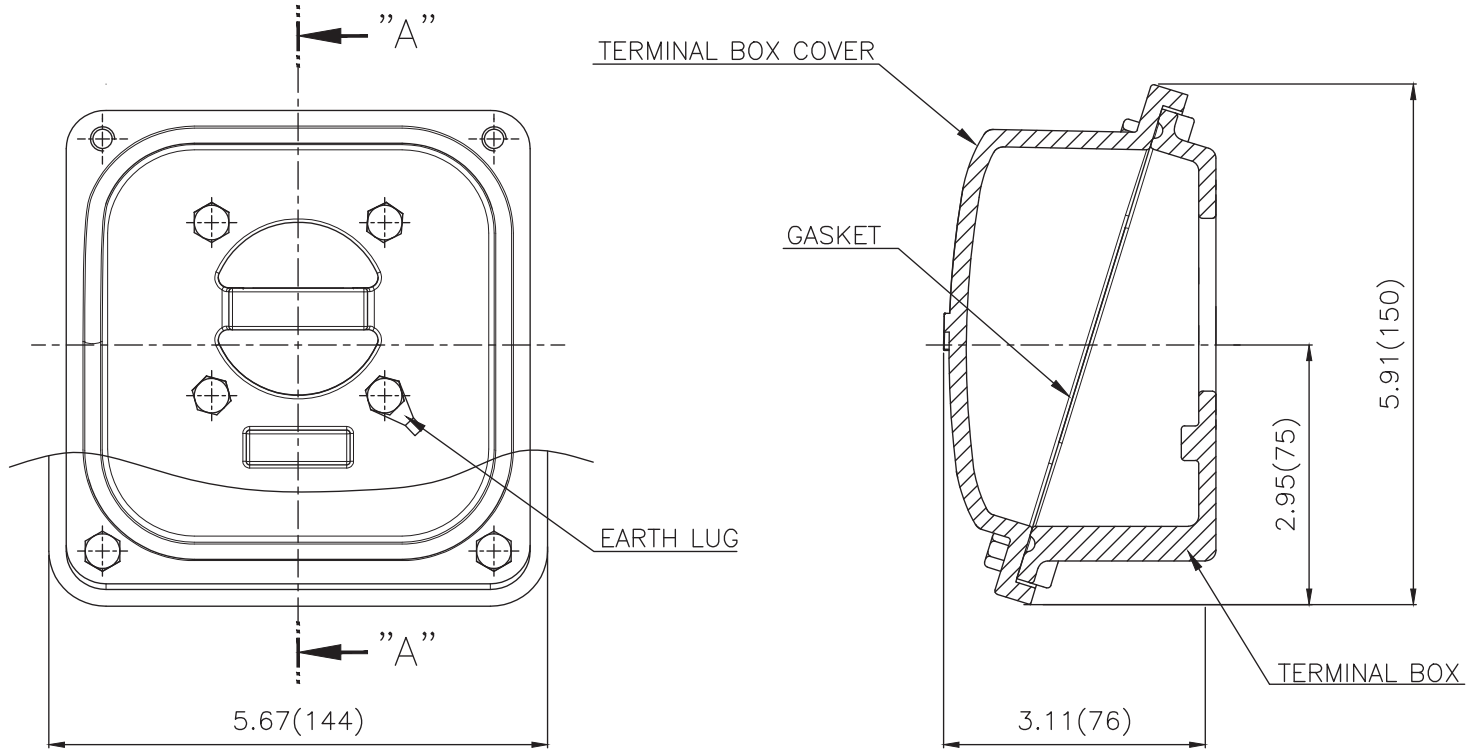
SECTION "X-X"
SCALE 5/5

APPD BY	S.Y.KIM	UNIT	mm	SUBJECT	NEMA 143T	DWG SIZE	
CHKD BY	R.G.KIM	SCALE	1/5	TITLE	OUTLINE	A4 (15)	
CHKD BY		PROJEC'N	3rd Angle	REF. NO		Sheet No.	of
DSND BY	주유림	DATE	2021-04-28	DWG NO		LM-T2143B3PLV23	Revision No.





**Cls. I&II, Div. 2
IEEE 841**



SEC. "A"-"A"

▽	50S
▽▽	12.5S
▽▽▽	3.2S
▽▽▽▽	0.4S

REV	DATE	CONTENTS	REVD BY	CHKD BY	CHKD BY	APPD BY

일반가공공차		일반제관공차	
1-4	±0.1	6-30	±0.5
4-18	±0.2	30-120	±0.8
18-63	±0.3	120-315	±1.2
63-250	±0.5	315-1000	±2.0
250-	±0.8	1000-	±3.0

Q'TY	DESCRIPTION	MATERIAL	DIMENSION	WEIGHT	PART NO.	REMARK	NO.
APPD BY	S.Y.KIM	UNIT	inch(mm)	SUBJECT	FR. 140-180 (CAST IRON)	DWG SIZE	
CHKD BY		SCALE	1/1.5	TITLE	TERMINAL BOX ASS'Y		
CHKD BY	R.G.KIM	PROJEC'N	3rd Angle	DATE	2023-10-19		
DSND BY	배승희						
REF. NO		Sheet No.	of	DWG NO	3M-248456	Revision No.	0

